

80% Single Stage Heating Furnace

EASIER TO SELL

- 80% AFUE
- Flame roll-out sensors standard
- Category I venting
- Blocked vent switch
- Louvered door
- 24 VAC and 115 VAC humidifier terminal
- Electronic air cleaner terminal
- Twinning furnaces of same heating and cooling sizes with approved kit
- N8MSL California NOx approved
- Certified to leak 2 percent or less of nominal air conditioning CFM delivered when pressurized to 1-inch Water Gauge with all present air inlets, air outlets, and condensate drain port(s) sealed

TOUGHER

- PSC blower motor
- Adjustable heating blower OFF delay
- Factory set blower ON delay
- RPJ aluminized steel heat exchanger
- High temperature limit control prevents overheating
- Direct ignition with Silicon Nitride ignitor
- One piece prepainted steel cabinet

QUIETER

- In-shot burners

EASIER TO INSTALL AND SERVICE

- 33 1/3" (847mm) high, for ease of installation
- Innovative knobs for easy door removal and secure attachment
- Factory shipped for natural gas, with propane gas conversion kits available
- Four position – upflow/downflow/horizontal (left/right) installation
- Three position inducer elbow capability
- Through the casing flue pipe for counterflow applications
- Common venting with other Category I appliances
- Masonry chimney adapter available
- Self diagnostics
- Slide out blower assembly

WARRANTY *

- 20 year heat exchanger limited warranty
- 5 year parts limited warranty
- With timely registration, an additional 5 year parts limited warranty
- * For owner occupied, residential applications only. See warranty certificate for complete details and restrictions, including warranty coverage for other applications.



Illustrations and photographs are only representative. Some product models may vary.

WARNING

This furnace is not designed for use in mobile homes, trailers, or recreational vehicles. Such use could result in property damage and/or death.



Use of the AHRI Certified TM Mark indicates a manufacturer's participation in the program. For verification of certification for individual products, go to www.ahridirectory.org.



ISO 9001
QMI-SAI Global

| Model | Size | Input (MBTUH) | Efficiency AFUE | Cooling Capacity CFM range @ .5 in. w.c. (125 Pa) | Dimensions H x W x D Inches (Millimeters) | Shipping Wt. Lbs(Kg) |
|----------------|----------|---------------|-----------------|---|---|----------------------|
| N8MSN N8MSL | 0451408A | 44,000 | 80% | 580-835 | 33-1/3 x 14-3/16 x 29 (847 x 360 x 737) | 107 (49) |
| | 0451412A | 44,000 | 80% | 1040-1160 | 33-1/3 x 14-3/16 x 29 (847 x 360 x 737) | 107 (49) |
| | 0701408A | 66,000 | 80% | 595-870 | 33-1/3 x 14-3/16 x 29 (847 x 360 x 737) | 111 (50) |
| | 0701412A | 66,000 | 80% | 1050-1200 | 33-1/3 x 14-3/16 x 29 (847 x 360 x 737) | 115 (52) |
| | 0701716A | 66,000 | 80% | 1240-1505 | 33-1/3 x 17-1/2 x 29 (847 x 445 x 737) | 126 (57) |
| | 0901714B | 88,000 | 80% | 1065-1385 | 33-1/3 x 17-1/2 x 29 (847 x 445 x 737) | 127 (58) |
| | 0902116A | 88,000 | 80% | 1375-1635 | 33-1/3 x 21 x 29 (847 x 533 x 737) | 140 (64) |
| | 0902120A | 88,000 | 80% | 1715-2025 | 33-1/3 x 21 x 29 (847 x 533 x 737) | 146 (66) |
| | 1101712A | 110,000 | 80% | 1155-1355 | 33-1/3 x 17-1/2 x 29 (847 x 445 x 737) | 135 (61) |
| | 1102116A | 110,000 | 80% | 1310-1655 | 33-1/3 x 21 x 29 (847 x 533 x 737) | 146 (66) |
| | 1102122A | 110,000 | 80% | 1650-2205 | 33-1/3 x 21 x 29 (847 x 533 x 737) | 152 (69) |
| | 1352116A | 132,000 | 80% | 1380-1710 | 33-1/3 x 21 x 29 (847 x 533 x 737) | 149 (68) |
| | 1352422A | 132,000 | 80% | 1705-2160 | 33-1/3 x 24-1/2 x 29 (847 x 622 x 737) | 163 (74) |
| | 1552420A | 154,000 | 80% | 1695-2215 | 33-1/3 x 24-1/2 x 29 (847 x 622 x 737) | 170 (77) |

| MODEL NUMBER IDENTIFICATION GUIDE | | | | | | | | | | |
|--|----------|-------------------|----------|---------------------------------------|----------|----------------------|-----------|--|----------|----------|
| DIGIT POSITION | 1 | 2 | 3 | 4 | 5 | 6,7,8 | 9,10 | 11,12 | 13 | 14 |
| | N | 8 | M | S | L | 045 | 14 | 12 | A | 1 |
| N = Entry | | EFFICIENCY | | POSITION | | HEAT INPUT | | | | |
| 8 = 80% AFUE | | M = Multiposition | | V = Variable Speed Blower Motor – ECM | | X = ECM Blower Motor | | S = Single-stage | | |
| | | | | T = Two-stage | | TYPE | | | | |
| N = Standard | | | | L = Low NOx | | FEATURE | | | | |
| 045 = 44,000 BTU/hr | | | | 070 = 66,000 BTU/hr | | | | | | |
| 090 = 88,000 BTU/hr | | | | 110 = 110,000 BTU/hr | | | | | | |
| 135 = 132,000 BTU/hr | | | | 155 = 154,000 BTU/hr | | HEAT INPUT | | | | |
| 14 = 14–3/16" | | | | 17 = 17–1/2" | | | | | | |
| 21 = 21" | | | | 24 = 24–1/2" | | CABINET WIDTH | | | | |
| 08 = 800 CFM | | | | 12 = 1200 CFM | | | | | | |
| 14 = 1400 CFM | | | | 16 = 1600 CFM | | | | | | |
| 20 = 2000 CFM | | | | 22 = 2200 CFM | | | | | | |
| | | | | | | | | NOMINAL MAXIMUM COOLING AIRFLOW @ .5 IN. W.C. | | |
| SALES (MAJOR) REVISION DIGIT | | | | | | | | | | |
| ENGINEERING (MINOR) REVISION DIGIT | | | | | | | | | | |

ECM—Electronically Commutated Motor

| ACCESSORIES PART NUMBER IDENTIFICATION GUIDE | | | | | | | |
|--|----------|-----------------|----------|----------------------|------------|---------------------|-----------|
| DIGIT POSITION | 1 | 2 | 3 | 4 | 5, 6, 7 | 8, 9 | 10, 11 |
| | N | A | H | A | 001 | 01 | DH |
| N = Non-Branded | | BRANDING | | PRODUCT GROUP | | | |
| A = Accessory | | | | H = Heating | | KIT USAGE | |
| A = Original | | | | B = 2nd Generation | | MAJOR SERIES | |
| Product Identifier Number | | | | Package Quantity | | | |
| Type of Kit (Example: DH = Draft Hood – Chimney Adapter) | | | | | | | |

| PHYSICAL DATA | | | | | | | | |
|--|-------------------------------|----------------------------|------------------|------------------|------------------|------------------|------------------|------------------|
| NATURAL GAS | | 0451408A | 0451412A | 0701408A | 0701412A | 0701716A | 0901714B | 0902116A |
| OUTPUT CAPACITY BTUH* (Nonweatherized ICS) † | N8MSL Upflow; All N8MSN | 35,000 | 36,000 | 53,000 | 54,000 | 53,000 | 71,000 | 71,000 |
| | N8MSL Downflow/ Horizontal | 34,000 | 34,000 | 51,000 | 51,000 | 51,000 | 68,000 | 68,000 |
| INPUT BTUH* | N8MSL Upflow; All N8MSN | 44,000 | 44,000 | 66,000 | 66,000 | 66,000 | 88,000 | 88,000 |
| | N8MSL Downflow/ Horizontal | 42,000 | 42,000 | 63,000 | 63,000 | 63,000 | 84,000 | 84,000 |
| AFUE%* | Nonweatherized ICS | 80.0 | 80.0 | 80.0 | 80.0 | 80.0 | 80.0 | 80.0 |
| TRANSFORMER (24 volt) | | 40 VA | | | | | | |
| CERTIFIED TEMP RISE RANGE °F (°C) | | 30–60 (17–33) | 20–50 (11–28) | 40–70 (22–39) | 30–60 (17–33) | 25–55 (14–30) | 40–70 (22–39) | 30–60 (17–33) |
| CERTIFIED EXT STATIC PRESSURE | Heating | 0.10 | 0.10 | 0.12 | 0.12 | 0.12 | 0.15 | 0.15 |
| | Cooling | 0.50 | 0.50 | 0.50 | 0.50 | 0.50 | 0.50 | 0.50 |
| AIRFLOW CFM‡ | Heating | 865 | 1250 | 720 | 1195 | 1350 | 1345 | 1505 |
| | Cooling | 835 | 1160 | 870 | 1200 | 1505 | 1385 | 1635 |
| LIMIT CONTROL | | SPST | | | | | | |
| HEATING BLOWER CONTROL | | Solid-State Time Operation | | | | | | |
| BURNERS (Monoport) | | 2 | 2 | 3 | 3 | 3 | 4 | 4 |
| GAS CONNECTION SIZE | | 1/2 inch NPT | | | | | | |
| GAS VALVE (Redundant) Manufacturer | | White-Rodgers | | | | | | |
| Minimum Inlet Pressure (in. w.c.) | | 4.5 (Natural Gas) | | | | | | |
| Maximum Inlet Pressure (in. w.c.) | | 13.6 (Natural Gas) | | | | | | |
| IGNITION DEVICE | | Hot Surface | | | | | | |
| COOLING CAPACITY CFM range (.5 in. w.c.) | | 580–835 | 1040–1160 | 595–870 | 1050–1200 | 1240–1505 | 1065–1385 | 1375–1635 |
| NATURAL GAS | | 0902120A | 1101712A | 1102116A | 1102122A | 1352116A | 1352422A | 1552420A |
| OUTPUT CAPACITY BTUH* (Nonweatherized ICS) † | N8MSL Upflow; All N8MSN | 71,000 | 89,000 | 89,000 | 89,000 | 107,000 | 107,000 | 125,000 |
| | N8MSL Downflow/ Horizontal | 68,000 | 85,000 | 85,000 | 85,000 | 102,000 | 102,000 | 119,000 |
| INPUT BTUH* | N8MSL Upflow; All N8MSN | 88,000 | 110,000 | 110,000 | 110,000 | 132,000 | 132,000 | 154,000 |
| | N8MSL Downflow/ Horizontal | 84,000 | 105,000 | 105,000 | 105,000 | 126,000 | 126,000 | 147,000 |
| AFUE%* | Nonweatherized ICS | 80.0 | 80.0 | 80.0 | 80.0 | 80.0 | 80.0 | 80.0 |
| TRANSFORMER (24 volt) | | 40 VA | | | | | | |
| CERTIFIED TEMP RISE RANGE °F (°C) | | 25–55 (14–30) | 50–80 (28–44) | 40–70 (22–39) | 30–60 (17–33) | 50–80 (28–44) | 40–70 (22–39) | 45–75 (25–41) |
| CERTIFIED EXT STATIC PRESSURE | Heating | 0.15 | 0.20 | 0.20 | 0.20 | 0.20 | 0.20 | 0.20 |
| | Cooling | 0.50 | 0.50 | 0.50 | 0.50 | 0.50 | 0.50 | 0.50 |
| AIRFLOW CFM‡ | Heating | 1900 | 1295 | 1515 | 1840 | 1480 | 1830 | 1790 |
| | Cooling | 2025 | 1355 | 1655 | 2160 | 1710 | 2085 | 2215 |
| LIMIT CONTROL | | SPST | | | | | | |
| HEATING BLOWER CONTROL | | Solid-State Time Operation | | | | | | |
| BURNERS (Monoport) | | 4 | 5 | 5 | 5 | 6 | 6 | 7 |
| GAS CONNECTION SIZE | | 1/2 inch NPT | | | | | | |
| GAS VALVE (Redundant) Manufacturer | | White-Rodgers | | | | | | |
| Minimum Inlet Pressure (in. w.c.) | | 4.5 (Natural Gas) | | | | | | |
| Maximum Inlet Pressure (in. w.c.) | | 13.6 (Natural Gas) | | | | | | |
| IGNITION DEVICE | | Hot Surface | | | | | | |
| COOLING CAPACITY CFM range (.5 in. w.c.) | | 1715–2025 | 1155–1355 | 1310–1655 | 1650–2205 | 1380–1710 | 1705–2160 | 1695–2215 |

* Gas input ratings are certified for elevations to 2000 ft. (610 M). In USA, for elevations above 2000 ft. (610 M), reduce ratings 4 percent for each 1000 ft. (305 M) above sea level. Refer to National Fuel Gas Code NFPA 54/ANSI Z223.1–2009 Table F.4 or furnace Installation Instructions.

† Capacity in accordance with U.S. Government DOE test procedures.

‡ Airflow shown is for bottom only return—air supply in comfort mode (as shipped). For air delivery above 1800 CFM, see Air Delivery Table for other options. A filter is required for each return-air supply.

ICS — Isolated Combustion System

ELECTRICAL DATA

| FURNACE SIZE | VOLTS-HERTZ-PHASE | OPERATING VOLTAGE RANGE | | MAXIMUM UNIT AMPS | UNIT AMPACITY# | MAXIMUM WIRE LENGTH FT. (M)‡ | MAXIMUM FUSE OR CKT BKR AMPS† | MINIMUM WIRE GAUGE |
|--------------|-------------------|-------------------------|----------|-------------------|----------------|------------------------------|-------------------------------|--------------------|
| | | Maximum* | Minimum* | | | | | |
| 0451408A | 115-60-1 | 127 | 104 | 5.2 | 7.26 | 49 (15) | 15 | 14 |
| 0451412A | 115-60-1 | 127 | 104 | 7.2 | 9.79 | 37 (12) | 15 | 14 |
| 0701408A | 115-60-1 | 127 | 104 | 5.1 | 7.14 | 51 (16) | 15 | 14 |
| 0701412A | 115-60-1 | 127 | 104 | 7.2 | 9.72 | 38 (12) | 15 | 14 |
| 0701716A | 115-60-1 | 127 | 104 | 9.5 | 12.60 | 29 (9) | 15 | 14 |
| 0901714B | 115-60-1 | 127 | 104 | 8.2 | 10.83 | 34 (10) | 15 | 14 |
| 0902116A | 115-60-1 | 127 | 104 | 10.0 | 13.09 | 28 (9) | 15 | 14 |
| 0902120A | 115-60-1 | 127 | 104 | 14.1 | 18.20 | 31 (9) | 20 | 12 |
| 1101712A | 115-60-1 | 127 | 104 | 8.6 | 11.27 | 32 (10) | 15 | 14 |
| 1102116A | 115-60-1 | 127 | 104 | 10.2 | 13.34 | 27 (9) | 15 | 14 |
| 1102122A | 115-60-1 | 127 | 104 | 15.1 | 19.42 | 29 (8) | 20 | 12 |
| 1352116A | 115-60-1 | 127 | 104 | 10.5 | 13.63 | 27 (8) | 15 | 14 |
| 1352422A | 115-60-1 | 127 | 104 | 14.5 | 18.72 | 30 (9) | 20 | 12 |
| 1552420A | 115-60-1 | 127 | 104 | 15.4 | 19.83 | 29 (9) | 20 | 12 |

* Permissible limits of the voltage range at which the unit operates satisfactorily.

Unit ampacity = 125 percent of largest operating component's full load amps plus 100 percent of all other potential operating components' (EAC, humidifier, etc.) full load amps.

† Time-delay type is recommended.

‡ Length shown is as measured 1 way along wire path between unit and service panel for maximum 2 percent voltage drop.

DIMENSIONS

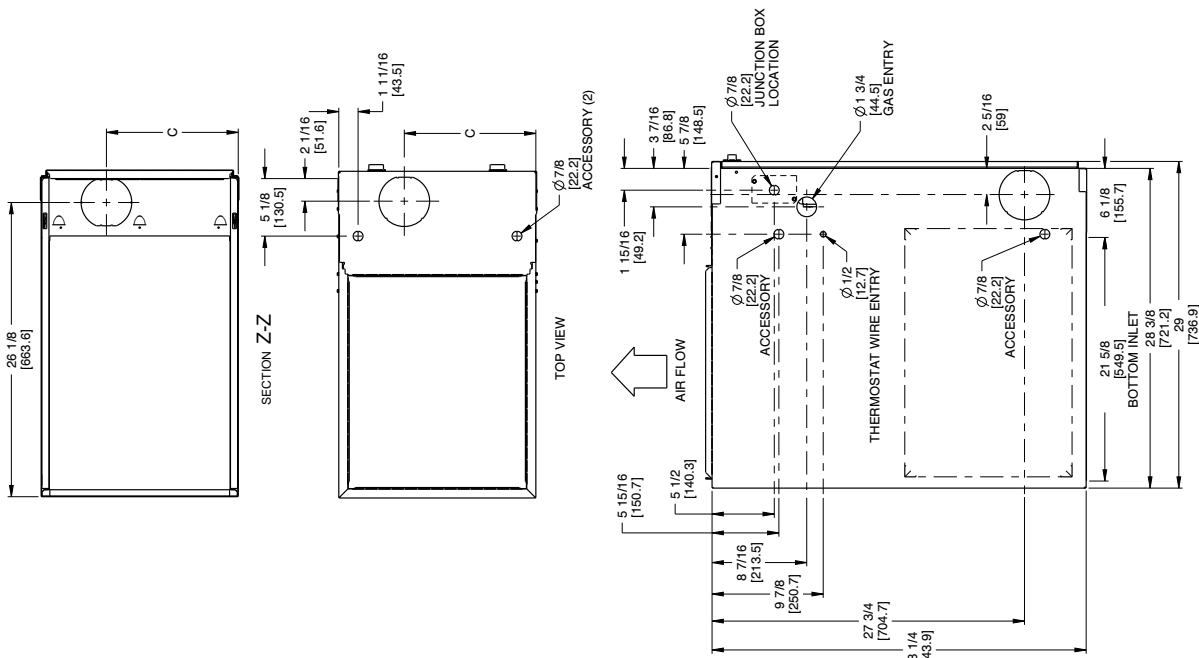
| FURNACE SIZE | A | B | C | D | VENT CONNECTION SIZE IN (mm) | SHIP WT LB (KG) |
|--------------|-----------------------|----------------------|------------------------------------|----------------------|------------------------------|-----------------|
| | CABINET WIDTH IN (mm) | OUTLET WIDTH IN (mm) | TOP AND BOTTOM FLUE COLLAR IN (mm) | BOTTOM WIDTH IN (mm) | | |
| 0451408 | 14-3/16 (360) | 12-9/16 (319) | 9-5/16 (237) | 12-11/16 (322) | 4 (102) | 104 (47) |
| 0451412 | 14-3/16 (360) | 12-9/16 (319) | 9-5/16 (237) | 12-11/16 (322) | 4 (102) | 107 (49) |
| 0701408 | 14-3/16 (360) | 12-9/16 (319) | 9-5/16 (237) | 12-11/16 (322) | 4 (102) | 111 (50) |
| 0701412 | 14-3/16 (360) | 12-9/16 (319) | 9-5/16 (237) | 12-11/16 (322) | 4 (102) | 115 (52) |
| 0701716 | 17-1/2 (445) | 15-7/8 (403) | 11-9/16 (294) | 16-1/8 (406) | 4 (102) | 126 (57) |
| 0901714 | 17-1/2 (445) | 15-7/8 (403) | 11-9/16 (294) | 16-1/8 (406) | 4 (102) | 127 (58) |
| 0902116 | 21 (533) | 19-3/8 (492) | 13-5/16 (338) | 19-1/2 (495) | 4 (102) | 140 (64) |
| 0902120 | 21 (533) | 19-3/8 (492) | 13-5/16 (338) | 19-1/2 (495) | 4 (102) | 146 (66) |
| 1101712 | 17-1/2 (445) | 15-7/8 (403) | 11-9/16 (294) | 16-1/8 (406) | 4 (102) | 135 (61) |
| 1102116 | 21 (533) | 19-3/8 (492) | 13-5/16 (338) | 19-1/2 (495) | 4 (102) | 146 (66) |
| 1102122 | 21 (533) | 19-3/8 (492) | 13-5/16 (338) | 19-1/2 (495) | 4 (102) | 152 (69) |
| 1352116 | 21 (533) | 19-3/8 (492) | 13-5/16 (338) | 19-1/2 (495) | 4 (102)* | 149 (68) |
| 1352422 | 24-1/2 (622) | 22-7/8 (581) | 15-1/16 (383) | 23 (584) | 4 (102)* | 163 (74) |
| 1552420 | 24-1/2 (622) | 22-7/8 (581) | 15-1/16 (383) | 23 (584) | 4 (102)* | 170 (77) |

* 135 Btu/h and 155 Btu/h size furnaces require a 5 or 6-in. (127 or 152 mm) vent. Use a vent adapter between furnace and vent stack. See Installation Instructions for complete installation requirements.

UNIT DIMENSIONS

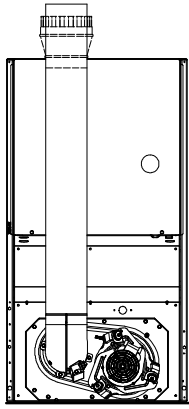
NOTES:

1. Doors may vary by model.
2. Two additional 7/8-in. (22 mm) diameter holes are located in the top plate.
3. Minimum return-air openings at furnace, based on metal duct. If flex duct is used, see flex duct manufacturer's recommendations for equivalent diameters.
 - a. For 800 CFM-16-in. (406 mm) round or 14 1/2 x 12-in. (368 x 305 mm) rectangle.
 - b. For 1200 CFM-20-in. (508 mm) round or 14 1/2 x 19 1/2-in. (368 x 495 mm) rectangle.
 - c. For 1600 CFM-22-in. (559 mm) round or 14 1/2 x 22 1/16-in. (368 x 560mm) rectangle.
- d. Return air above 1800 CFM may require one of the following configurations:
 - 2 sides, 1 side and a bottom or bottom only for return air. See Air Delivery table in this document for specific use to allow for sufficient airflow to the furnace.



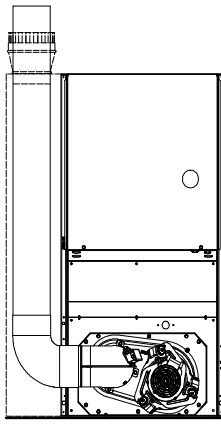
NOTE: ALL DIMENSIONS IN INCH [MM]

DOWNFLOW VENT CONFIGURATIONS



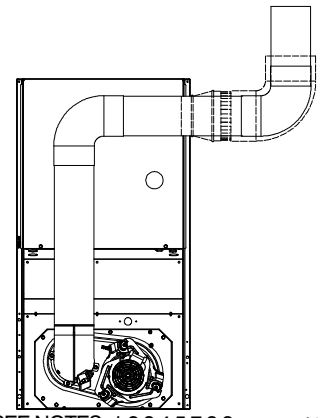
SEE NOTES: 1,2,4,5,7,8,9

A02061



SEE NOTES: 1,2,4,5,6,7,8,9

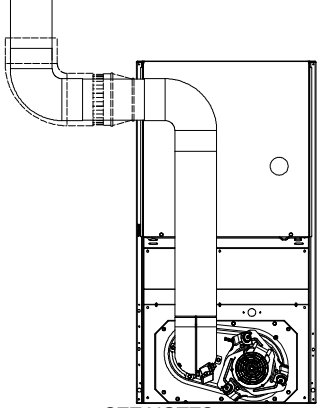
A02062



SEE NOTES: 1,2,3,4,5,7,8,9

A02063

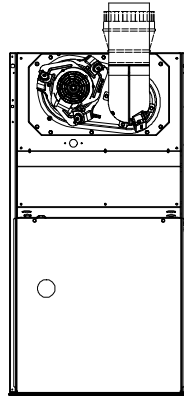
DOWNFLOW CONTINUED



SEE NOTES: 1,2,3,4,5,7,8,9

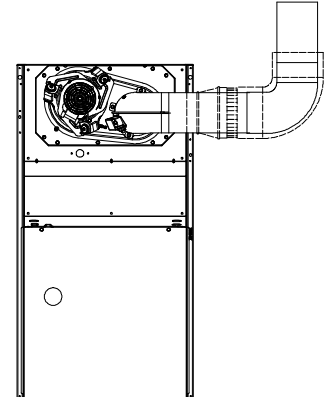
A02060

UPFLOW VENT CONFIGURATIONS



SEE NOTES: 1,2,4,7,8,9

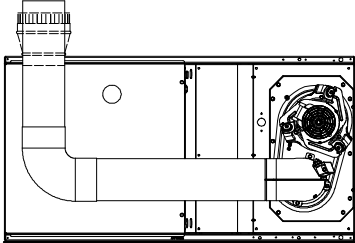
A02058



SEE NOTES: 1,2,3,4,7,8,9

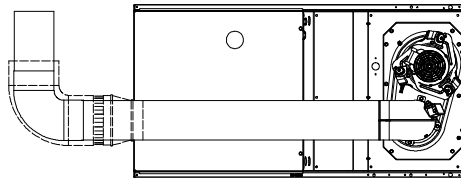
A02059

HORIZONTAL RIGHT VENT CONFIGURATIONS



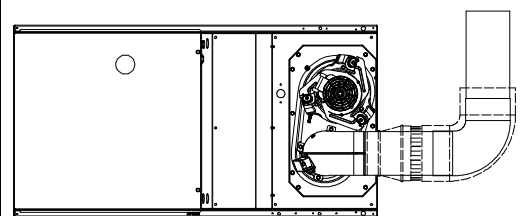
SEE NOTES: 1,2,4,5,7,8,9

A02070



SEE NOTES: 1,2,4,5,7,8,9

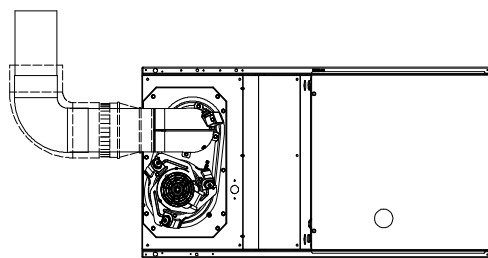
A02068



SEE NOTES: 1,2,4,7,8,9

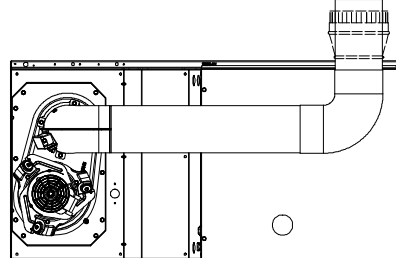
A02069

HORIZONTAL LEFT VENT CONFIGURATIONS



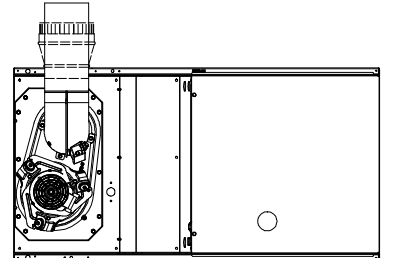
SEE NOTES: 1,2,4,7,8,9

A02064



SEE NOTES: 1,2,4,5,7,8,9

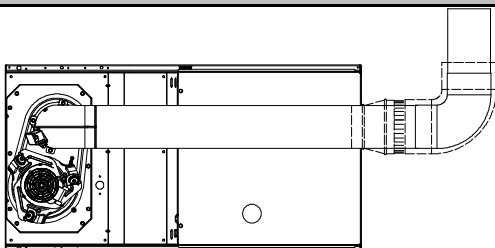
A02065



SEE NOTES: 1,2,4,5,7,8,9

A02066

HORIZONTAL LEFT VENT CONFIGURATIONS



SEE NOTES: 1,2,4,5,7,8,9

A02067

Venting Notes

1. For common vent, vent connector sizing and vent material, use the NFGC.
2. Immediately increase to 5 inch (127 mm) or 6 inch (152 mm) vent connector outside furnace casing when 5 inch (127 mm) vent connector is required, refer to Note 1 above.
3. Side outlet vent for upflow and downflow installations must use Type B vent immediately after exiting the furnace, except when the Downflow Vent Guard Kit, is used in the downflow position
4. Type-B vent where required, refer to the Note 1 above.
5. A 4 inch (102 mm) single-wall (26 ga. minimum) vent must be used inside furnace casing and when the Downflow Vent Guard Kit is used external to the furnace.
6. Accessory Downflow Vent Guard Kit is required in downflow installations with lower vent configuration.
7. Chimney Adapter Kit may be required for exterior masonry chimney applications. Refer to Chimney Adapter Kit for sizing and complete application details.
8. Secure vent connector to furnace elbow with (2) corrosion-resistant sheet metal screws, spaced approximately 180° apart.
9. Secure all other single wall vent connector joints with (3) corrosion resistant screws spaced approximately 120° apart. Secure Type-B vent connectors per vent connector manufacturer's recommendations.

MINIMUM CLEARANCES TO COMBUSTIBLE MATERIALS FOR ALL UNITS

This forced air furnace is equipped for use with natural gas at altitudes 0 – 10,000 ft (0 – 3,050m).

An accessory kit, supplied by the manufacturer, shall be used to convert to propane gas use or may be required for some natural gas applications.

This furnace is for indoor installation in a building constructed on site.

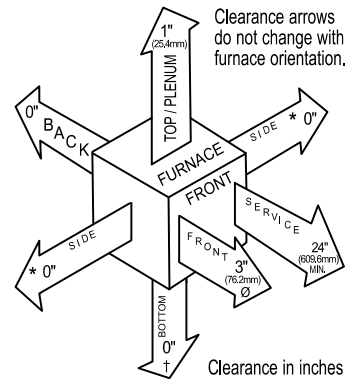
The furnace may be installed on combustible flooring in alcove or closet at minimum clearance as indicated by the diagram from combustible material.

This furnace may be used with a Type B-1 Vent and may be vented in common with other gas fired appliances.

This furnace is approved for UPFLOW, DOWNFLOW, and HORIZONTAL installations.

Downflow Positions:

- † Installation on non-combustible floors only.
For Installation on combustible flooring only when installed on special base or coil assembly.
- ∅ 18 inch front clearance required for alcove.
- * Indicate supply or return sides when furnace is in the horizontal position. Line contact only permissible between lines formed by intersections of the Top and two Sides of the furnace jacket, and building joists, studs or framing.



Vent Clearance to combustibles:
For Single Wall vents 6 inches (6 po).
For Type B-1 vent type 1 inch (1 po).

BLOWER PERFORMANCE DATA

| N8MSN & N8MSL | 0451408A | 0451412A | 0701408A | 0701412A | 0701716A | 0901714B | 0902116A |
|---|-----------------------|----------|----------|----------|-----------------------|-----------------------|------------------------|
| DIRECT-DRIVE MOTOR Hp (PSC) | 1/5 | 1/3 | 1/5 | 1/3 | 1/2 | 1/3 | 1/2 |
| MOTOR FULL LOAD AMPS | 2.8 | 5.2 | 2.8 | 5.2 | 7.1 | 5.2 | 7.1 |
| RPM (Nominal)-Speeds | 1075-3 | 1075-3 | 1075-3 | 1075-3 | 1075-3 | 1075-4 | 1075-3 |
| BLOWER WHEEL DIAMETER X WIDTHS - in. (mm) | 10 x 6 (254 x 152) | | | | 11 x 8 (279 x 203) | 10 x 8 (254 x 203) | 10 x 10 (254 x 254) |

| N8MSN & N8MSL | 0902120A | 1101712A | 1102116A | 1102122A | 1352116A | 1352422A | 1552420A |
|---|------------------------|-----------------------|------------------------|------------------------|------------------------|------------------------|------------------------|
| DIRECT-DRIVE MOTOR Hp (PSC) | 3/4 | 1/3 | 1/2 | 3/4 | 1/2 | 3/4 | 3/4 |
| MOTOR FULL LOAD AMPS | 11.8 | 5.2 | 7.1 | 11.8 | 7.1 | 11.8 | 11.8 |
| RPM (Nominal)-Speeds | 1075-3 | 1075-3 | 1075-3 | 1075-3 | 1075-3 | 1075-3 | 1075-3 |
| BLOWER WHEEL DIAMETER X WIDTHS - in. (mm) | 11 x 11 (279 x 279) | 10 x 8 (254 x 203) | 10 x 10 (254 x 254) | 11 x 11 (279 x 279) | 10 x 10 (254 x 254) | 11 x 11 (279 x 279) | 11 x 11 (279 x 279) |

PSC-Permanent Split Capacitor

| AIR DELIVERY – CFM (with filter)* | | | | | | | | | | | | |
|-----------------------------------|----------------------------------|----------|-------------------------------------|------|------|------|------|------|------|------|------|------|
| FURNACE SIZE | RETURN–AIR INLET | SPEED | EXTERNAL STATIC PRESSURE (in. w.c.) | | | | | | | | | |
| | | | 0.1 | 0.2 | 0.3 | 0.4 | 0.5 | 0.6 | 0.7 | 0.8 | 0.9 | 1.0 |
| 0451408A | Bottom or Side(s) | High | 1035 | 995 | 945 | 895 | 835 | 770 | 675 | 565 | 390 | 195 |
| | | Med–Low | 865 | 830 | 790 | 745 | 690 | 625 | 545 | 440 | 250 | 195 |
| | | Low | 760 | 720 | 680 | 635 | 580 | 520 | 445 | 345 | 220 | 195 |
| 0451412A | Bottom or Side(s) | High | 1440 | 1375 | 1305 | 1240 | 1160 | 1070 | 975 | 870 | 730 | 560 |
| | | Med–Low | 1360 | 1300 | 1240 | 1175 | 1115 | 1040 | 950 | 850 | 725 | 575 |
| | | Low | 1250 | 1210 | 1160 | 1100 | 1040 | 965 | 885 | 790 | 670 | 520 |
| 0701408A | Bottom or Side(s) | High | 1030 | 1005 | 965 | 925 | 870 | 810 | 740 | 645 | 465 | 280 |
| | | Med–Low | 835 | 815 | 790 | 755 | 710 | 660 | 590 | 480 | 325 | 205 |
| | | Low | 725 | 700 | 675 | 635 | 595 | 545 | 460 | 350 | 250 | -- |
| 0701412A | Bottom or Side(s) | High | 1425 | 1375 | 1320 | 1265 | 1200 | 1125 | 1035 | 940 | 830 | 655 |
| | | Med–Low | 1320 | 1280 | 1240 | 1205 | 1140 | 1075 | 995 | 905 | 790 | 620 |
| | | Low | 1200 | 1175 | 1145 | 1105 | 1050 | 990 | 920 | 840 | 725 | 555 |
| 0701716A | Bottom or Side(s) | High | 1755 | 1700 | 1635 | 1570 | 1505 | 1435 | 1350 | 1260 | 1160 | 1055 |
| | | Med–Low | 1550 | 1520 | 1475 | 1430 | 1375 | 1310 | 1240 | 1155 | 1070 | 970 |
| | | Low | 1355 | 1340 | 1310 | 1280 | 1240 | 1190 | 1125 | 1060 | 975 | 890 |
| 0901714B | Bottom or Side(s) | High | 1650 | 1600 | 1535 | 1465 | 1385 | 1285 | 1175 | 1055 | 895 | 645 |
| | | Med–High | 1515 | 1485 | 1440 | 1380 | 1300 | 1220 | 1115 | 990 | 830 | 600 |
| | | Med–Low | 1385 | 1360 | 1320 | 1260 | 1195 | 1120 | 1025 | 915 | 710 | 565 |
| | | Low | 1205 | 1180 | 1160 | 1120 | 1065 | 1005 | 925 | 810 | 630 | 510 |
| 0902116A | Bottom or Side(s) | High | 1940 | 1880 | 1805 | 1720 | 1635 | 1540 | 1425 | 1290 | 1090 | 830 |
| | | Med–Low | 1740 | 1700 | 1650 | 1590 | 1525 | 1440 | 1335 | 1195 | 1010 | 820 |
| | | Low | 1505 | 1505 | 1480 | 1440 | 1375 | 1300 | 1190 | 1045 | 890 | 740 |
| 0902120A | Bottom Only | High | 2405 | 2310 | 2220 | 2130 | 2025 | 1920 | 1790 | 1660 | 1530 | 1350 |
| | | Med–Low | 2170 | 2110 | 2040 | 1970 | 1895 | 1785 | 1675 | 1565 | 1420 | 1260 |
| | | Low | 1920 | 1875 | 1835 | 1780 | 1715 | 1630 | 1535 | 1420 | 1275 | 1135 |
| | Both Sides or 1 Side & Bottom | High | 2530 | 2450 | 2365 | 2270 | 2165 | 2065 | 1940 | 1805 | 1670 | 1505 |
| | | Med–Low | 2230 | 2170 | 2110 | 2050 | 1985 | 1890 | 1780 | 1660 | 1525 | 1360 |
| | | Low | 1895 | 1890 | 1845 | 1815 | 1755 | 1685 | 1600 | 1480 | 1350 | 1180 |
| 1 Side Only | High | 2475 | 2395 | 2300 | 2200 | 2090 | 1985 | 1865 | 1730 | 1585 | 1425 | |
| | Med–Low | 2105 | 2145 | 2070 | 2010 | 1940 | 1845 | 1735 | 1620 | 1475 | 1325 | |
| Low | 1850 | 1860 | 1810 | 1770 | 1715 | 1650 | 1555 | 1445 | 1310 | 1150 | | |
| 1101712A | Bottom or Side(s) | High | 1600 | 1550 | 1490 | 1425 | 1355 | 1260 | 1135 | 990 | 785 | 530 |
| | | Med–Low | 1475 | 1435 | 1395 | 1335 | 1285 | 1185 | 1070 | 890 | 725 | 450 |
| | | Low | 1315 | 1295 | 1265 | 1220 | 1155 | 1080 | 985 | 810 | 675 | 440 |
| 1102116A | Bottom or Side(s) | High | 1980 | 1915 | 1835 | 1750 | 1655 | 1495 | 1365 | 1185 | 965 | 700 |
| | | Med–Low | 1745 | 1710 | 1650 | 1560 | 1450 | 1340 | 1205 | 1090 | 865 | 605 |
| | | Low | 1530 | 1515 | 1470 | 1400 | 1310 | 1215 | 1095 | 990 | 830 | 670 |
| 1102122A | Bottom Only | High | 2485 | 2415 | 2340 | 2255 | 2160 | 2060 | 1950 | 1840 | 1720 | 1565 |
| | | Med–Low | 2135 | 2100 | 2060 | 2000 | 1930 | 1860 | 1765 | 1670 | 1555 | 1425 |
| | | Low | 1855 | 1840 | 1815 | 1775 | 1725 | 1675 | 1600 | 1510 | 1405 | 1290 |
| | Bottom, Sides or 1 Side & Bottom | High | -- | -- | 2355 | 2285 | 2190 | 2090 | 1965 | 1850 | 1705 | 1535 |
| | | Med–Low | 2140 | 2100 | 2050 | 1990 | 1935 | 1865 | 1760 | 1670 | 1545 | 1410 |
| | | Low | 1855 | 1840 | 1815 | 1775 | 1725 | 1675 | 1600 | 1510 | 1405 | 1290 |
| 1 Side Only | High | 2495 | 2440 | 2370 | 2290 | 2205 | 2120 | 2015 | 1910 | 1775 | 1625 | |
| | Med–Low | 2030 | 2025 | 2000 | 1950 | 1905 | 1850 | 1750 | 1660 | 1555 | 1425 | |
| Low | -- | 1735 | 1725 | 1695 | 1650 | 1595 | 1535 | 1455 | 1335 | 1230 | | |
| 1352116A | Bottom or Side(s) | High | 2065 | 2000 | 1930 | 1835 | 1710 | 1590 | 1420 | 1235 | 1025 | 835 |
| | | Med–Low | 1790 | 1755 | 1705 | 1640 | 1550 | 1465 | 1295 | 1145 | 945 | 775 |
| | | Low | 1480 | 1480 | 1480 | 1450 | 1380 | 1295 | 1160 | 1005 | 855 | 670 |
| 1352422A | Bottom Only | High | 2445 | 2365 | 2280 | 2190 | 2085 | 1980 | 1850 | 1705 | 1520 | 1355 |
| | | Med–Low | 2130 | 2080 | 2025 | 1960 | 1880 | 1795 | 1690 | 1550 | 1405 | 1255 |
| | | Low | 1860 | 1830 | 1800 | 1755 | 1705 | 1630 | 1530 | 1415 | 1280 | 1140 |
| | Bottom, Sides or Side & Bottom | High | -- | -- | 2355 | 2280 | 2160 | 2065 | 1930 | 1805 | 1655 | 1465 |
| | | Med–Low | 2120 | 2075 | 1995 | 1970 | 1905 | 1835 | 1735 | 1645 | 1515 | 1325 |
| | | Low | 1860 | 1830 | 1800 | 1755 | 1725 | 1630 | 1530 | 1415 | 1280 | 1140 |
| 1 Side Only | High | -- | -- | 2215 | 2130 | 2030 | 1920 | 1795 | 1675 | 1540 | 1385 | |
| | Med–Low | 2070 | 2015 | 1970 | 1935 | 1855 | 1765 | 1655 | 1550 | 1445 | 1265 | |
| Low | 1860 | 1830 | 1800 | 1755 | 1725 | 1630 | 1530 | 1415 | 1280 | 1140 | | |
| 1552420A | Bottom Only | High | 2465 | 2430 | 2375 | 2305 | 2215 | 2110 | 2000 | 1865 | 1715 | 1530 |
| | | Med–Low | 2115 | 2095 | 2055 | 2005 | 1940 | 1845 | 1820 | 1675 | 1525 | 1390 |
| | | Low | 1800 | 1790 | 1770 | 1735 | 1695 | 1640 | 1570 | 1465 | 1345 | 1225 |
| | Both Sides or 1 Side & Bottom | High | -- | -- | 2375 | 2285 | 2185 | 2105 | 1995 | 1870 | 1720 | 1555 |
| | | Med–Low | 2155 | 2125 | 2075 | 2015 | 1935 | 1830 | 1780 | 1635 | 1485 | 1365 |
| | | Low | 1800 | 1790 | 1770 | 1735 | 1695 | 1640 | 1570 | 1465 | 1345 | 1225 |
| 1 Side Only | High | -- | -- | 2260 | 2180 | 2070 | 1975 | 1865 | 1740 | 1595 | 1440 | |
| | Med–Low | 2140 | 2085 | 2020 | 1950 | 1850 | 1745 | 1695 | 1545 | 1415 | 1290 | |
| Low | 1800 | 1790 | 1770 | 1735 | 1695 | 1640 | 1570 | 1465 | 1345 | 1225 | | |

* A filter is required for each return–air inlet. Airflow performance included 3/4–in. (19 mm) washable filter media such as contained in factory–authorized accessory filter rack. To determine airflow performance without this filter, assume an additional 0.1 in. w.c. available external static pressure.

-- Indicates unstable operating conditions.

| ACCESSORIES | | | | | | | | | | |
|--------------|--|---------|---------|---------|---------|---------|---------|---------|---|---|
| PART | DESCRIPTION | 0451408 | 0451412 | 0701408 | 0701412 | 0701716 | 0901714 | 0902116 | | |
| NAHB00501FF | External Bottom Filter Rack, 14 inch (14 x 25 inch washable filter included) | X | X | X | X | | | | | |
| NAHB00601FF | External Bottom Filter Rack, 17 inch (17 x 25 inch washable filter included) | | | | | X | X | | | |
| NAHB00701FF | External Bottom Filter Rack, 21 inch (20 x 25 inch washable filter included) | | | | | | | | | X |
| NAHA00506FB† | Washable filter, 1 inch 16 x 25 (6 pack) | X | X | X | X | X | X | X | X | X |
| NAHA00706FB | Washable filter, 1 inch 24 x 25 (6 pack) | X | X | X | X | X | X | X | X | X |
| NAHA01001FF | Side Filter Rack 16 x 25 (not adjustable) | X | X | X | X | X | X | X | X | X |
| NAHA01006FF | Filter Rack 16 x 25 (6 packs) | X | X | X | X | X | X | X | X | X |
| NAHA00601WK | Twinning Kit (Upflow, Downflow and Horizontal) | | | | | | | | | |
| NAHA01101SB | Combustible Floor Base (Not required when evaporator coil case is used for downflow) | X | X | X | X | X | X | X | X | X |
| NAHB00301VC | Downflow Vent Guard (Not required when vent is routed through cabinet) | X | X | X | X | X | X | X | X | X |
| NAHA00401DH | Chimney Adapter Kit 4-in. vent | X | X | X | X | X | X | X | X | X |
| NAHC00901LP* | Natural-to-Propane Conversion Kit * | X | X | X | X | X | X | X | X | X |
| NAHA00801NG* | Propane-to-Natural Conversion Kit * | X | X | X | X | X | X | X | X | X |
| NAHB00301WL | Warning Label Kit | X | X | X | X | X | X | X | X | X |

| ACCESSORIES | | | | | | | | | | |
|--------------|--|---------|---------|---------|---------|---------|---------|---------|---|---|
| PART | DESCRIPTION | 0902120 | 1101712 | 1102116 | 1102122 | 1352116 | 1352422 | 1552420 | | |
| NAHB00601FF | External Bottom Filter Rack, 17 inch (17 x 25 inch washable filter included) | | X | | | | | | | |
| NAHB00701FF | External Bottom Filter Rack, 21 inch (20 x 25 inch washable filter included) | X | | X | X | X | | | | |
| NAHB00801FF | External Bottom Filter Rack, 24 inch (24 x 25 inch washable filter included) | | | | | | X | X | | |
| NAHA00506FB† | Washable filter, 1 inch 16 x 25 (6 pack) | | X | | | | | | | |
| NAHA00706FB | Washable filter, 1 inch 24 x 25 (6 pack) | X | X | X | X | X | X | X | X | X |
| NAHA01001FF | Side Filter Rack 16 x 25 (not adjustable) | X | X | X | X | X | X | X | X | X |
| NAHA01006FF | Side Filter Racks 16 x 25 (6 pack) | X | X | X | X | X | X | X | X | X |
| NAHA00601WK | Twinning Kit (Upflow, Downflow and Horizontal) | | | | | | | | | |
| NAHA01101SB | Combustible Floor Base (Not required when evaporator coil case is used for downflow) | X | X | X | X | X | X | X | X | X |
| NAHB00301VC | Downflow Vent Guard (Not required when vent is routed through cabinet) | X | X | X | X | X | X | X | X | X |
| NAHA00401DH | Chimney Adapter Kit 4-in. vent | X | X | X | X | X | X | X | X | X |
| NAHA00301DH | Chimney Adapter Kit 5-in. vent | | | | | X | X | X | X | X |
| NAHC00901LP* | Natural-to-Propane Conversion Kit * | X | X | X | X | X | X | X | X | X |
| NAHA00801NG* | Propane-to-Natural Conversion Kit * | X | X | X | X | X | X | X | X | X |
| NAHB00301WL | Warning Label Kit | X | X | X | X | X | X | X | X | X |

X Accessory available
 † Suitable for side return filter rack and 17 inch external bottom filter rack
 * Factory authorized and field installed. Gas conversion kits are CSA recognized.