

PARTS MANUAL

Gas Furnace

F8MTL, G8MTL

Safety Labeling and Signal Words

DANGER, WARNING, CAUTION, and NOTE

The signal words **DANGER**, **WARNING**, **CAUTION**, and **NOTE** are used to identify levels of hazard seriousness. The signal word **DANGER** is only used on product labels to signify an immediate hazard. The signal words **WARNING**, **CAUTION**, and **NOTE** will be used on product labels and throughout this manual and other manuals that may apply to the product.

DANGER – Immediate hazards which **will** result in severe personal injury or death.

WARNING – Hazards or unsafe practices which **could** result in severe personal injury or death.

CAUTION – Hazards or unsafe practices which **may** result in minor personal injury or product or property damage.

NOTE – Used to highlight suggestions which **will** result in enhanced installation, reliability, or operation.

Signal Words in Manuals

The signal word **WARNING** is used throughout this manual in the following manner:



The signal word **CAUTION** is used throughout this manual in the following manner:



Signal Words on Product Labeling

Signal words are used in combination with colors and/or pictures on product labels.

TABLE OF CONTENTS

Model Number Identification	2
Parts Diagram	3 – 4
Parts	5 – 7

MODELS

F8MTL0451412A1	G8MTL0451412A1
F8MTL0701412A1	G8MTL0701412A1
F8MTL0901714A1	G8MTL0901714A1
F8MTL1102122A1	G8MTL1102122A1
F8MTL1352422A1	G8MTL1352422A1

ELECTRICAL SHOCK HAZARD

Failure to turn off electric power could result in personal injury or death.

Before installing or servicing system, turn off main power to the system. There may be more than one disconnect switch, including accessory heater(s).

MODEL NUMBER IDENTIFICATION GUIDE

DIGIT POSITION	1	2	3	4	5	6,7,8	9,10	11,12	13	14
G or F= Mainline	*	8	M	T	L	045	14	12	A	1
N = Entry	EFFICIENCY		POSITION							
8 = 80% AFUE										
M = Multiposition										
V = Variable Speed Blower Motor - ECM										
X = ECM Blower Motor										
S = Single-stage										
T = Two-stage			TYPE							
N = Standard										
L = Low NOx					FEATURE					
045 = 44,000 BTU/hr										
070 = 66,000 BTU/hr										
090 = 88,000 BTU/hr										
110 = 110,000 BTU/hr										
135 = 132,000 BTU/hr					HEAT INPUT					
14 = 14-3/16"										
17 = 17-1/2"										
21 = 21"										
24 = 24-1/2"					CABINET WIDTH					
08 = 800 CFM										
12 = 1200 CFM										
14 = 1400 CFM										
16 = 1600 CFM										
20 = 2000 CFM										
22 = 2200 CFM					NOMINAL MAXIMUM COOLING AIRFLOW @ .5 IN. W.C.					
SALES (MAJOR) REVISION DIGIT										
ENGINEERING (MINOR) REVISION DIGIT										

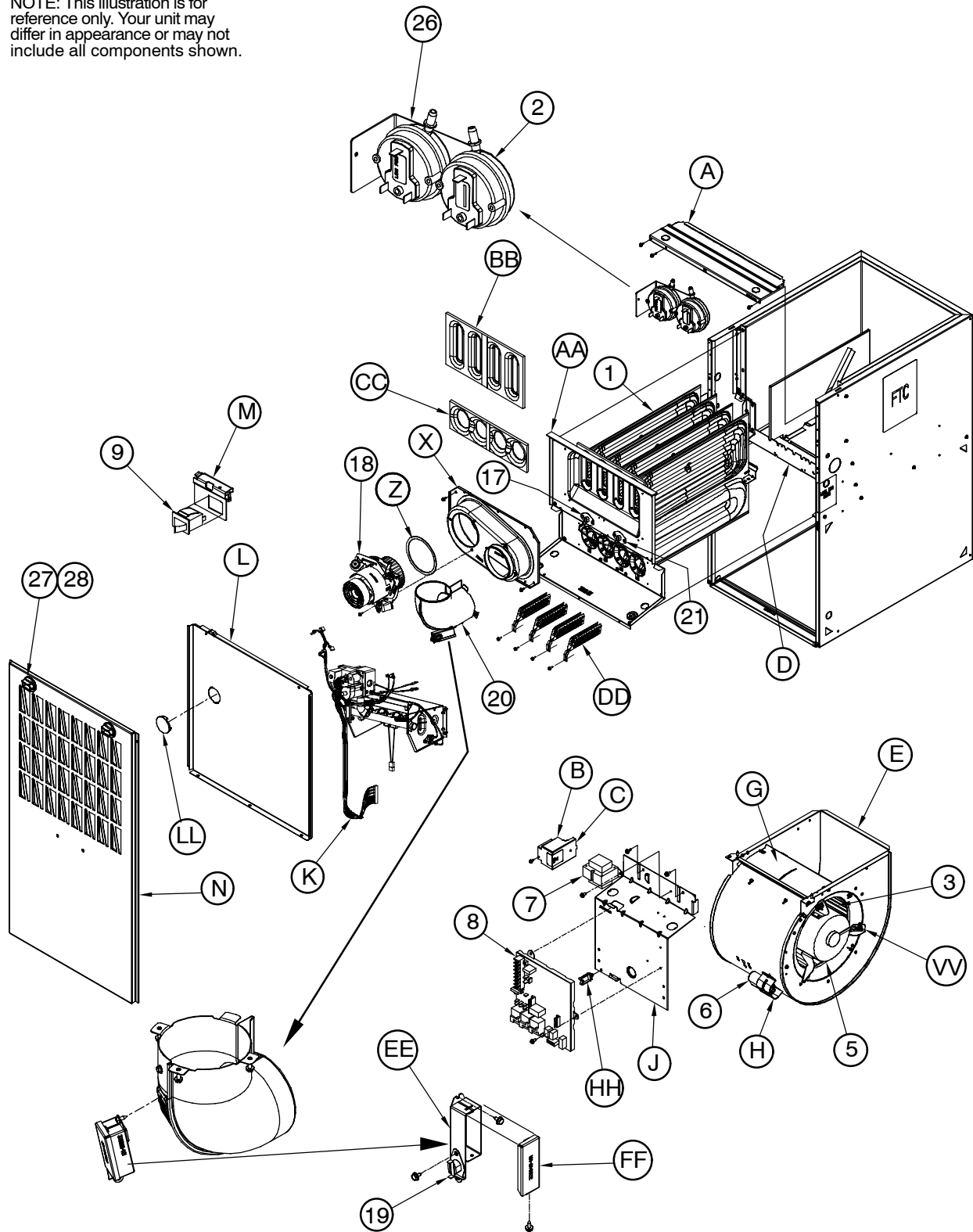
ECM—Electronically Commutated Motor

ACCESSORIES PART NUMBER IDENTIFICATION GUIDE

DIGIT POSITION	1	2	3	4	5, 6, 7	8, 9	10, 11
	N	A	H	A	001	01	DH
N = Non-Branded	BRANDING						
A = Accessory	PRODUCT GROUP						
H = Heating			KIT USAGE				
A = Original							
B = 2nd Generation			MAJOR SERIES				
Product Identifier Number							
Package Quantity							
Type of Kit (Example: DH = Draft Hood - Chimney Adapter)							

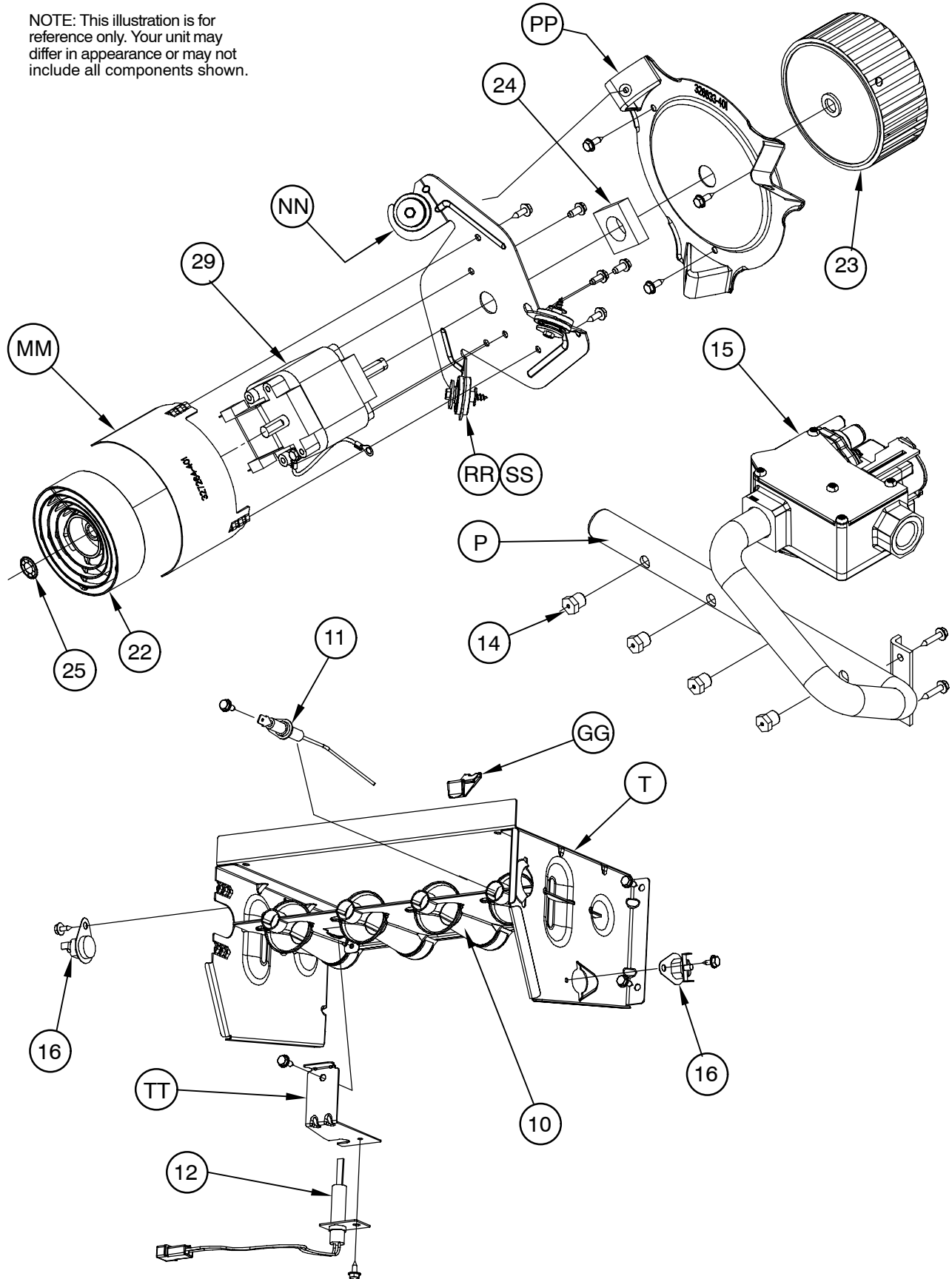
PARTS DIAGRAM

NOTE: This illustration is for reference only. Your unit may differ in appearance or may not include all components shown.



PARTS DIAGRAM

NOTE: This illustration is for reference only. Your unit may differ in appearance or may not include all components shown.



PARTS LIST

KEY NO.	DESCRIPTION	FAST PARTS NO.	F8MTL0451412A1	F8MTL0701412A1	F8MTL0901714A1	F8MTL1102122A1	F8MTL1352422A1	G8MTL0451412A1	G8MTL0701412A1	G8MTL0901714A1	G8MTL1102122A1	G8MTL1352422A1
01	HEAT EXCHANGER ASY	1183426	2	3	4	5	6	2	3	4	5	6
02	SWITCH VENT PRESSURE	1183418	1	1	1	1	1	1	1	1	1	1
02	SWITCH VENT PRESSURE - HIGH ALTITUDE	1183420	1	1	1	1	1	1	1	1	1	1
03	WHEEL BLOWER DD10 X 6 X 1/2 CW CV	1176934	1	1	-	-	-	1	1	-	-	-
03	WHEEL BLOWER DD10 X 8 X 1/2 CW CC	1176935	-	-	1	-	-	-	-	1	-	-
03	WHEEL BLOWER DD11 X 11 X 1/2 CW CC	1176937	-	-	-	1	1	-	-	-	1	1
05	MTR BLR 1/115 1/3 5-SPD	1183465	1	1	-	-	-	1	1	-	-	-
05	MTR BLR 1/115 1/3 4-SPD	1183466	-	-	1	-	-	-	-	1	-	-
05	MTR BLR 1/115 3/4 5-SPD	1183467	-	-	-	1	-	-	-	-	1	-
05	MTR BLR 1/115 3/4 4-SPD	1183468	-	-	-	-	1	-	-	-	-	1
06	CAP RN OV 370V 7.5	1171728	-	1	-	-	-	-	1	-	-	-
06	CAP RN OV 370V 10	1171729	1	-	1	-	1	1	-	1	-	1
06	CAP RN OV 370V 15	1171730	-	-	-	1	-	-	-	-	1	-
07	TRANSFORMER 40VA 120-24V	1177217	1	1	1	1	1	1	1	1	1	1
08	BOARD CIRCUIT	1183385	1	1	1	1	1	1	1	1	1	1
09	SWITCH DOOR	1171981	1	1	1	1	1	1	1	1	1	1
10	BURNER ASSY	1176914	1	-	-	-	-	1	-	-	-	-
10	BURNER ASSY	1176915	-	1	-	-	-	-	1	-	-	-
10	BURNER ASSY	1176916	-	-	1	-	-	-	-	1	-	-
10	BURNER ASSY	1176917	-	-	-	1	-	-	-	-	1	-
10	BURNER ASSY	1176918	-	-	-	-	1	-	-	-	-	1
11	SENSOR FLAME	1176920	1	1	1	1	1	1	1	1	1	1
12	IGNITOR	1176919	1	1	1	1	1	1	1	1	1	1
14	ORIFICE	1176928	2	3	4	5	6	2	3	4	5	6
15	VALVE N&P HSI 2-STG WR 36J55-618	1183456	1	1	1	1	1	1	1	1	1	1
16	SWITCH LIMIT 350 F	1177033	2	2	2	2	2	2	2	2	2	2
17	SWITCH LIMIT 165 F	1176905	-	1	-	1	-	-	1	-	1	-
17	SWITCH LIMIT 180 F	1176906	-	-	1	-	-	-	-	1	-	-
17	SWITCH LIMIT 235 F	1176908	-	-	-	-	1	-	-	-	-	1
17	SWITCH LIMIT 240 F	1176909	1	-	-	-	-	1	-	-	-	-
18	INDUCER MOTOR ASY 2-SPD	1183437	1	-	-	-	-	1	-	-	-	-
18	INDUCER MOTOR ASY 2-SPD	1183438	-	1	-	-	-	-	1	-	-	-
18	INDUCER MOTOR ASY 2-SPD	1183439	-	-	1	-	-	-	-	1	-	-
18	INDUCER MOTOR ASY 2-SPD	1183440	-	-	-	1	-	-	-	-	1	-
18	INDUCER MOTOR ASY 2-SPD	1183441	-	-	-	-	1	-	-	-	-	1
19	SWITCH LIMIT AUTO RESET 200 F	1176902	1	1	1	1	1	1	1	1	1	1
20	ELBOW VENT ASY	1183473	1	1	1	1	1	1	1	1	1	1
21	SWITCH LIMIT 210 F	1176904	-	-	-	1	-	-	-	-	1	-
22	INDUCER FAN	1183442	1	1	1	1	1	1	1	1	1	1
23	WHEEL INDUCER 4.5 X 1.5	1183454	1	1	1	1	1	1	1	1	1	1
24	SHAFT SEAL	1183443	1	1	1	1	1	1	1	1	1	1
25	CLIP	1177196	1	1	1	1	1	1	1	1	1	1
26	SWITCH VENT PRESSURE	1183419	1	1	1	1	1	1	1	1	1	1
27	DOOR LATCH	1183487	1	1	1	1	1	1	1	1	1	1
28	KNOB	1183488	1	1	1	1	1	1	1	1	1	1
29	MTR INDUCER 1/115 2-SPD	1183448	1	-	-	-	-	1	-	-	-	-
29	MTR INDUCER 1/115 2-SPD	1183449	-	1	-	-	-	-	1	-	-	-
29	MTR INDUCER 1/115 2-SPD	1183450	-	-	1	-	-	-	-	1	-	-
29	MTR INDUCER 1/115 2-SPD	1183451	-	-	-	1	-	-	-	-	1	-
29	MTR INDUCER 1/115 2-SPD	1183452	-	-	-	-	1	-	-	-	-	1
A	TOP PLATE	1183414	1	1	-	-	-	1	1	-	-	-
A	TOP PLATE	1183415	-	-	1	-	-	-	-	1	-	-

* HIGH ALTITUDE HIGH-FIRE REPLACEMENT SWITCH

- continued on next page -

PARTS LIST (continued)

KEY NO.	DESCRIPTION	FAST PARTS NO.	F8MTL0451412A1	F8MTL0701412A1	F8MTL0901714A1	F8MTL1102122A1	F8MTL1352422A1	G8MTL0451412A1	G8MTL0701412A1	G8MTL0901714A1	G8MTL1102122A1	G8MTL1352422A1	
A	TOP PLATE	1183416	-	-	-	1	-	-	-	-	-	1	-
A	TOP PLATE	1183417	-	-	-	-	1	-	-	-	-	-	1
AA	PANEL CELL	1183427	1	-	-	-	-	1	-	-	-	-	-
AA	PANEL CELL	1183428	-	1	-	-	-	-	1	-	-	-	-
AA	PANEL CELL	1183429	-	-	1	-	-	-	-	1	-	-	-
AA	PANEL CELL	1183430	-	-	-	1	-	-	-	-	-	1	-
AA	PANEL CELL	1183431	-	-	-	-	1	-	-	-	-	-	1
B	BOX AUX J	1183421	1	1	1	1	1	1	1	1	1	1	1
BB	GASKET OUTLET 2 CELL	1176897	1	-	-	-	-	1	-	-	-	-	-
BB	GASKET OUTLET 3 CELL	1176898	-	1	-	-	-	-	1	-	-	-	-
BB	GASKET OUTLET 4 CELL	1176899	-	-	1	-	-	-	-	1	-	-	-
BB	GASKET OUTLET 5 CELL	1176900	-	-	-	1	-	-	-	-	-	1	-
BB	GASKET OUTLET 6 CELL	1176901	-	-	-	-	1	-	-	-	-	-	1
C	COVER BOX AUX J	1183422	1	1	1	1	1	1	1	1	1	1	1
CC	GASKET INLET 2 CELL	1176892	1	-	-	-	-	1	-	-	-	-	-
CC	GASKET INLET 3 CELL	1176893	-	1	-	-	-	-	1	-	-	-	-
CC	GASKET INLET 4 CELL	1176894	-	-	1	-	-	-	-	1	-	-	-
CC	GASKET INLET 5 CELL	1176895	-	-	-	1	-	-	-	-	-	1	-
CC	GASKET INLET 6 CELL	1176896	-	-	-	-	1	-	-	-	-	-	1
D	SHELF ASSY BLOWER	1177035	1	-	-	-	-	1	-	-	-	-	-
D	SHELF ASSY BLOWER	1177037	-	1	-	-	-	-	1	-	-	-	-
D	SHELF ASSY BLOWER	1177038	-	-	1	-	-	-	-	1	-	-	-
D	SHELF ASSY BLOWER	1177041	-	-	-	1	-	-	-	-	-	1	-
D	SHELF ASSY BLOWER	1177042	-	-	-	-	1	-	-	-	-	-	1
DD	FLAME RADIATOR	1177046	2	3	4	5	6	2	3	4	5	6	
E	HOUSING ASY BLOWER	1183462	1	1	-	-	-	1	1	-	-	-	-
E	HOUSING ASY BLOWER	1183463	-	-	1	-	-	-	-	1	-	-	-
E	HOUSING ASY BLOWER	1183464	-	-	-	1	1	-	-	-	1	1	-
EE	BOX SAFE GUARD	1176958	1	1	1	1	1	1	1	1	1	1	1
FF	COVER SAFE GUARD BOX	1176959	1	1	1	1	1	1	1	1	1	1	1
G	CUTOFF BLOWER	1176938	1	1	-	-	-	1	1	-	-	-	-
G	CUTOFF BLOWER	1176939	-	-	1	-	-	-	-	1	-	-	-
G	CUTOFF BLOWER	1176941	-	-	-	1	1	-	-	-	1	1	-
GG	CLIP HARNESS RETAINER	1176922	1	1	1	1	1	1	1	1	1	1	1
H	STRAP CAPACITOR OVAL	1170643	1	1	1	1	1	1	1	1	1	1	1
HH	CLIP HARNESS RETAINER	1176946	1	1	1	1	1	1	1	1	1	1	1
J	BRACKET CONTROL MTG	1183472	1	1	1	1	1	1	1	1	1	1	1
K	HARNESS ASY 80% 2-STG	1183423	1	1	1	1	1	1	1	1	1	1	1
L	BLOWER DOOR ASY	1183474	1	1	-	-	-	1	1	-	-	-	-
L	BLOWER DOOR ASY	1183475	-	-	1	-	-	-	-	1	-	-	-
L	BLOWER DOOR ASY	1183476	-	-	-	1	-	-	-	-	-	1	-
L	BLOWER DOOR ASY	1183477	-	-	-	-	1	-	-	-	-	-	1
LL	SIGHTGLASS	1183478	1	1	1	1	1	1	1	1	1	1	1
M	BRACKET DOOR SWITCH	1183425	1	1	1	1	1	1	1	1	1	1	1
MM	INDUCER MOTOR SHIELD	1183446	1	1	1	1	1	1	1	1	1	1	1
N	DOOR ASY OUTER	1183479	1	1	-	-	-	-	-	-	-	-	-
N	DOOR ASY OUTER	1183480	-	-	1	-	-	-	-	-	-	-	-
N	DOOR ASY OUTER	1183481	-	-	-	1	-	-	-	-	-	-	-
N	DOOR ASY OUTER	1183482	-	-	-	-	1	-	-	-	-	-	-
N	DOOR ASY OUTER	1183483	-	-	-	-	-	1	1	-	-	-	-
N	DOOR ASY OUTER	1183484	-	-	-	-	-	-	-	1	-	-	-
N	DOOR ASY OUTER	1183485	-	-	-	-	-	-	-	-	-	1	-
N	DOOR ASY OUTER	1183486	-	-	-	-	-	-	-	-	-	-	1

- continued on next page -

PARTS LIST (continued)

KEY NO.	DESCRIPTION	FAST PARTS NO.	F8MTL0451412A1	F8MTL0701412A1	F8MTL0901714A1	F8MTL1102122A1	F8MTL1352422A1	G8MTL0451412A1	G8MTL0701412A1	G8MTL0901714A1	G8MTL1102122A1	G8MTL1352422A1
NN	INDUCER MOTOR BRACKET	1183445	1	1	1	1	1	1	1	1	1	1
P	MANIFOLD	1176923	1	-	-	-	-	1	-	-	-	-
P	MANIFOLD	1176924	-	1	-	-	-	-	1	-	-	-
P	MANIFOLD	1176925	-	-	1	-	-	-	-	1	-	-
P	MANIFOLD	1176926	-	-	-	1	-	-	-	-	1	-
P	MANIFOLD	1176927	-	-	-	-	1	-	-	-	-	1
PP	INDUCER MOTOR SUPPORT	1183444	1	1	1	1	1	1	1	1	1	1
RR	SCREW	1183447	3	3	3	3	3	3	3	3	3	3
SS	GROMMET	1183453	3	3	3	3	3	3	3	3	3	3
T	SUPPORT ASY BURNER	1177028	1	-	-	-	-	1	-	-	-	-
T	SUPPORT ASY BURNER	1177029	-	1	-	-	-	-	1	-	-	-
T	SUPPORT ASY BURNER	1177030	-	-	1	-	-	-	-	1	-	-
T	SUPPORT ASY BURNER	1177031	-	-	-	1	-	-	-	-	1	-
T	SUPPORT ASY BURNER	1177032	-	-	-	-	1	-	-	-	-	1
TT	BRACKET IGNITER	1183455	1	1	1	1	1	1	1	1	1	1
VV	SCREW	1183457	3	3	3	3	3	3	3	3	3	3
X	INDUCER HOUSING ASY	1183432	1	-	-	-	-	1	-	-	-	-
X	INDUCER HOUSING ASY	1183433	-	1	-	-	-	-	1	-	-	-
X	INDUCER HOUSING ASY	1183434	-	-	1	-	-	-	-	1	-	-
X	INDUCER HOUSING ASY	1183435	-	-	-	1	-	-	-	-	1	-
X	INDUCER HOUSING ASY	1183436	-	-	-	-	1	-	-	-	-	1
Z	GASKET INDUCER MOTOR	1176913	1	1	1	1	1	1	1	1	1	1
PARTS NOT SHOWN												
)	NAHA00801LP - GAS CONV NAT>LP	1183388	1	1	1	1	1	1	1	1	1	1
)	NAHA00801NG - GAS CONV LP>NAT	1183389	1	1	1	1	1	1	1	1	1	1
)	NAHA00201HL - HI ALTITUDE KIT	1183387	1	1	1	1	1	1	1	1	1	1
)	KIT GASKET BLW DOOR LEAKAGE	1183413	1	1	1	1	1	1	1	1	1	1