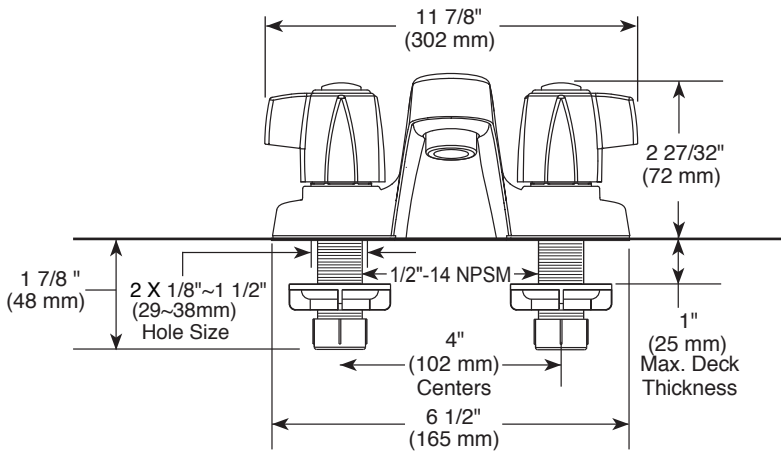


## LAVATORY FAUCET

- Two handle, blade, centerset lavatory faucet; models P246LF & P246LF-BN with plastic pop-up drain assembly, and models P246LF-M & P246LF-BN-M with metal pop-up drain assembly.

## STANDARD SPECIFICATIONS:

- Max. flow rate 1.20 gpm @ 60 psi, 4.54 L/min @ 414 kPa.
- Three hole mount.
- The fully replaceable, washerless valve design rotates from the full-off position to the full-on position in 90°.
- The valve stems on the hot and cold stems are interchangeable.
- 1/2"-14 NPSM threaded male inlet shanks.



## WARRANTY

- Lifetime limited warranty on parts (other than electronic parts and batteries) and finishes; or for commercial users, for 5 years from the date of purchase.
- 5 year limited warranty on electronic parts (other than batteries); or for commercial users, for 1 year from the date of purchase. No warranty is provided on batteries.



## COMPLIES WITH:

- ASME A112.18.1 / CSA B125.1
- ASME A112.18.2 / CSA B125.2
- Indicates compliance to ICC/ANSI A117.1
- EPA WaterSense®
- Verified compliant with 0.25% weighted average Pb content regulations.

