



A Moen Incorporated Brand

SPECIFICATION SHEET

*There is more than 1 version of this model.
Page down to identify the version you have.*



DESCRIPTION

- Metal construction with various finishes identified by suffix
- Includes 17ga brass or 50/50 waste pop-up type assembly where noted
- 1/2" IPS connections
- Six (6) individual boxes per master carton
- Features red/blue hot/cold temperature indicators

OPERATION

- Lever style handles
- Hot side: Turn counterclockwise to open (clockwise to close)
- Cold side: Turn clockwise to open (counterclockwise to close)
- Will operate with less than 5 lbs. of torque
- No grasping motion required to operate the faucet handles

FLOW

- Water usage is limited to these maximum flow rates as indicated by the corresponding product markings
 - 1.2 gpm max (4.5L/min) at 60 psi
 - 1.5 gpm max (5.7L/min) at 60 psi

CRITICAL DIMENSIONS

- Note: This faucet is designed to be installed through 3 holes, 1" minimum diameter outer holes, 4" centers,
- Maximum deck thickness 0.875" (22 mm)
- 6 individual boxes per master carton

CARTRIDGE

- Ceramic disc technology
- Non-metallic, non-ferrous, and brass material
- Single body construction for easy replacement
- 1/4 turn movement

STANDARDS

- Third party certified to WaterSense®, ASME A112.18.1/CSA B125.1 and all applicable requirements referenced therein
- Certified to NSF 61/9 & 372
- Products marked with 1.2 gpm are compliant with California water efficiency regulations
- Complies with California Proposition 65 and the Federal Safe Water Drinking Act
- **ADA** for lever handle

WARRANTY – RESIDENTIAL, COMMERCIAL

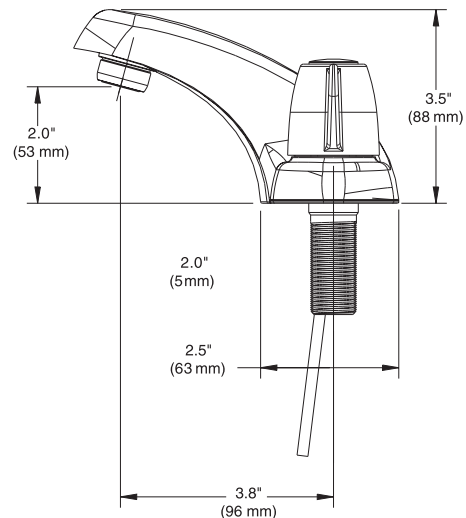
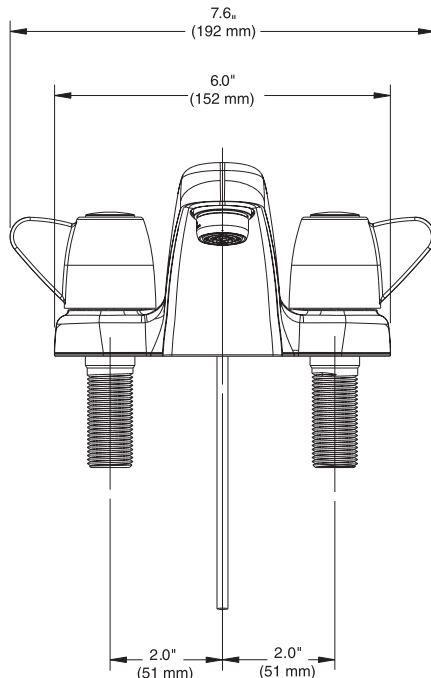
- Ten year limited warranty against defects in materials and manufacturing workmanship
- Refer to the installation instructions enclosed with each CFG product or call 1-888-450-4910 for complete warranty information



Two Handle Lavatory With Metal Waste

Models:

- CA40210 2H Lav with metal waste
- CA40211 2H Lav with 50/50 waste
- CA40213 2H Lav less waste



CRITICAL DIMENSIONS

(DO NOT SCALE)

