



# SIERRA FAUCET Z7440-XL

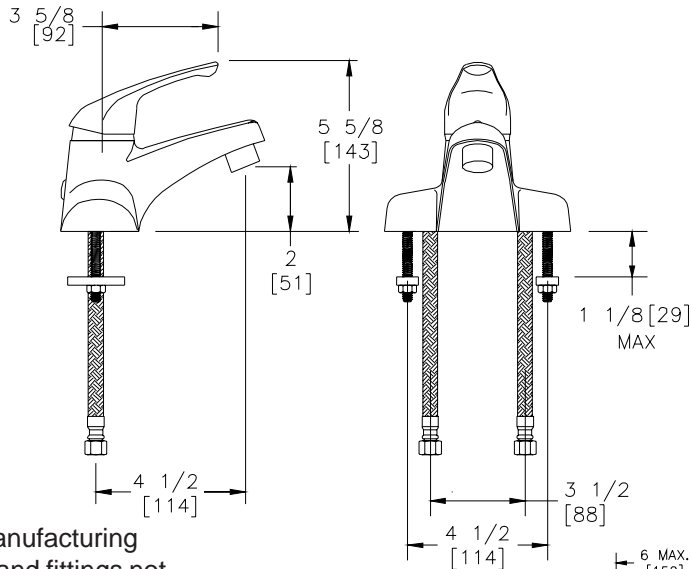
TAG \_\_\_\_\_



### Engineering Specifications: Zurn AquaSpec® Sierra Faucet Z7440-XL

Polished chrome plated 4" [102mm] centerset single control lavatory faucet with 5" [127mm] integral spout, a ceramic disc cartridge and a temperature limit stop. Unit is furnished with 2.2 GPM [8.3L] aerator (complying with ANSI A112.18.1M Standard for flow), an ADA compliant lever handle, 3/8" stainless steel flex hose 18" [457mm] in length with 3/8" female compression fitting.

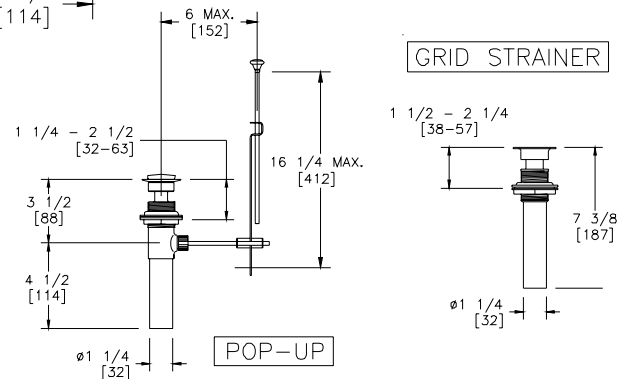
Zurn Lead Compliant\* "XL" products are a line of durable, high quality brass faucets and fixtures that are designed and manufactured to comply with state laws and local codes that mandate lead content levels. Zurn "XL" products are manufactured with \*not more than 0.25% lead content when used with respect to wetted surfaces of pipes and pipe fittings, plumbing fitting and fixtures: California Health & Safety Code § 116875; Vermont 9 VCA § 2470h.



**Note:**

Dimensions subject to manufacturing tolerances. Other pipe and fittings not furnished by manufacturer.

Model No.	Lever Handle	No Pop-Up Hole	With Lift Rod Only	With Metal Pop-Up	With Grid Strainer
Z7440-XL	X	X			
Z7441-XL	X		X		
Z7442-XL	X			X	
Z7443-XL	X	X			X



### OPTIONS (Check/specify appropriate options)

- \_\_\_ - CST Copper Supply Tubes w/ 1/2" IPS Fitting
- \_\_\_ - FC 0.5 GPM [1.9L] Vandal Resistant Aerator
- \_\_\_ - LA 2.2 GPM [8.3L] Laminar Flow Aerator
- \_\_\_ - SO 1.0 GPM [3.8L] Spray Outlet
- \_\_\_ - VP 2.2 GPM [8.3L] Vandal Resistant Aerator
- \_\_\_ - VP1.5 1.5 GPM [5.7 L] Vandal Resistant Aerator
- \_\_\_ -SO.35 0.35 GPM [1.3 L] Pressure Compensating Spray Outlet
- \_\_\_ -SOVP.35 0.35 GPM [1.3 L] Vandal-Resistant Pressure Compensating Spray Outlet

### STANDARDS

Lever handle models meet or exceed ANSI A117.1M Handicap specifications.



### FLOWRATE

2.2 GPM (8.3 LPM) @ 80 PSI

ZURN INDUSTRIES, LLC ♦ COMMERCIAL BRASS OPERATION ♦ 2640 SOUTH WORK STREET ♦ FALCONER NY 14733

Phone: 1-800-997-3876 ♦ Fax: 1-919-775-3541 ♦ www.zurn.com

In Canada: ZURN INDUSTRIES LIMITED ♦ 3544 Nashua Drive ♦ Mississauga, Ontario L4V1L2 ♦ Phone: 905/405-8272 Fax: 905/405-1292