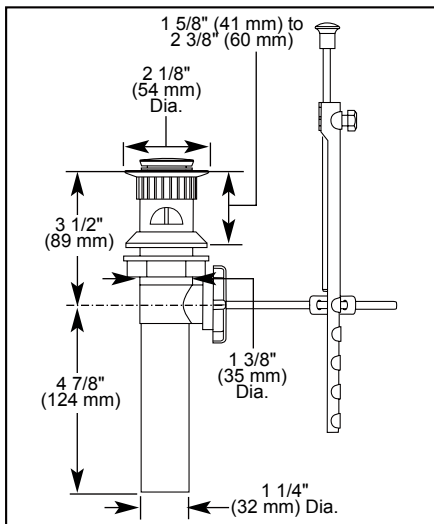
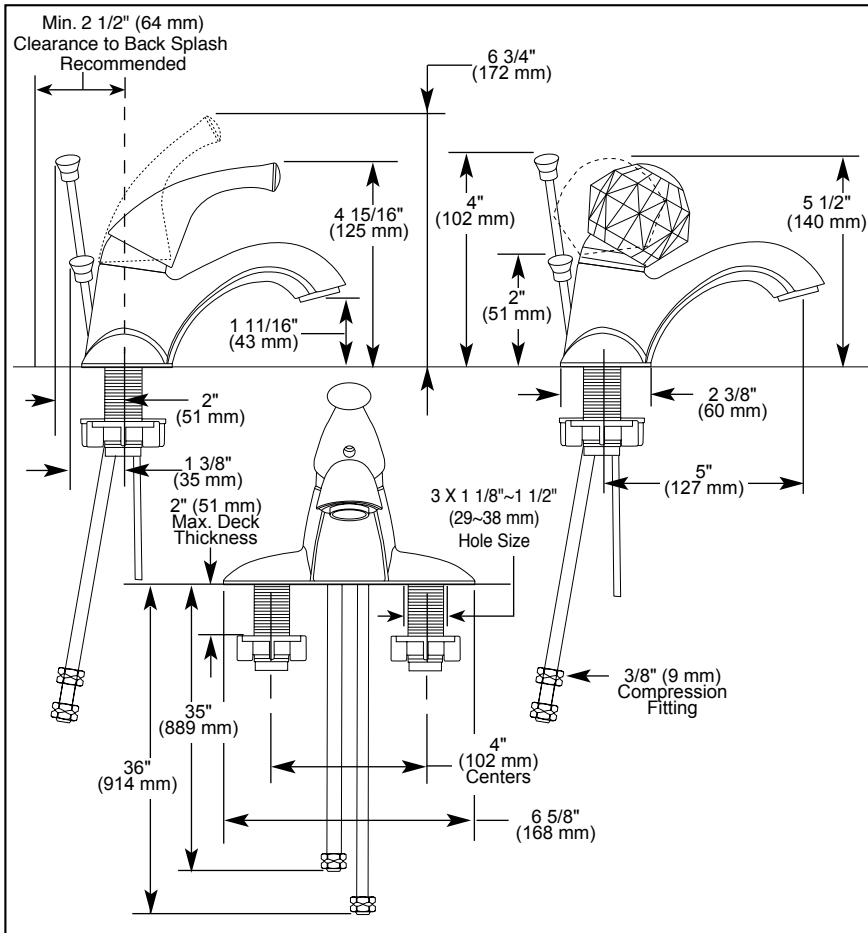


Submitted Model No.: \_\_\_\_\_

Specific Features: \_\_\_\_\_



Delta reserves the right (1) to make changes in specifications and materials, and (2) to change or discontinue models, both without notice or obligation. Dimensions are for reference only. See current full-line price book or [www.deltafaucet.com](http://www.deltafaucet.com) for finish options and product availability.  
 DSP-L-520-A-DST Rev. D



## LAVATORY FAUCETS

- Classic Series
- Diamond Seal® Technology
- Single Handle Deck Mount
- 3 Hole Sink Applications
- 4" Centerset

### STANDARD SPECIFICATIONS:

- 4" (102 mm) centerset.
- 5" (127 mm) long spout.
- Lever and knob handle. Control mechanism is the diamond embedded ceramic disc cartridge.
- Control handle shall return to neutral position when valve is turned off.
- 3/8" O.D. straight, staggered pex supply tubes - 35" (889 mm) and 36" (914 mm) long.
- Models have plastic pop-up type fitting with plated flange and stopper.
- Models have a maximum 1.5 gpm flowrate @ 60 PSI.

### WARRANTY

- Lifetime limited warranty on parts (other than electronic parts and batteries) and finishes; or, for commercial users, for 5 years from date of purchase.
- 5 year limited warranty on electronic parts (other than batteries); or, for commercial users, for 1 year from the date of purchase. No warranty is provided on batteries.



### COMPLIES WITH:

- ASME A112.18.1 / CSAB125.1
- ASME A112.18.2 / CSAB125.2
- Indicates ADA compliance to ICC/ANSI A117.1
- EPA WaterSense®

Verified compliant with .25% weighted average Pb content regulations



55 E. 111th Street, Indianapolis, Indiana 46280  
 350 South Edgeware Road, St. Thomas, ON N5P 4L1  
 © 2014 Masco Corporation of Indiana