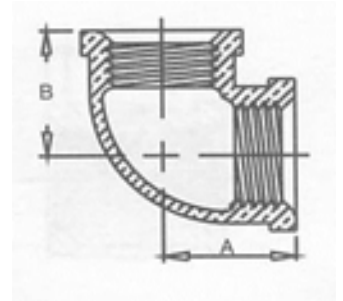


DIMENSIONAL SPECIFICATIONS

LEADED DOMESTIC BRASS FITTINGS** 250 LB.

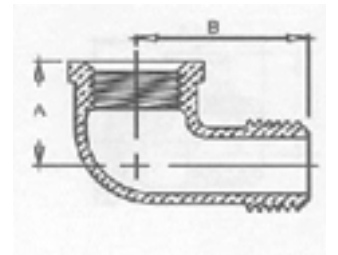
90 DEGREE ELBOW

Part #	Size (IN.)	Approx. Net WT. (LB.)	A	B
150-04	1/4	0.17	0.81	0.81
150-06	3/8	0.27	0.95	0.95
150-08	1/2	0.40	1.12	1.12
150-12	3/4	0.70	1.31	1.31
150-16	1	1.10	1.50	1.50
150-20	1-1/4	1.70	1.75	1.75
150-24	1-1/2	2.15	1.94	1.94
150-32	2	3.50	2.25	2.25
150-40	2-1/2	5.70	2.70	2.70
150-48	3	8.45	3.08	3.08



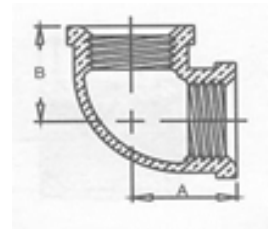
90 DEGREE STREET ELBOW

Part #	Size (IN.)	Approx. Net WT. (LB.)	A	B
160-16	1	1.00	1.50	1.98
160-24	1-1/2	2.00	1.75	2.24



90 DEGREE REDUCING ELBOW

Part #	Size (IN.)	Approx. Net WT. (LB.)	A	B
151-3224	2 x 1-1/2	3.00	2.02	2.16



**WARNING: This product contains chemicals known to the state of California to cause cancer and birth defects or other reproductive harm.
**NOTE: This product is not for use in potable water applications and contains a chemical known to cause birth defects or reproductive harm.

**MERIT
BRASS**

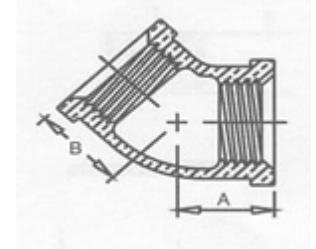
DIRECTING THE FLOW OF *Quality*

DIMENSIONAL SPECIFICATIONS

LEADED DOMESTIC BRASS FITTINGS** 250 LB.

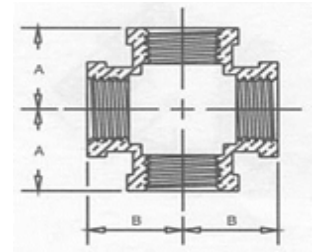
45 DEGREE ELBOW

Part #	Size (IN.)	Approx. Net WT. (LB.)	A
152-12	3/4	0.55	0.98
152-16	1	0.90	1.12
152-20	1-1/4	1.45	1.29
152-24	1-1/2	2.05	1.43
152-32	2	3.20	1.68



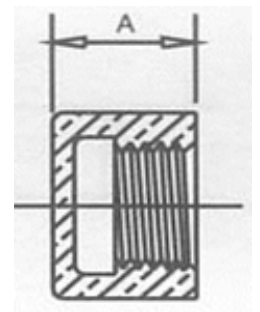
CROSS

Part #	Size (IN.)	Approx. Net WT. (LB.)	A
154-12	3/4	1.25	1.31
154-16	1	1.90	1.50
154-20	1-1/4	2.85	1.75
154-24	1-1/2	3.85	1.94
154-32	2	5.90	2.25



CAP

Part #	Size (IN.)	Approx. Net WT. (LB.)	A
158-08	1/2	0.24	0.86
158-12	3/4	0.35	1.02
158-16	1	0.55	1.10
158-20	1-1/4	1.00	1.29
158-24	1-1/2	1.20	1.33
158-32	2	2.05	1.55
158-48	3	4.75	2.00



**WARNING: This product contains chemicals known to the state of California to cause cancer and birth defects or other reproductive harm.
**NOTE: This product is not for use in potable water applications and contains a chemical known to cause birth defects or reproductive harm.

MERIT
BRASS

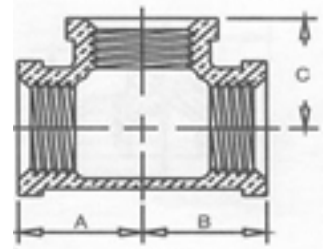
DIRECTING THE FLOW OF *Quality*

DIMENSIONAL SPECIFICATIONS

LEADED DOMESTIC BRASS FITTINGS** 250 LB.

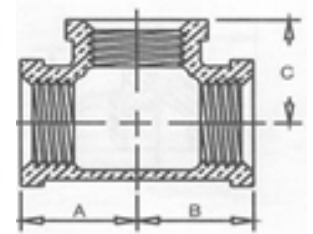
TEE

Part #	Size (IN.)	Approx. Net WT. (LB.)	A	B	C
153-06	3/8	0.35	0.95	0.95	0.95
153-08	1/2	0.60	1.12	1.12	1.12
153-12	3/4	0.95	1.31	1.31	1.31
153-16	1	1.45	1.50	1.50	1.50
153-20	1-1/4	5.80	1.75	1.75	1.75
153-24	1-1/2	2.95	1.94	1.94	1.94
153-32	2	4.60	2.25	2.25	2.25
153-40	2-1/2	7.55	2.70	2.70	2.70



REDUCING TEE

Part #	Size (IN.)	Approx. Net WT. (LB.)	A	B	C
153-160816	1 X 1/2 X 1	1.20	1.50	1.38	1.50
153-161608	1 X 1 X 1/2	1.20	1.26	1.26	1.36
153-161612	1 X 1 X 3/4	1.30	1.37	1.37	1.45



****WARNING:** This product contains chemicals known to the state of California to cause cancer and birth defects or other reproductive harm.
****NOTE:** This product is not for use in potable water applications and contains a chemical known to cause birth defects or reproductive harm.

MERIT BRASS

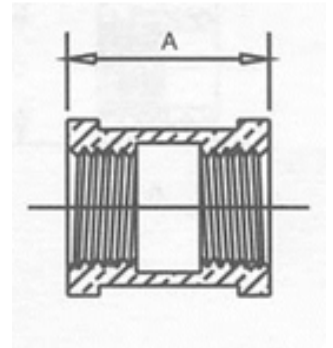
DIRECTING THE FLOW OF *Quality*

DIMENSIONAL SPECIFICATIONS

LEADED DOMESTIC BRASS FITTINGS** 250 LB.

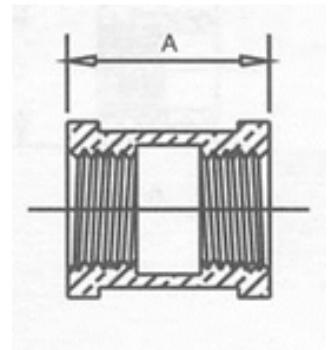
COUPLING

Part #	Size (IN.)	Approx. Net WT. (LB.)	A
157-04	1/4	0.16	1.06
157-06	3/8	0.20	1.16
157-08	1/2	0.40	1.34
157-12	3/4	0.60	1.52
157-16	1	0.85	1.67
157-20	1-1/4	1.30	1.93
157-24	1-1/2	1.80	2.15
157-32	2	2.55	2.53
157-40	2-1/2	4.65	2.88



REDUCING COUPLING

Part #	Size (IN.)	Approx. Net WT. (LB.)	A
156-1612	1 X 3/4	0.70	1.88
156-2016	1-1/4 X 1	1.15	2.13
156-2416	1-1/2 X 1	1.65	2.69
156-2420	1-1/2 X 1-1/4	1.80	2.25
156-3224	2 X 1-1/2	2.25	2.44
156-4032	2-1/2 X 2	3.30	2.63



**WARNING: This product contains chemicals known to the state of California to cause cancer and birth defects or other reproductive harm.
**NOTE: This product is not for use in potable water applications and contains a chemical known to cause birth defects or reproductive harm.

**MERIT
BRASS**

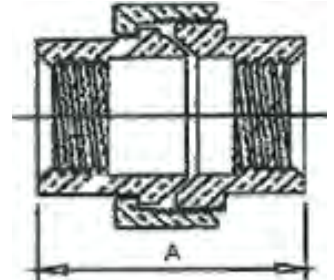
DIRECTING THE FLOW OF *Quality*

DIMENSIONAL SPECIFICATIONS

LEADED DOMESTIC BRASS FITTINGS** 250 LB.

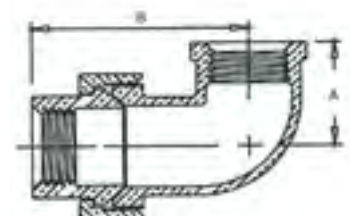
UNION

Part #	Size (IN.)	Approx. Net WT. (LB.)	A
190-04	1/4	0.36	1.56
190-06	3/8	0.45	1.75
190-08	1/2	0.65	2.00
190-12	3/4	1.05	2.13
190-16	1	1.65	2.44
190-20	1-1/4	2.35	2.69
190-24	1-1/2	2.95	2.81
190-32	2	4.00	3.19
190-40	2-1/2	5.65	3.63
190-48	3	8.85	3.69



90 DEGREE UNION ELBOW

Part #	Size (IN.)	Approx. Net WT. (LB.)	A	B
215-06	3/8	0.65	0.94	2.13
215-08	1/2	0.80	1.13	2.31
215-12	3/4	1.25	1.31	2.56
215-16	1	1.90	1.50	2.94
215-24	1-1/2	3.85	1.94	3.63
215-32	2	5.40	2.25	4.13



**WARNING: This product contains chemicals known to the state of California to cause cancer and birth defects or other reproductive harm.

**NOTE: This product is not for use in potable water applications and contains a chemical known to cause birth defects or reproductive harm.

**MERIT
BRASS**

DIRECTING THE FLOW OF *Quality*