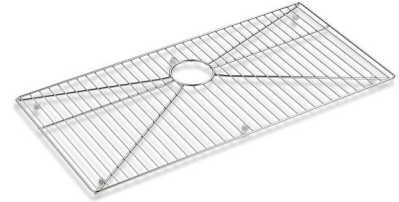


Features

- Comes included with the K-5283-NA Strive kitchen sink.
- Durable stainless-steel construction.
- Helps protect sink surface from daily wear.
- Dishwasher safe.
- Rubber feet provide added protection.



Codes/Standards


None Applicable

KOHLER® One-Year Limited Warranty

See website for detailed warranty information.

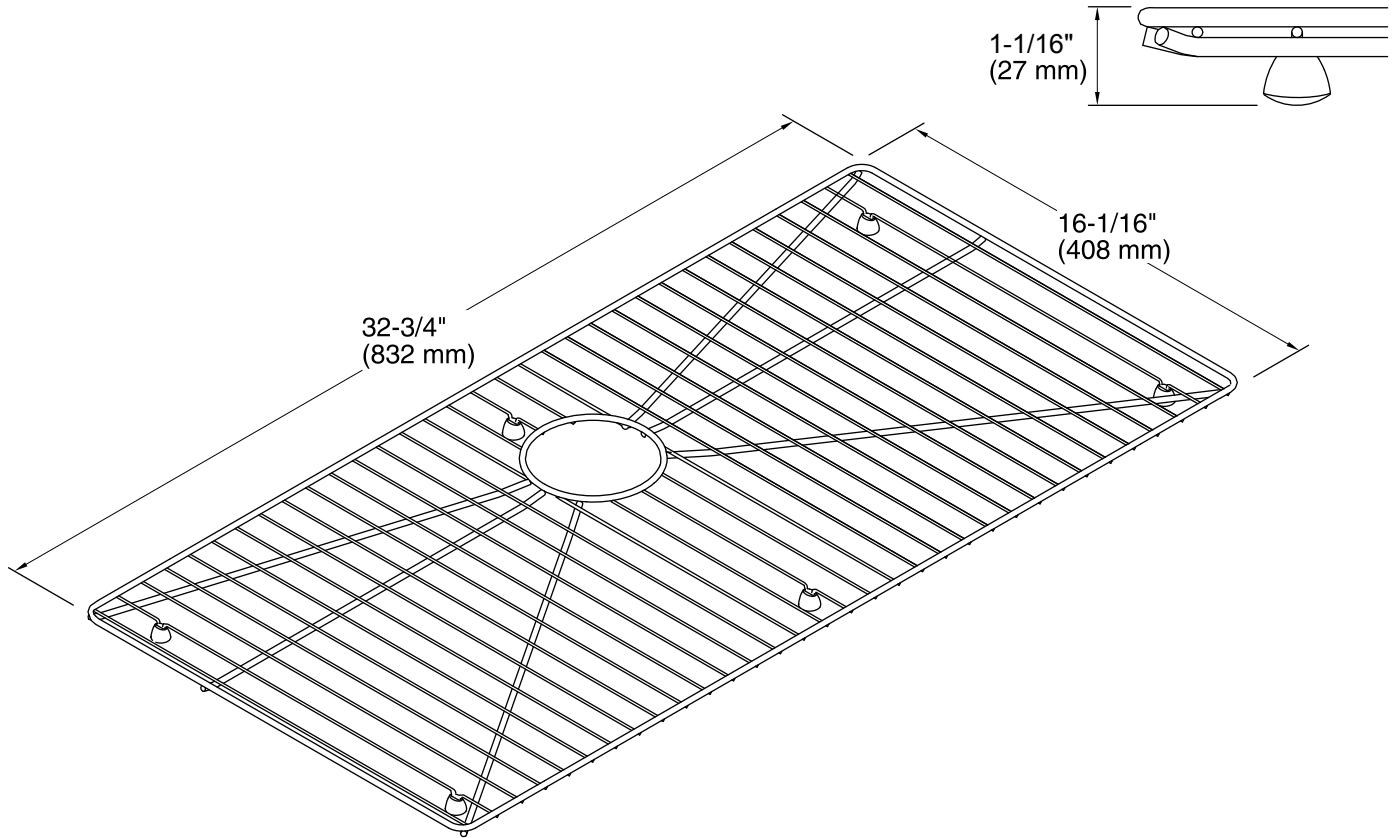
Available Colors/Finishes

Color tiles intended for reference only.

Color	Code	Description
	ST	Stainless Steel

KOHLER®

Strive®
Sink Rack
K-5411



Technical Information

All product dimensions are nominal.

1-800-4KOHLER (1-800-456-4537)

Kohler Co. reserves the right to make revisions without notice to product specifications.

For the most current Specification Sheet, go to www.kohler.com.

4-25-2019 22:47 - US/CA

THE BOLD LOOK
OF **KOHLER®**