

Installation Guide

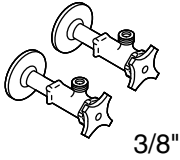
Electronic Kitchen Faucet

Français, page "Français-1"
Español, página "Español-1"

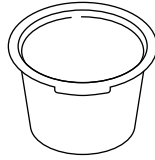
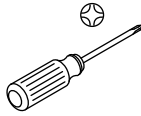
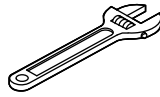
1384293-2-A

THE BOLD LOOK
OF **KOHLER**®

Tools and Materials



3/8"



Plus:

- Unswitched Electrical Outlet

Before You Begin



WARNING: Risk of fresh water contamination. This faucet contains back-siphonage protection. Do not remove any internal components.



WARNING: When using electrical products, basic precautions should always be followed, including the following:



DANGER: Risk of electric shock. Connect only to a circuit protected by a Ground-Fault Circuit-Interrupter (GFCI)*.



WARNING: Risk of electric shock. Grounding is required. A qualified electrician should make all electrical connections.



WARNING: Risk of electric shock. Disconnect power before servicing.



WARNING: Risk of injury or property damage. Please read all instructions thoroughly before beginning installation.



CAUTION: Risk of property damage. The faucet spout contains a magnet. Do not allow items susceptible to electromagnetic damage to come into close proximity to the spout.

Follow all plumbing, electrical, and building codes.

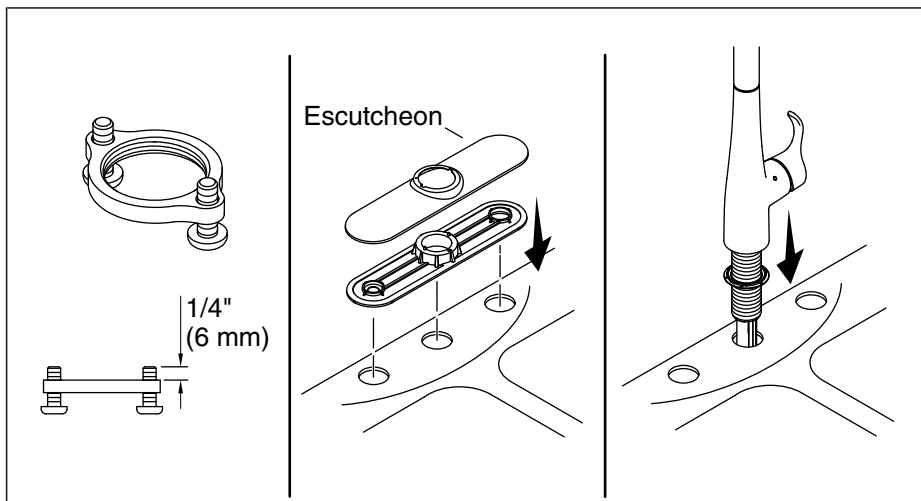
*Outside North America, this device may be known as a Residual Current Device (RCD).

Before You Begin (cont.)

CAUTION: Risk of product damage. This product contains sensitive electronic components. Do not store open containers of chemical or cleaning products near this product. Cleaning rags or sponges must be rinsed with fresh water before storage.

IMPORTANT! Do not use a switch-controlled electrical outlet (typically used for garbage disposals) to provide power to the faucet.

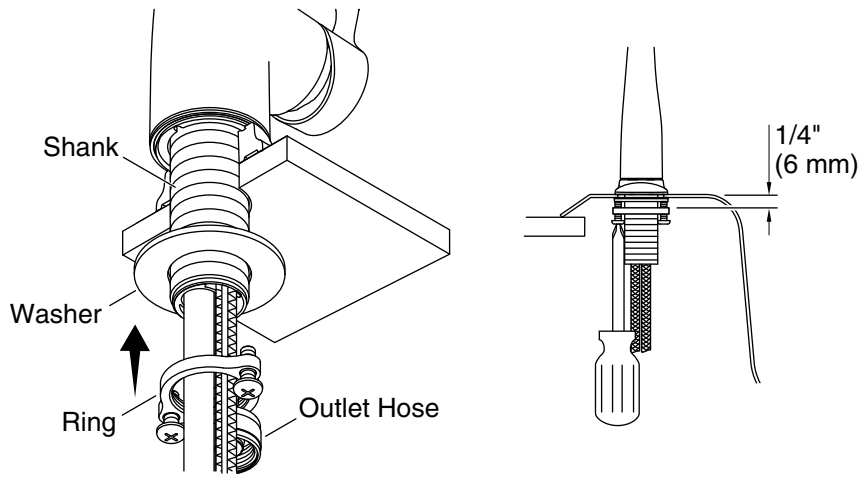
- Class 1 laser product: Complies with 21 CFR 1040.10 and 1040.11.
- Observe all local plumbing and building codes.
- Provide a constant **unswitched** 120 VAC electrical outlet located below the sink within 5' (1.5 m) of the control box.
- Turn off the water supply.
- For new installations, assemble the faucet to the sink before installing the sink.
- For uneven mounting surfaces (such as tile grout lines), apply a suitable sealant under the faucet. **Do not use petroleum-based sealant.**



1. Prepare for Installation

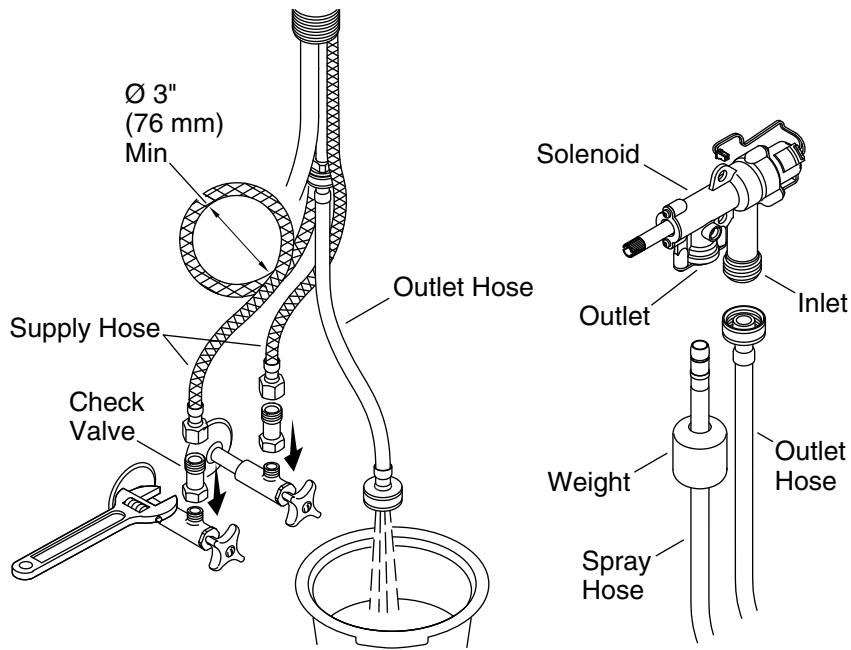
NOTE: Handle orientation is designed to be on the right.

- Thread the screws into the ring 1/4" (6 mm) past the surface.
- Use the escutcheon included with your faucet.
- Insert the faucet through the mounting surface with the handle on the right.



2. Install the Faucet

- Slide the washer and ring over the outlet hose, then feed the supply hoses and wires through.
- Thread the ring onto the shank until the washer contacts the underside of the sink.
- Adjust the ring to align the screws with the front and back of the faucet.
- Use a Phillips screwdriver to securely tighten the screws.



3. Connect the Supplies

CAUTION: Risk of restricted water flow and product damage. Supply hoses must not be taut, kinked, or twisted during installation. If the supply hoses must be coiled, maintain an inside diameter (ID) of 3" (76 mm).

CAUTION: Risk of fresh water contamination. To prevent water contamination, the check valves must be installed.

Connect the Supplies

- Assemble a check valve to each supply.
- Connect and tighten the supply hoses to the check valves.
- Place a bucket under the outlet hose.
- Turn on the supplies.
- Flush the hot and cold water for 1 minute to remove any debris.
- Connect the outlet hose to the solenoid inlet.

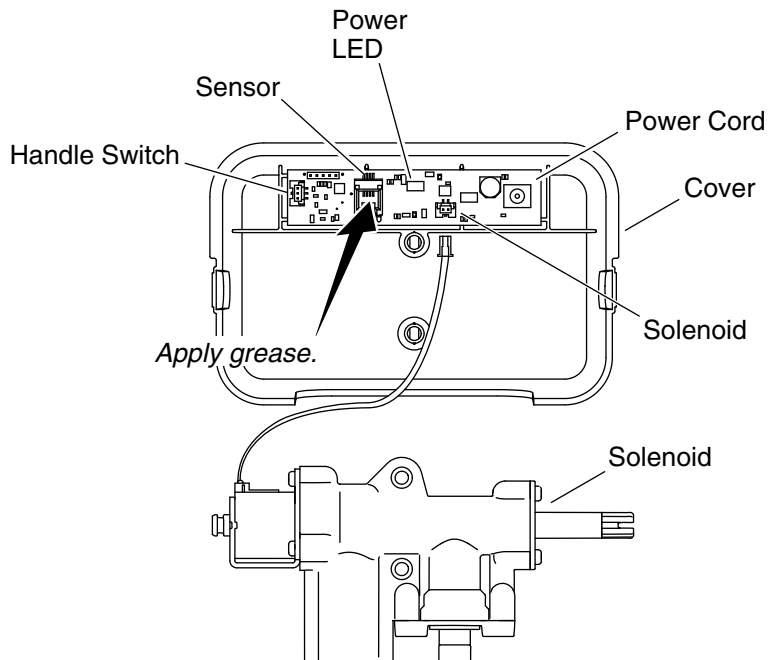
Connect the Spray Hose

- Remove the protective cap.

Connect the Supplies (cont.)

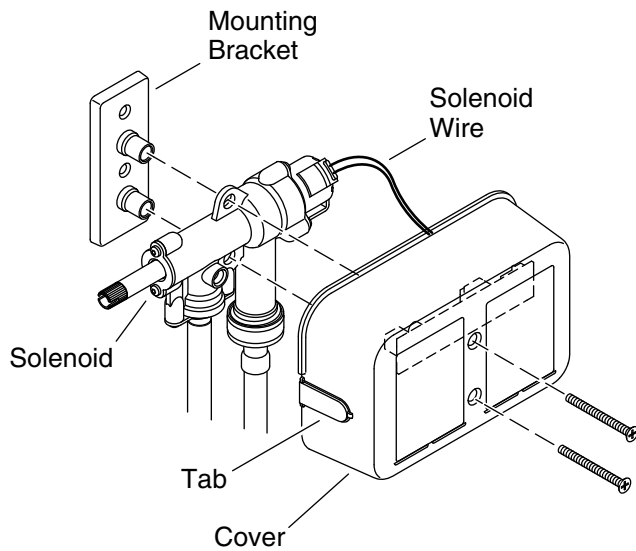
NOTE: The weight must be installed onto the spray hose to act as a pull stop and to prevent kinking damage.

- Slide the weight onto the spray hose.
- Connect the spray hose to the solenoid outlet.



4. Connect the Wires

- Apply grease (provided) to the sensor socket located on the circuit board inside the cover. This will provide additional corrosion protection.
- Connect the handle switch and sensor wires from the faucet to the circuit board.
- Connect the power cord to the circuit board.
- Connect the solenoid wire to the circuit board.
- Plug the power cord into an unswitched 120 VAC outlet. The power LED on the circuit board will illuminate.
- Test activation of the sensor. Refer to the "Faucet Operation" section.



5. Mount the Housing



CAUTION: Risk of restricted waterflow. The outlet hose must not be taut or kinked when installed. Locate the solenoid valve within 7" (178 mm) to 8" (203 mm) of the faucet centerline.

NOTE: Locate the solenoid valve within 7" (178 mm) to 8" (203 mm) from the faucet centerline. Allow adequate clearance for servicing.

Mount the Bracket

NOTE: The mounting bracket should be secured with two suitable fasteners (not supplied) based on the type and thickness of the cabinet or wall material.

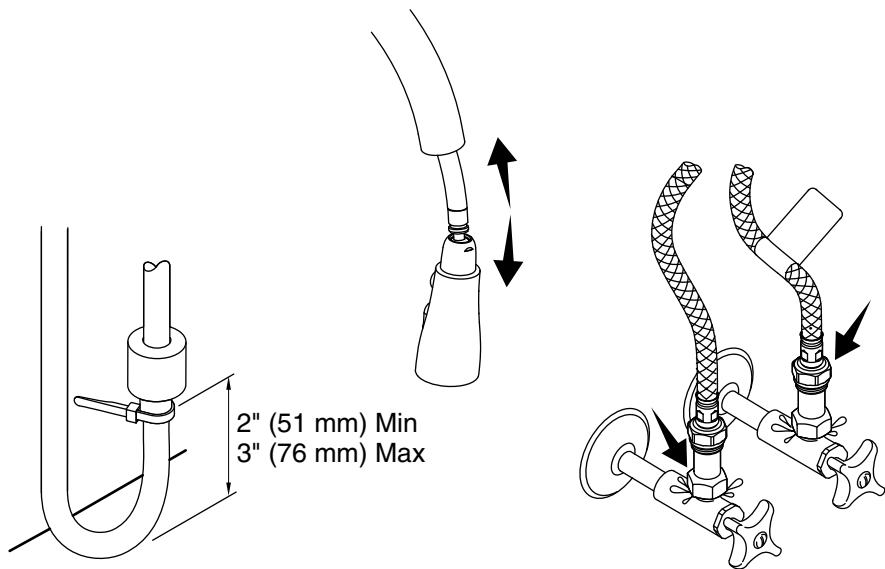
- Fasten the mounting bracket vertically to the cabinet or wall.

Mount the Solenoid and Cover

NOTE: The solenoid may be positioned to the right or left. Remove the appropriate tab on the cover.

Mount the Housing (cont.)

- Position the solenoid and cover on the mounting bracket.
- Secure the solenoid and cover to the mounting bracket with the two screws provided.



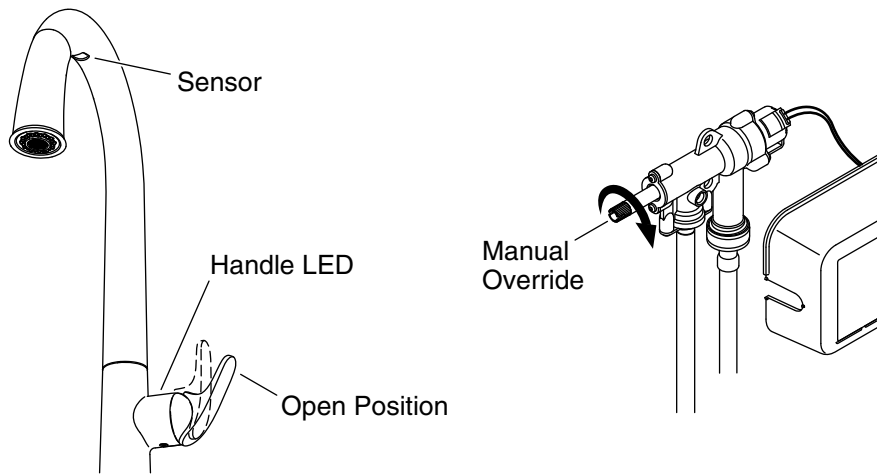
6. Complete the Installation

Position the Weight

- Position the weight between 2" (51 mm) and 3" (76 mm) from the cabinet floor.
- Secure the cable tie around the spray hose just below the weight.
- Extend and retract the spray hose to check for smooth operation.

Check for Leaks

- Ensure that all connections are tight.
- Turn on the water supplies, and check all connections for leaks.
- Test the faucet for proper operation. Refer to the "Faucet Operation" section.



Faucet Operation

- Rotate the handle outward to the open position to start water flow. The handle LED will illuminate to indicate that the sensor is functioning.
- Adjust the handle to the desired water temperature.
- Wave your hand under the spout to turn the water OFF.
- Wave your hand under the spout again to restart the water flow.

NOTE: Some objects that are clear and certain colors are not detectable by the sensor. Always use your hand for sensor testing.

- If needed, refer to the "Handle LED Adjustment" section for more information.

NOTE: For extended periods of nonuse, return the handle to the closed (upright) position. The handle LED will turn OFF, indicating that water flow is not available.

LED Indicators

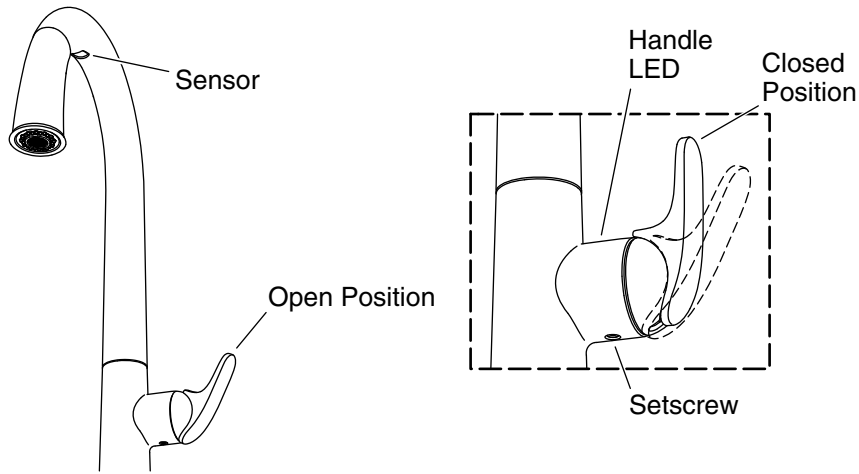
- **Handle LED:** Illuminates when the sensor is active.
- **Power LED:** Indicates that there is power to the circuit board.

Features

- **Automatic shut-off:** After 4 minutes of inactivity, the water will automatically shut OFF.

Faucet Operation (cont.)

- **Sensor override:** In the event of power loss, bypass the sensor function by turning in the override feature on the solenoid valve. The faucet can then be operated manually.

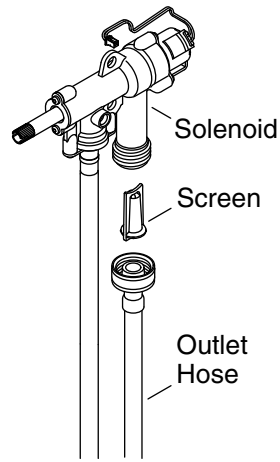
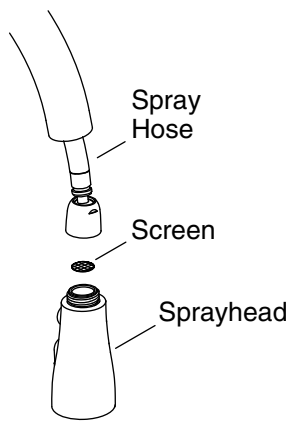


Handle LED Adjustment

NOTE: The LED should turn ON as the handle is rotated open, and OFF when the handle is in the upright (closed) position. Use a 5/64" hex wrench to adjust the valve setscrew as needed.

IMPORTANT! Do not apply upward pressure to the valve setscrew while making adjustments.

- **LED is ON when the handle is closed:** Tighten the valve setscrew until the LED turns OFF. Then tighten the setscrew an additional 1/4 turn.
- **Handle does not return to the upright position:** Loosen the valve setscrew until the handle rotates to the full upright (closed) position and the LED turns ON. Then tighten the setscrew until the LED turns OFF, plus an additional 1/4 turn.
- **Water does not fully shut off:** Loosen the valve setscrew until the handle rotates to the full upright (closed) position and the LED turns ON. Then tighten the setscrew until the LED turns OFF, plus an additional 1/4 turn.



Cleaning the Screens

Sprayhead Screen

- Turn the handle to the closed position.
- Disconnect the nut at the end of the spray hose.
- Remove and clean the screen inside the spray hose.
- Reinsert the screen and reconnect the sprayhead.

Solenoid Inlet Screen

- Turn the handle to the closed position.
- Disconnect the outlet hose from the solenoid.
- Remove and clean the inlet screen inside the solenoid.
- Reinstall the inlet screen and reconnect the outlet hose.

Care and Cleaning

For best results, keep the following in mind when caring for your KOHLER product:

- Use a mild detergent such as liquid dishwashing soap and warm water for cleaning. Do not use abrasive cleaners that may scratch or dull the surface.
- Carefully read the cleaner product label to ensure the cleaner is safe for use on the material.

Care and Cleaning (cont.)

- Always test your cleaning solution on an inconspicuous area before applying to the entire surface.
- Do not allow cleaners to sit or soak on the surface.
- Wipe surfaces clean and rinse completely with water immediately after cleaner application. Rinse and dry any overspray that lands on nearby surfaces.
- Use a soft, dampened sponge or cloth. Never use an abrasive material such as a brush or scouring pad to clean surfaces.

For detailed cleaning information and products to consider, visit www.kohler.com/clean. To order Care & Cleaning information, call 1-800-456-4537.

7. Troubleshooting

CAUTION: Risk of product damage. This product contains sensitive electronic components. Use care not to damage pins and connectors during troubleshooting.

CAUTION: Risk of product damage. Do not insert anything other than the sensor wire into the sensor wire connector (phone jack) on the circuit board.

NOTE: For service parts information, visit your product page at kohler.com.

Faucet Troubleshooting Table

Symptoms	Probable Causes	Recommended Action
1. No water flow.	A. The supply stops are closed.	A. Confirm that the supply stops are open.
	B. Handle is in the closed position.	B. Rotate the handle to the open position. Refer to the "Faucet Operation" section.
	C. The hot and/or cold supply hose is kinked.	C. Confirm that the supply hoses are not kinked. If coiled, maintain an inside diameter (ID) of 3" (76 mm).

Troubleshooting (cont.)

Faucet Troubleshooting Table

Symptoms	Probable Causes	Recommended Action
	D. The outlet hose is kinked.	D. Confirm that the solenoid valve is located within 7" (178 mm) to 8" (203 mm) of the faucet centerline.
	E. Handle LED is not lit.	E. Refer to the "Handle Switch Troubleshooting Table."
	F. Power LED on circuit board is not lit.	F. Refer to the "Sensor Troubleshooting Table."
	G. One or more screens are clogged.	G. Refer to the "Cleaning the Screens" section.
2. Low water flow.	A. The supply stops are partially closed.	A. Confirm that the supply stops are fully open.
	B. Handle is partially closed.	B. Rotate the handle to the full open position.
	C. The hot and/or cold supply hose is kinked or twisted.	C. Confirm that the supply hoses are not kinked or twisted. If coiled, maintain an ID of 3" (76 mm).
	D. The outlet hose is kinked.	D. Confirm that the solenoid valve is located within 7" (178 mm) to 8" (203 mm) of the faucet centerline.
	E. One or more screens are clogged.	E. Refer to the "Cleaning the Screens" section.
	F. Cracked diaphragm.	F. Replace the solenoid valve assembly.
3. Poor spray pattern.	A. The spray nozzles are clogged.	A. Rub your finger over the nozzles with water running to dislodge debris.

Troubleshooting (cont.)

Faucet Troubleshooting Table

Symptoms	Probable Causes	Recommended Action
4. Power LED is not lit.	A. No power to the circuit board.	A. Check the power supply connections to the circuit board.
	B. Power cord is plugged into a switched outlet.	B. Plug the power cord into an unswitched 120 VAC outlet (test the outlet with a radio or other device). Confirm that the power LED illuminates.
5. Water drips or trickles when faucet is not in use.	A. Manual override is partially engaged.	A. Turn the manual override clockwise until it stops; then turn it counterclockwise until the water drip stops.

Solenoid Troubleshooting Table

Symptoms	Probable Causes	Recommended Action
1. Water leaks from the solenoid valve.	A. Hose connections are not secure.	A. CAUTION: Risk of personal injury or product damage. Turn off the main power and water supply. Check all connections. Make adjustments as needed.
	B. Internal leak.	B. Replace the solenoid valve assembly.
2. No audible "click" when solenoid is activated.	A. Loose solenoid wire connection.	A. Check solenoid wire connection to the circuit board.
	B. Solenoid valve is not functioning.	B. Replace the solenoid valve assembly.

Handle Switch Troubleshooting Table

Symptoms	Probable Causes	Recommended Action
1. Handle LED is lit when the handle is closed.	A. Valve setscrew needs adjustment.	A. Refer to the "Handle LED Adjustment" section.

Troubleshooting (cont.)

Handle Switch Troubleshooting Table

Symptoms	Probable Causes	Recommended Action
2. Handle does not return to the upright position.	A. Valve setscrew needs adjustment.	A. Refer to the "Handle LED Adjustment" section.
3. Water does not fully shut off.	A. Valve setscrew needs adjustment.	A. Refer to the "Handle LED Adjustment" section.
4. Handle LED does not illuminate when the handle is rotated open.	A. Loose handle switch wire connection.	A. Check handle switch wire connection to the circuit board.
	B. Circuit board is not functioning correctly.	B. Replace the cover assembly.

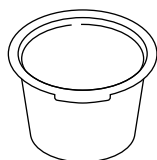
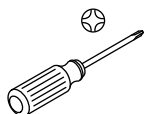
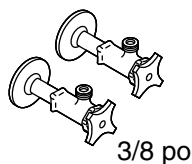
Sensor Troubleshooting Table

Symptoms	Probable Causes	Recommended Action
1. Intermittent sensor operation.	A. Debris on the sensor lens.	A. Use mild soap and water to gently remove debris from the sensor lens.
	B. Sensor is detecting steam.	B. Rotate the spout away from the steam.
2. Handle LED is lit, but power LED is not.	A. Loose sensor wire connection.	A. Check sensor wire connection to the circuit board.
	B. Debris on the sensor wire connector.	B. At the circuit board, gently disconnect, clean, and reconnect the sensor wire connector.
	C. Circuit board is not functioning.	C. Replace the cover assembly.

Guide d'installation et d'entretien

Robinet d'évier électronique

Outils et matériel



Plus :

- Prise électrique non commutée

Avant de commencer



AVERTISSEMENT: Risque de contamination de l'eau potable. Ce robinet comprend une protection contre le siphonnage à rebours. Ne pas retirer les composants internes.



AVERTISSEMENT: Lors de l'utilisation de produits électriques, toujours observer les précautions de base, notamment:



DANGER: Risque de choc électrique. Raccorder uniquement à un circuit protégé par un disjoncteur de fuite de terre (GFCI)*.



AVERTISSEMENT: Risque de choc électrique. Une mise à la terre est requise. Un électricien qualifié doit effectuer toutes les connexions électriques.



AVERTISSEMENT: Risque de choc électrique. Déconnecter l'alimentation électrique avant d'effectuer un entretien.



AVERTISSEMENT: Risque de blessures ou d'endommagement du matériel. Lire toutes les instructions avec attention avant de commencer l'installation.

Avant de commencer (cont.)



ATTENTION: Risque de dommages matériels. Le bec du robinet comprend un aimant. Ne pas laisser des objets pouvant subir des dommages électromagnétiques s'approcher du bec.

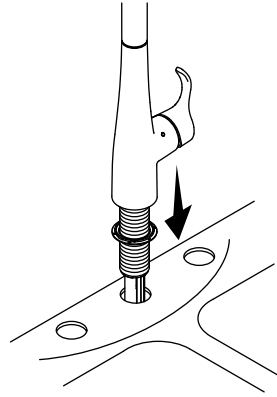
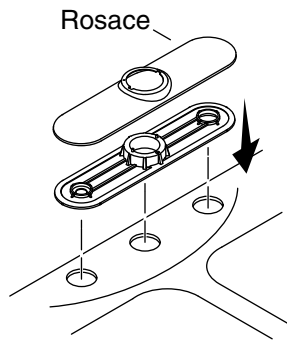
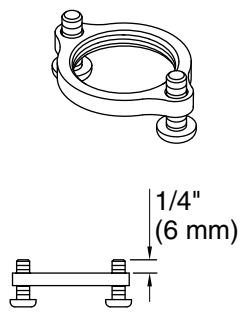
Respecter tous les codes de plomberie, d'électricité et de construction.

* Hors de l'Amérique du Nord, ce dispositif peut être connu sous le nom de dispositif à courant résiduel (RCD).

ATTENTION: Risque d'endommagement du produit. Ce produit contient des composants électroniques sensibles. Ne pas entreposer les récipients de produits chimiques ou de nettoyage près de ce produit. Les chiffons ou éponges de nettoyage doivent être rincés avec de l'eau fraîche avant le stockage.

IMPORTANT! Ne pas utiliser de prise de courant commandée par interrupteur (généralement utilisée pour les broyeurs de déchets) pour fournir une alimentation au robinet.

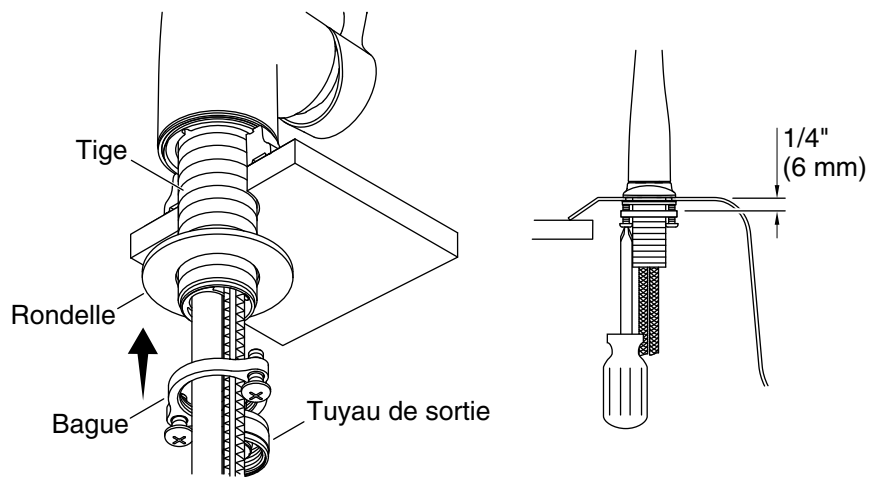
- Produit laser Classe 1 : conforme aux normes 21 CFR 1040.10 et 1040.11.
- Respecter tous les codes de plomberie et de bâtiment locaux.
- Fournir une prise électrique continue de 120 V c.a. **non commutée** placée sous l'évier à 5' (1,5 m) du boîtier de commande.
- Couper l'alimentation en eau.
- Pour de nouvelles installations, assembler le robinet sur l'évier avant d'installer ce dernier.
- Pour des surfaces de fixation inégales (telles que des lignes de joints de carrelage), appliquer du mastic d'étanchéité adéquat sous le robinet. **Ne pas utiliser du mastic d'étanchéité à base de pétrole.**



1. Se préparer pour l'installation

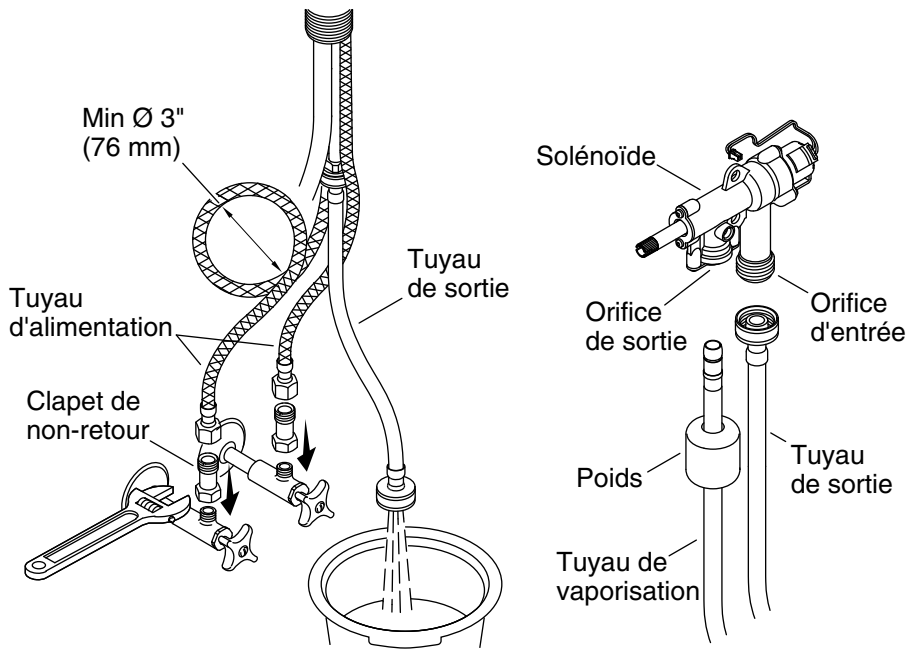
REMARQUE: L'orientation de la poignée est conçue pour se trouver sur la droite.

- Enfiler les vis dans l'anneau sur 1/4" (6 mm) au-delà de la surface.
- Utiliser la rosace incluse avec le robinet.
- Insérer le robinet à travers la surface de fixation avec la poignée sur la droite.



2. Installer le robinet

- Glisser la rondelle et l'anneau sur le tuyau de sortie, puis sur les autres tuyaux et fils, et enfin vers le haut de la tige.
- Visser l'anneau sur la tige jusqu'à ce qu'il entre en contact avec le dessous de l'évier.
- Ajuster l'anneau de manière à aligner les vis sur l'avant et l'arrière du robinet.
- Utiliser un tournevis à pointe cruciforme pour serrer les vis en toute sécurité.



3. Connecter les alimentations

ATTENTION: Risque de limitation de débit d'eau et d'endommagement du produit. Les tuyaux d'alimentation ne doivent pas être tendus, déformés ou tordus pendant l'installation. Si les tuyaux d'alimentation doivent être embobinés, maintenir un diamètre intérieur de 3" (76 mm).

ATTENTION: Risque de contamination de l'eau potable. Pour prévenir une contamination par de l'eau, les clapets de non-retour doivent être installés.

Connecter les alimentations

- Assembler un clapet de non-retour sur chaque alimentation.
- Connecter et serrer les tuyaux d'alimentation sur les clapets de non-retour.
- Placer un seau sous le tuyau de sortie.
- Ouvrir les alimentations.
- Purger l'eau chaude et froide pendant 1 minute pour éliminer les débris.

Connecter les alimentations (cont.)

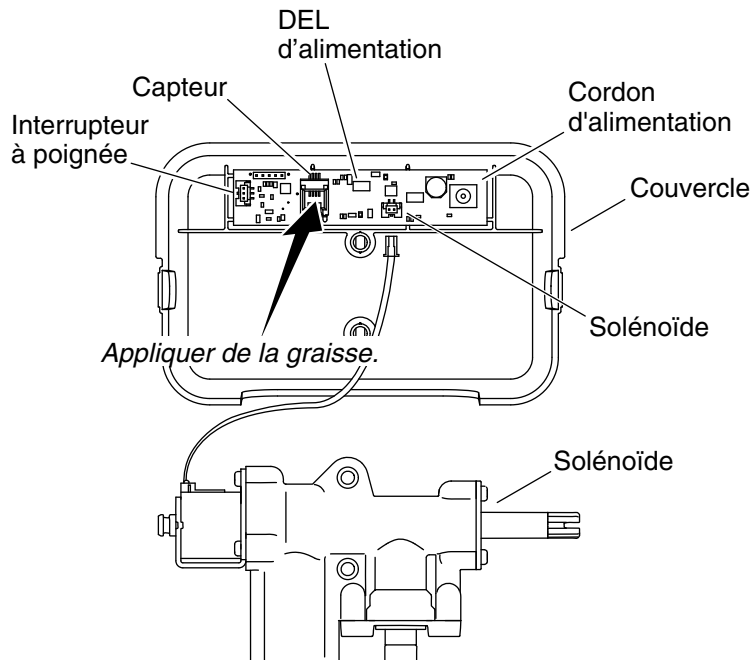
- Connecter le tuyau de sortie au solénoïde.

Connecter le tuyau du vaporisateur

- Retirer le capuchon de protection.

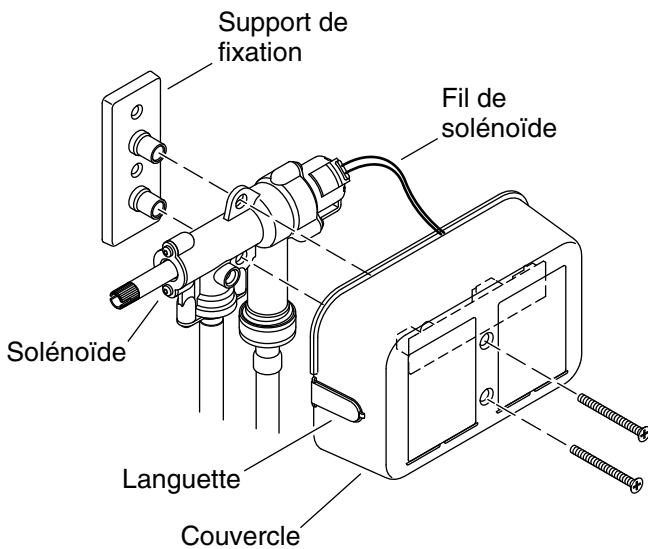
REMARQUE: Le poids doit être installé sur le tuyau du vaporisateur pour agir en tant qu'arrêt à traction et pour empêcher les dommages dus à une déformation.

- Faire glisser le poids sur le tuyau du vaporisateur.
- Connecter le tuyau de vaporisation à la sortie du solénoïde.



4. Connecter les fils

- Appliquer de la graisse (fournie) sur la douille du capteur se trouvant sur la carte de circuits imprimés à l'intérieur du couvercle. Ceci fournira une protection supplémentaire contre la corrosion.
- Connecter les fils de l'interrupteur de la poignée et du capteur entre le robinet et la carte de circuits imprimés.
- Connecter le cordon d'alimentation à la carte de circuits imprimés.
- Connecter le fil du solénoïde à la carte de circuits imprimés.
- Brancher le cordon d'alimentation dans une prise de 120 V c.a. non commutée. La DEL d'alimentation de la carte de circuits imprimés s'allumera.
- Tester l'activation du capteur. Se référer à la section "Fonctionnement du robinet".



5. Installer le solénoïde



ATTENTION: Risque de débit d'eau restreint. Le tuyau de sortie ne doit pas être tendu ou déformé pendant l'installation. Positionner l'électrovanne dans un rayon de 7" (178 mm) à 8" (203 mm) de la ligne centrale du robinet.

REMARQUE: Positionner l'électrovanne dans un rayon de 7" (178 mm) à 8" (203 mm) à partir de la ligne centrale du robinet. Laisser un dégagement adéquat pour l'entretien.

Monter le support

REMARQUE: Le support de fixation doit être fixé avec deux dispositifs d'attache adéquats (non fournis) en fonction du type et de l'épaisseur du meuble ou du matériau du mur.

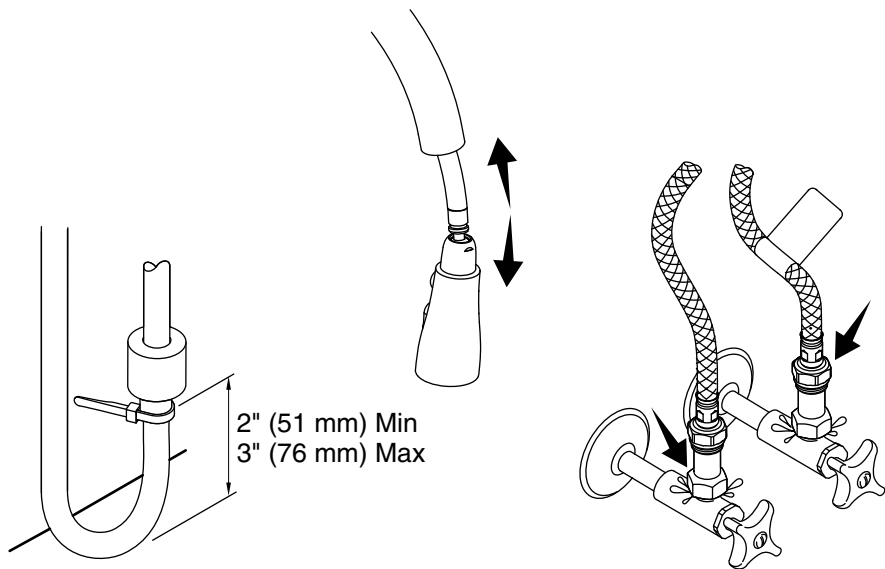
- Attacher le support de fixation à la verticale sur le meuble ou le mur.

Monter le solénoïde et le couvercle

REMARQUE: Le solénoïde peut être placé à droite ou à gauche. Retirer la languette adéquate sur le couvercle.

Installer le solénoïde (cont.)

- Positionner le solénoïde et le couvercle sur le support de fixation.
- Fixer le solénoïde et le couvercle sur le support de fixation avec les deux vis fournies.



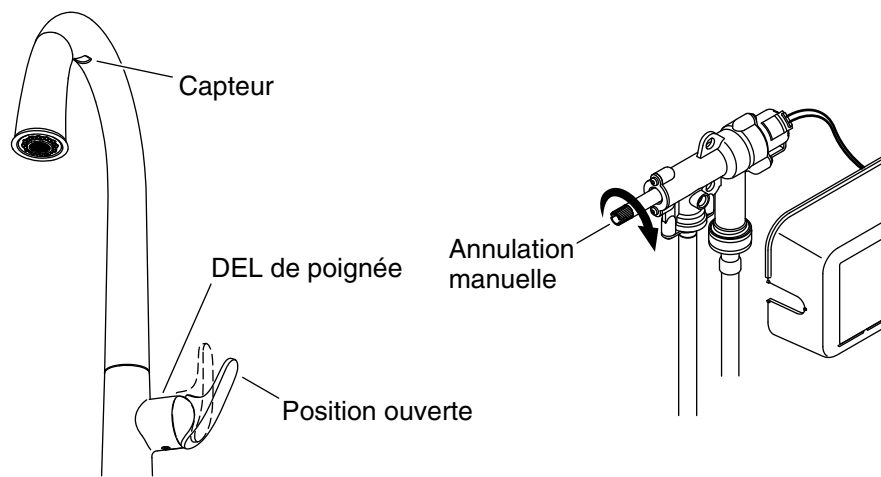
6. Terminer l'installation

Positionner le poids

- Positionner le poids entre 2" (51 mm) et 3" (76 mm) du sol du meuble.
- Sécuriser l'attache du câble autour du tuyau du vaporisateur, juste en dessous du poids.
- Étendre et rétracter le tuyau de vaporisation pour vérifier le fonctionnement adéquat.

Rechercher des fuites

- S'assurer que tous les raccords sont bien serrés.
- Ouvrir les alimentations en eau et vérifier tous les raccords pour y rechercher des fuites éventuelles.
- Tester le robinet pour assurer un fonctionnement adéquat. Se référer à la section "Fonctionnement du robinet".



Fonctionnement du robinet

- Tourner la poignée vers l'extérieur en position ouverte pour démarrer le débit d'eau. La DEL de la poignée s'allume pour indiquer que le capteur fonctionne.
- Ajuster la poignée à la température d'eau souhaitée.
- Agiter la main sous le bec pour arrêter le débit d'eau.
- Agiter de nouveau la main sous le bec pour redémarrer le débit d'eau.

REMARQUE: Certains objets qui sont transparents et certaines couleurs ne peuvent pas être détectés par le capteur. Utiliser toujours la main pour tester le capteur.

- Si nécessaire, consulter la section "Réglage de la DEL de la poignée" pour obtenir de l'information supplémentaire.

REMARQUE: Lors de périodes prolongées de non utilisation, remettre la poignée à la position fermée (verticale). La DEL de la poignée s'éteint, et indique ainsi que le débit d'eau n'est pas disponible.

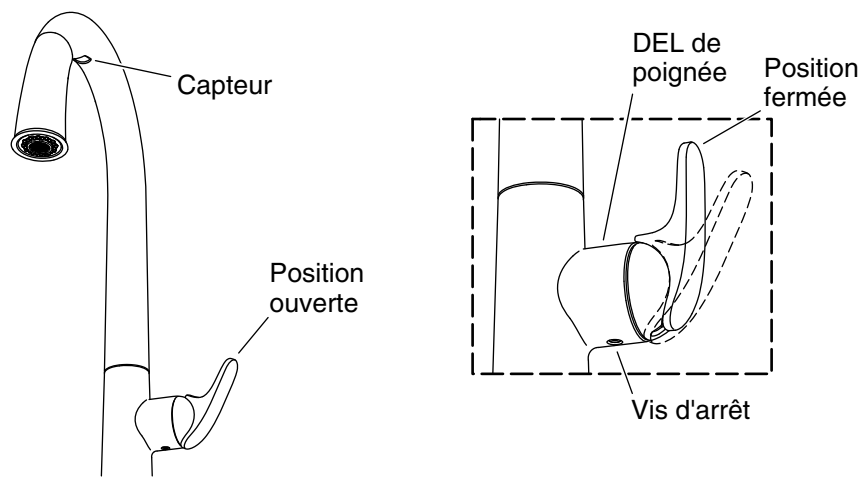
Voyants DEL

- **DEL de poignée:** S'allume lorsque le capteur est en marche.
- **DEL/Marche-Arrêt:** Indique que la carte de circuits imprimés est alimentée.

Fonctions

Fonctionnement du robinet (cont.)

- **Arrêt automatique:** Au bout de 4 minutes d'inactivité, l'eau s'arrête automatiquement.
- **Annulation du capteur:** En cas de perte d'alimentation, annuler la fonction du capteur en tournant la fonction d'annulation sur l'électrovanne. Le robinet peut alors être actionné manuellement.

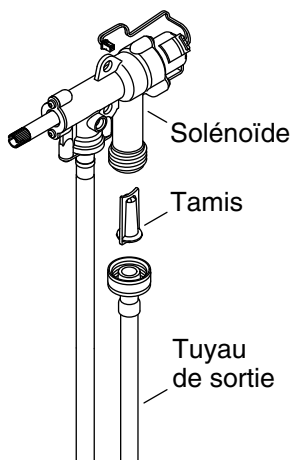
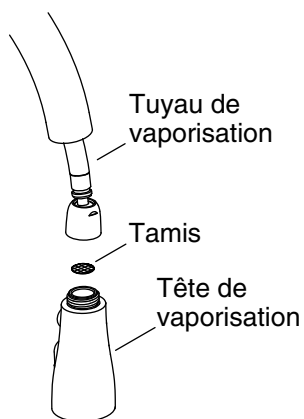


Réglage de la DEL de la poignée

REMARQUE: La DEL doit être allumée lorsque la poignée est tournée en position ouverte, et éteinte lorsque la poignée est en position verticale (fermée). Utiliser une clé hexagonale de 5/64" pour régler la vis d'arrêt de la vanne selon les besoins.

IMPORTANT! Ne pas appliquer de pression vers le haut sur la vis d'arrêt de la vanne pendant les ajustements.

- **La DEL est allumée lorsque la poignée est fermée:** Serrer la vis d'arrêt de la vanne jusqu'à ce que la DEL s'éteigne. Serrer ensuite la vis d'arrêt d'1/4 de tour supplémentaire.
- **La poignée ne retourne pas en position verticale:** Desserrer la vis d'arrêt de la vanne jusqu'à ce que la poignée tourne jusqu'à la position entièrement verticale (fermée) et que la DEL s'allume. Serrer ensuite la vis d'arrêt jusqu'à ce que la DEL s'éteigne, puis serrer d'1/4 de tour supplémentaire.
- **L'eau ne s'arrête pas entièrement de couler:** Desserrer la vis d'arrêt de la vanne jusqu'à ce que la poignée tourne jusqu'à la position entièrement verticale (fermée) et que la DEL s'allume. Serrer ensuite la vis d'arrêt jusqu'à ce que la DEL s'éteigne, puis serrer d'1/4 de tour supplémentaire.



Nettoyer les tamis

Tamis de tête de vaporisation

- Tourner la poignée en position fermée.
- Déconnecter l'écrou à l'extrémité du tuyau du vaporisateur.
- Retirer et nettoyer l'écran à l'intérieur du tuyau du vaporisateur.
- Réinsérer le tamis et reconnecter la tête de vaporisation.

Tamis d'entrée de solénoïde

- Tourner la poignée en position fermée.
- Déconnecter le tuyau de sortie du solénoïde.
- Retirer et nettoyer le tamis d'entrée à l'intérieur du solénoïde.
- Réinstaller le tamis d'entrée et reconnecter le tuyau de sortie.

Entretien et nettoyage

Pour obtenir les meilleurs résultats possibles, prendre ce qui suit en considération lors de l'entretien de votre produit KOHLER:

- Utiliser un détergent doux comme du liquide pour vaisselle et de l'eau chaude pour nettoyer. Ne pas utiliser de nettoyeurs abrasifs qui pourraient rayer ou ternir la surface.
- Lire l'étiquette du produit de nettoyage avec le plus grand soin pour assurer que celui-ci peut être utilisé sans danger sur le matériau.

Entretien et nettoyage (cont.)

- Toujours tester la solution de nettoyage sur une surface non visible avant de l'appliquer sur l'ensemble de la surface.
- Ne pas laisser les nettoyants reposer ou tremper sur la surface.
- Essuyer les surfaces et rincer complètement avec de l'eau immédiatement après l'application du nettoyant. Rincer et sécher tout éclaboussement sur les surfaces avoisinantes.
- Utiliser une éponge ou un chiffon doux et humide. Ne jamais utiliser de matériau abrasif tel qu'une brosse ou une éponge à récurer pour nettoyer les surfaces.

Pour obtenir des renseignements détaillés sur le nettoyage et les produits à considérer, consulter le site www.kohler.com/clean. Pour commander des renseignements sur le nettoyage, appeler le 1-800-456-4537.

Dépannage

ATTENTION: Risque d'endommagement du produit. Ce produit contient des composants électroniques sensibles. Procéder avec soin afin d'éviter d'endommager les goupilles et les connecteurs pendant le dépannage.

ATTENTION: Risque d'endommagement du produit. Ne pas insérer quoi que ce soit d'autre que le fil du capteur dans le connecteur du fil du capteur (sortie casque) sur la carte de circuits imprimés.

REMARQUE: Pour tout renseignement sur les pièces de rechange, visiter la page du produit sur le site kohler.com.

Tableau de dépannage du robinet

Symptômes	Causes probables	Action recommandée
1. Pas d'écoulement d'eau.	A. Les robinets d'arrêt d'alimentation sont fermés.	A. Confirmer que les robinets d'arrêt d'alimentation sont ouverts.
	B. La poignée est en position fermée.	B. Tourner la poignée en position ouverte. Se référer à la section "Fonctionnement du robinet".

Dépannage (cont.)**Tableau de dépannage du robinet**

Symptômes	Causes probables	Action recommandée
	C. Le tuyau d'alimentation chaud et/ou froid est déformé.	C. Vérifier que les tuyaux d'alimentation ne sont pas déformés. S'ils sont enroulés, maintenir un diamètre intérieur de 3" (76 mm).
	D. Le tuyau de sortie est déformé.	D. Confirmer que l'électrovanne est placée dans un rayon de 7" (178 mm) à 8" (203 mm) de la ligne centrale du robinet.
	E. La DEL de la poignée n'est pas allumée.	E. Se reporter au "Tableau de dépannage de l'interrupteur de la poignée".
	F. La DEL d'alimentation de la carte de circuits imprimés n'est pas allumée.	F. Se reporter au "Tableau de dépannage du capteur".
	G. Un ou plusieurs tamis sont bouchés.	G. Se référer à la section "Nettoyer les tamis".
2. Débit d'eau bas.	A. Les robinets d'arrêt d'alimentation sont fermés partiellement.	A. Confirmer que les robinets d'arrêt d'alimentation sont entièrement ouverts.
	B. La poignée est fermée partiellement.	B. Tourner la poignée en position entièrement ouverte.
	C. Le tuyau d'alimentation en eau chaude et/ou froide est déformé ou tordu.	C. Confirmer que les tuyaux d'alimentation ne sont pas déformés ou tordus. S'ils sont enroulés, maintenir un diamètre intérieur de 3" (76 mm).

Dépannage (cont.)

Tableau de dépannage du robinet

Symptômes	Causes probables	Action recommandée
	D. Le tuyau de sortie est déformé.	D. Confirmer que l'électrovanne est placée dans un rayon de 7" (178 mm) à 8" (203 mm) de la ligne centrale du robinet.
	E. Un ou plusieurs tamis sont bouchés.	E. Se référer à la section "Nettoyer les tamis".
	F. Diaphragme craquelé.	F. Remplacer l'ensemble de l'électrovanne.
3. Mauvais schéma du vaporisateur.	A. Les buses du vaporisateur sont bouchées.	A. Frotter le doigt par-dessus les buses en faisant couler de l'eau pour déloger les débris.
4. La DEL d'alimentation n'est pas allumée.	A. Pas d'alimentation vers la carte de circuits imprimés.	A. Vérifier les connexions de l'alimentation électrique vers la carte de circuits imprimés.
	B. Le cordon d'alimentation est branché dans une prise commutée.	B. Brancher le cordon d'alimentation dans une prise de 120 V c.a. non commutée (tester la prise avec une radio ou un autre appareil). Confirmer que la DEL d'alimentation s'allume.
5. Égouttement ou minces filets d'eau lorsque le robinet n'est pas utilisé.	A. La commande de neutralisation manuelle est engagée partiellement.	A. Tourner la commande d'annulation manuelle dans le sens horaire jusqu'à ce qu'elle s'arrête; tourner ensuite la commande dans le sens horaire jusqu'à ce que l'égouttement d'eau s'arrête.

Dépannage (cont.)

Tableau de dépannage de solénoïde

Symptômes	Causes probables	Action recommandée
1. Fuites d'eau en provenance de l'électrovanne.	A. Les raccords de tuyaux ne sont pas sécurisés.	A. ATTENTION: Risque de blessures ou d'endommagement du produit. Couper le courant principal et l'alimentation en eau. Inspecter toutes les connexions. Effectuer les ajustements selon les besoins.
	B. Fuite interne.	B. Remplacer l'ensemble de l'électrovanne.
2. Aucun "clic" audible lors de l'activation du solénoïde.	A. Connexion de fil de solénoïde desserrée.	A. Vérifier la connexion du fil du solénoïde vers la carte de circuits imprimés.
	B. L'électrovanne ne fonctionne pas.	B. Remplacer l'ensemble de l'électrovanne.

Tableau de dépannage de l'interrupteur de la poignée

Symptômes	Causes probables	Action recommandée
1. La DEL de la poignée est allumée lorsque la poignée est fermée.	A. La vis d'arrêt de la vanne doit être réglée.	A. Se référer à la section "Réglage de la DEL de la poignée".
2. La poignée ne retourne pas en position verticale.	A. La vis d'arrêt de la vanne doit être réglée.	A. Se référer à la section "Réglage de la DEL de la poignée".
3. L'eau ne s'arrête pas entièrement de couler.	A. La vis d'arrêt de la vanne doit être réglée.	A. Se référer à la section "Réglage de la DEL de la poignée".

Dépannage (cont.)

Tableau de dépannage de l'interrupteur de la poignée

Symptômes	Causes probables	Action recommandée
4. La DEL de la poignée ne s'allume pas lorsque la poignée est tournée en position ouverte.	A. Connexion de fil d'interrupteur de poignée desserrée.	A. Inspecter la connexion du fil de l'interrupteur de poignée vers la carte de circuits imprimés.
	B. La carte de circuits imprimés ne fonctionne pas correctement.	B. Remplacer l'ensemble du couvercle.

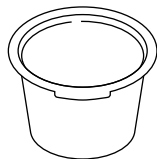
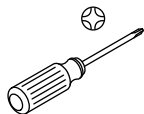
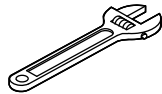
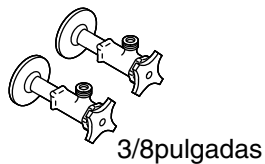
Tableau de dépannage de capteur

Symptômes	Causes probables	Action recommandée
1. Fonctionnement intermittent du capteur.	A. Débris sur la lentille du capteur.	A. Utiliser du savon doux et de l'eau pour doucement retirer les débris de la lentille du capteur.
	B. Le capteur détecte de la vapeur.	B. Tourner le bec pour l'éloigner de la vapeur.
2. La DEL de la poignée est allumée, mais la DEL d'alimentation ne l'est pas.	A. Connexion de fil de capteur desserrée.	A. Vérifier la connexion du fil du capteur vers la carte de circuits imprimés.
	B. Débris sur le connecteur du fil du capteur.	B. Sur la carte de circuits imprimés, déconnecter, nettoyer et reconnecter avec précaution le connecteur du fil du capteur.
	C. La carte de circuits imprimés ne fonctionne pas.	C. Remplacer l'ensemble du couvercle.

Guía de instalación y cuidado

Grifería electrónica de fregadero

Herramientas y materiales



Más:

- Tomacorriente eléctrico no conmutado

Antes de comenzar



ADVERTENCIA: Riesgo de contaminación del agua. Esta grifería tiene protección contra contrasifonaje. No retire ninguno de los componentes internos.



ADVERTENCIA: Al usar aparatos eléctricos siempre cumpla las precauciones básicas, como las siguientes:



PELIGRO: Riesgo de sacudidas eléctricas. Solamente conecte a un circuito protegido por un interruptor de circuito con pérdida a tierra (GFCI)*.



ADVERTENCIA: Riesgo de sacudidas eléctricas. Se requiere conexión a tierra. Un electricista calificado debe hacer todas las conexiones eléctricas.



ADVERTENCIA: Riesgo de sacudidas eléctricas. Desconecte el suministro eléctrico antes de dar servicio.



ADVERTENCIA: Riesgo de lesiones personales o de daños a la propiedad. Antes de comenzar la instalación, lea atentamente todas las instrucciones.

Antes de comenzar (cont.)



PRECAUCIÓN: Riesgo de daños a la propiedad. El surtidor de la grifería tiene un imán. No acerque al surtidor objetos susceptibles a sufrir daños electromagnéticos.

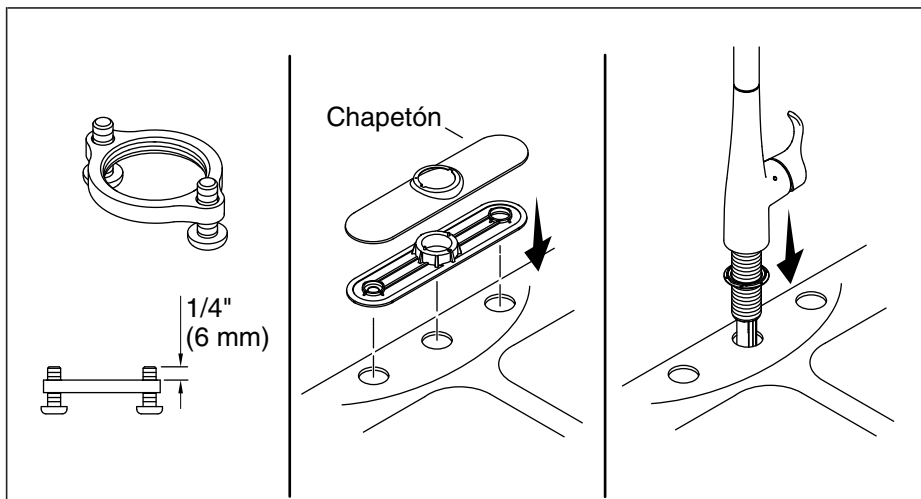
Cumpla todos los códigos de plomería, eléctricos y de construcción.

*Fuera de Estados Unidos es posible que este dispositivo se conozca como dispositivo de corriente residual (RCD, por sus siglas en inglés).

PRECAUCIÓN: Riesgo de daños al producto. Este producto tiene componentes electrónicos sensibles. No almacene recipientes abiertos de productos químicos o de productos de limpieza cerca de este producto. Las esponjas y los trapos de limpieza se deben enjuagar con agua limpia antes de guardarlos.

¡IMPORTANTE! No utilice un tomacorriente controlado por interruptor (típicamente para trituradores de desperdicios de alimentos) para el suministro eléctrico a la grifería.

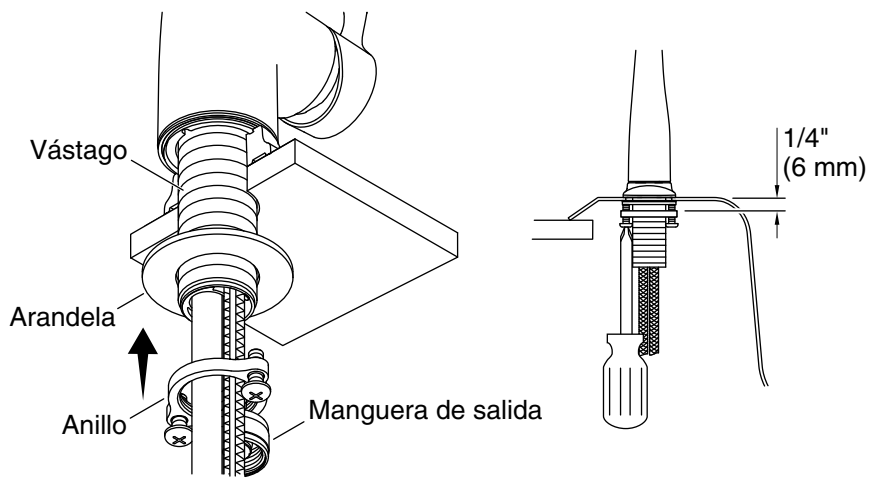
- Producto de láser clase 1: Cumple las normas 21 CFR 1040.10 y 1040.11.
- Cumpla todos los códigos locales de plomería y de construcción.
- Asegúrese de que haya un tomacorriente eléctrico **no conmutado** constante de 120 VCA bajo el fregadero, a menos de 5 pies (1,5 m) de la caja de control.
- Cierre el suministro de agua.
- En instalaciones nuevas, ensamble la grifería al fregadero antes de instalar el fregadero.
- En superficies de montaje disperejas (con líneas de lechada de cemento en azulejo) aplique un sellador adecuado bajo la grifería. **No use selladores derivados del petróleo.**



1. Prepare la instalación

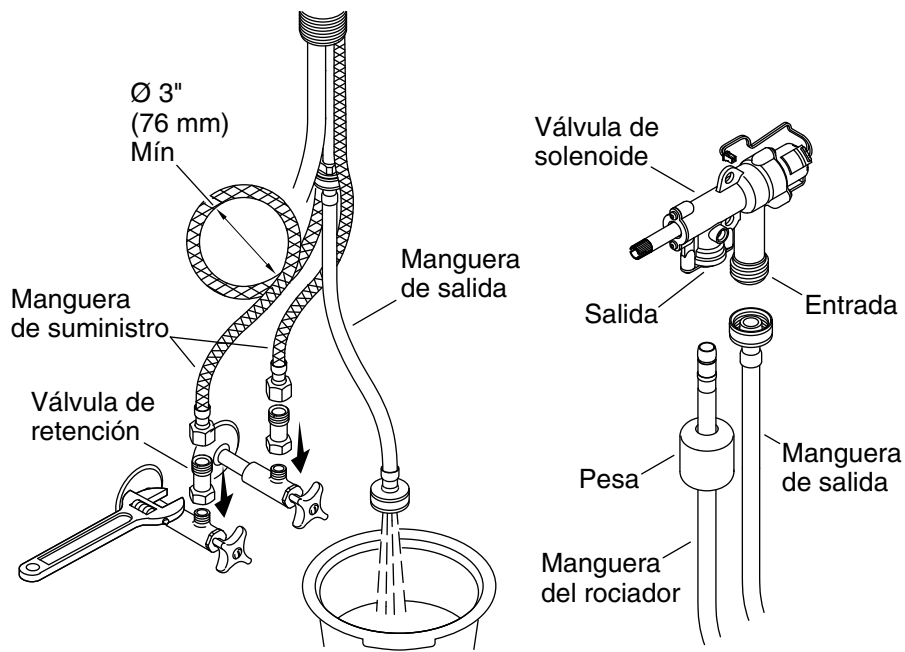
NOTA: La manija está diseñada para quedar del lado derecho.

- Enrosque los tornillos en el anillo hasta que sobresalgan 1/4" (6 mm) de la superficie.
- Use el chapetón que se incluye con su grifería.
- Introduzca la grifería a través de la superficie de montaje, con la manija hacia la derecha.



2. Instale la grifería

- Deslice la arandela y el anillo sobre la manguera de salida, y luego introduzca las mangueras de suministro y los cables.
- Enrosque el anillo en el vástago hasta que la arandela haga contacto con la cara inferior del fregadero.
- Ajuste el anillo para alinear los tornillos con la parte delantera y posterior de la grifería.
- Apriete bien los tornillos con un destornillador Phillips.



3. Conecte los suministros

PRECAUCIÓN: Riesgo de restricción de flujo de agua y de daños al producto. Las mangueras de suministro no deben quedar tensas, pellizcadas ni torcidas al instalarlas. Si debe enrollar las mangueras de suministro, mantenga un diámetro interior de 3" (76 mm).

PRECAUCIÓN: Riesgo de contaminación del agua. Para evitar la contaminación de agua, es necesario instalar las válvulas de retención.

Conecte los suministros

- Ensamble una válvula de retención en cada suministro.
- Conecte y apriete las mangueras de suministro a las válvulas de retención.
- Coloque una cubeta bajo la manguera de salida.
- Abra los suministros.
- Deje correr agua caliente y fría durante 1 minuto para que salgan todos los residuos.

Conecte los suministros (cont.)

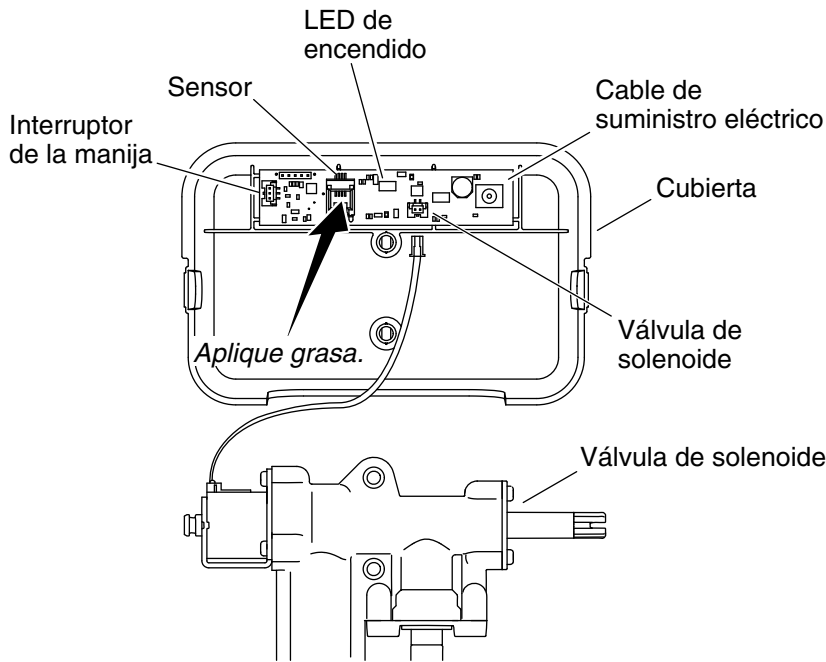
- Conecte la manguera de salida a la entrada de la válvula de solenoide.

Conecte la manguera del rociador

- Retire la tapa protectora.

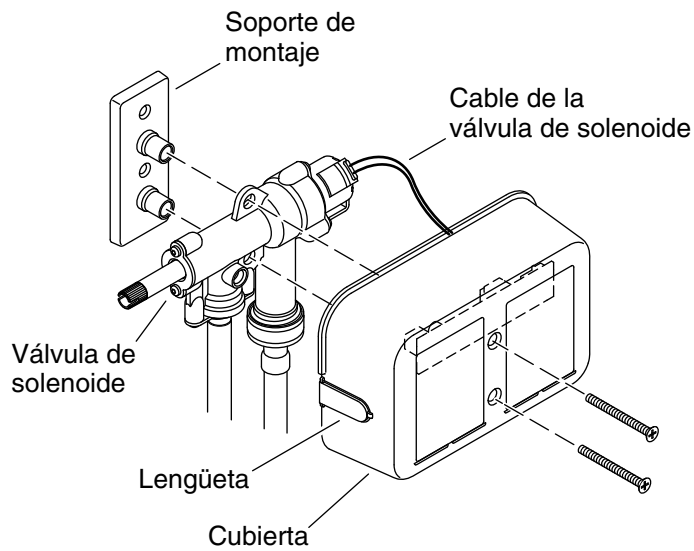
NOTA: La pesa debe quedar instalada en la manguera del rociador para que actúe como tope de jalar y para evitar daños por torceduras.

- Deslice la pesa en la manguera del rociador.
- Conecte la manguera del rociador a la salida de la válvula de solenoide.



4. Conecte los cables

- Aplique grasa (se incluye) al casquillo del sensor ubicado en el tablero de circuitos dentro de la cubierta. Esto ofrece protección adicional contra la corrosión.
- Conecte los cables del interruptor de la manija y del sensor de la grifería al tablero de circuitos.
- Conecte el cable de suministro eléctrico al tablero de circuitos.
- Conecte el cable de la válvula de solenoide al tablero de circuitos.
- Enchufe el cable eléctrico a un tomacorriente no conmutado de 120 VCA. Se ilumina el diodo (LED) de encendido en el tablero de circuitos.
- Pruebe la activación del sensor. Consulte la sección "Funcionamiento de la grifería".



5. Instale la válvula de solenoide



PRECAUCIÓN: Riesgo de restricción de flujo de agua. La manguera de salida no debe quedar tensa ni torcida al instalarla. Coloque la válvula de solenoide de 7" (178 mm) a 8" (203 mm) de la línea de centros de la grifería.

NOTA: Coloque la válvula de solenoide de 7" (178 mm) a 8" (203 mm) de la línea de centros de la grifería. Deje el espacio libre adecuado para dar servicio.

Instale el soporte

NOTA: El soporte de montaje se debe fijar con dos sujetadores adecuados (no se incluyen) de acuerdo al tipo y al grosor del gabinete o del material de la pared.

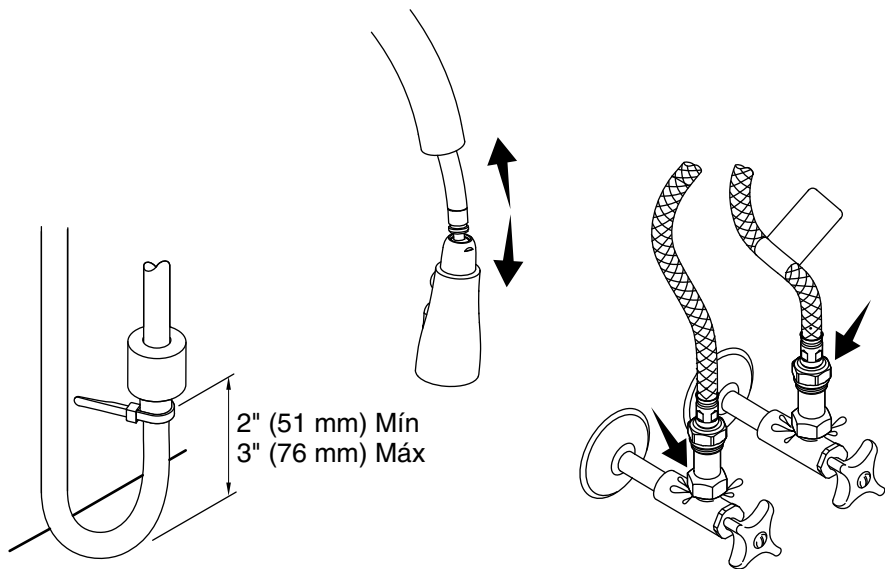
- Fije el soporte de montaje verticalmente con respecto al gabinete o a la pared.

Instale la válvula de solenoide y la cubierta

NOTA: La válvula de solenoide se puede colocar a la derecha o a la izquierda. Retire la lengüeta correspondiente en la cubierta.

Instale la válvula de solenoide (cont.)

- Coloque la válvula de solenoide y la cubierta en el soporte de montaje.
- Fije la válvula de solenoide y la cubierta al soporte de montaje con los dos tornillos que se incluyen.



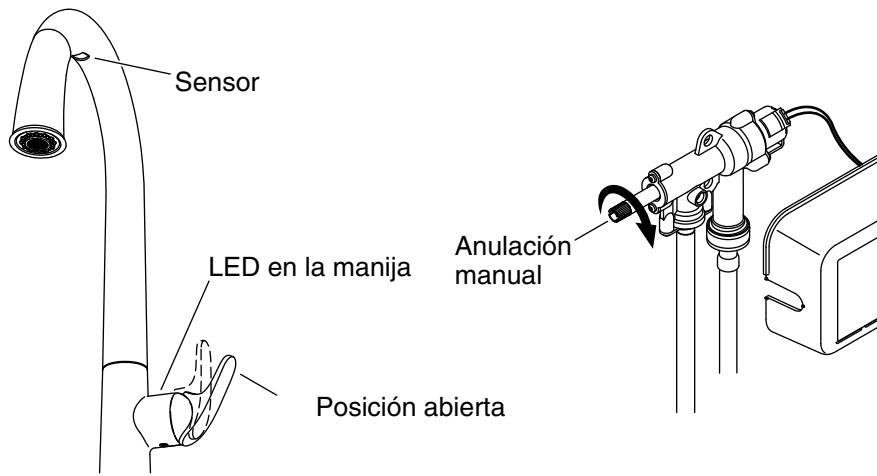
6. Termine de hacer la instalación

Coloque la pesa

- Coloque la pesa de 2" (51 mm) a 3" (76 mm) del piso del gabinete.
- Fije el sujetacables alrededor de la manguera del rociador justo bajo la pesa.
- Saque y retraiga la manguera del rociador para verificar que funcione sin dificultades.

Verifique que no haya fugas

- Asegúrese de que todas las conexiones estén apretadas.
- Abra los suministros de agua, y verifique que no haya fugas en ninguna conexión.
- Compruebe que la grifería funcione correctamente. Consulte la sección "Funcionamiento de la grifería".



Funcionamiento de la grifería

- Gire la manija hacia fuera, a la posición abierta, para abrir el flujo de agua. El diodo (LED) de la manija se ilumina para indicar que el sensor está funcionando.
- Ajuste la manija a la temperatura de agua deseada.
- Pase la mano bajo el surtidor para cerrar el flujo de agua.
- Pase la mano de nuevo bajo el surtidor para volver a abrir el flujo de agua.

NOTA: Algunos objetos transparentes y ciertos colores no son detectables por el sensor. Siempre use la mano para probar el sensor.

- Si es necesario, consulte la sección "Ajuste del LED en la manija" para obtener más información.

NOTA: Durante periodos prolongados sin uso, vuelva a colocar la manija en la posición cerrada (vertical). El LED en la manija se apaga para indicar que no hay flujo de agua disponible.

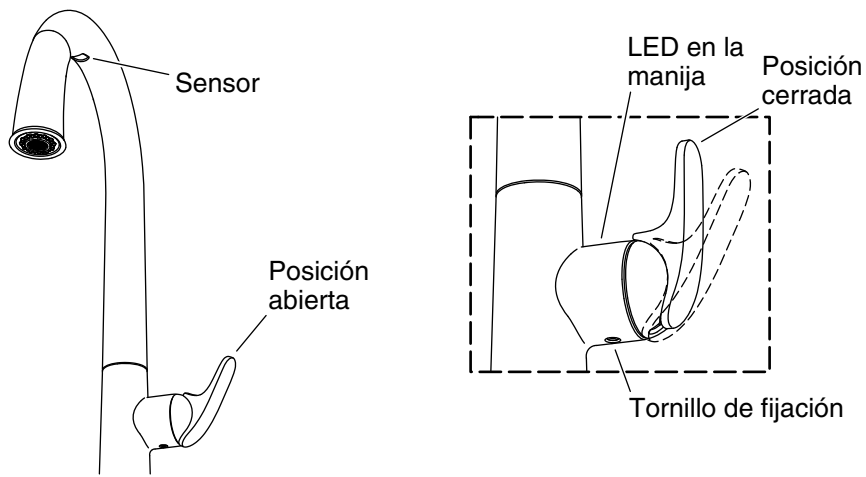
Indicadores LED

- **LED en la manija:** Se ilumina cuando el sensor está activo.
- **LED de encendido:** Indica que el tablero de circuitos tiene suministro eléctrico.

Características

Funcionamiento de la grifería (cont.)

- **Cierre automático:** Después de 4 minutos de inactividad, el agua se apaga automáticamente.
- **Anulación del sensor:** En el caso de pérdida de suministro eléctrico, active la función de anulación en la válvula de solenoide para evitar la función del sensor. La grifería puede entonces funcionar manualmente.

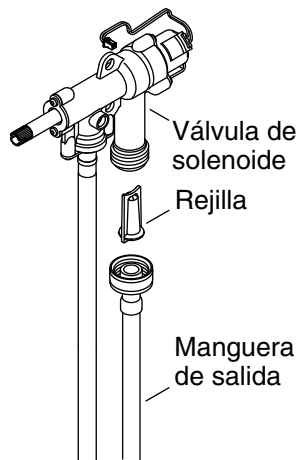
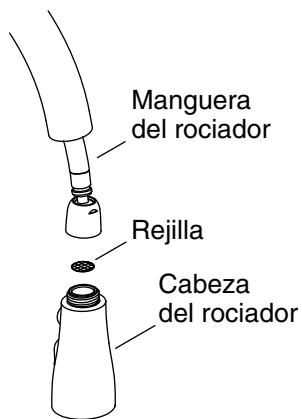


Ajuste del diodo (LED) en la manija

NOTA: El diodo emisor de luz (LED) debe encenderse al girar la manija a la posición abierta, y debe apagarse cuando la manija está en la posición hacia arriba (cerrada). Con una llave hexagonal de 5/64" ajuste el tornillo de fijación de la válvula lo que sea necesario.

¡IMPORTANTE! Al ajustar, no aplique presión hacia arriba al tornillo de fijación de la válvula.

- **El LED se ilumina cuando la manija está cerrada:** Apriete el tornillo de fijación de la válvula hasta que se apague el LED. Luego apriete el tornillo de fijación 1/4 de vuelta adicional.
- **La manija no regresa a la posición vertical:** Afloje el tornillo de fijación de la válvula hasta que la manija gire a la posición vertical (cerrada) y se ilumine el LED. Luego apriete el tornillo de fijación hasta que el LED se apague, más 1/4 de vuelta adicional.
- **El agua no se cierra completamente:** Afloje el tornillo de fijación de la válvula hasta que la manija gire a la posición vertical (cerrada) y se ilumine el LED. Luego apriete el tornillo de fijación hasta que el LED se apague, más 1/4 de vuelta adicional.



Limpieza de las rejillas

Rejilla de la cabeza del rociador

- Gire la manija a la posición cerrada.
- Quite la tuerca en el extremo de la manguera del rociador.
- Retire y limpie la rejilla que está dentro de la manguera del rociador.
- Vuelva a introducir la rejilla y a conectar la cabeza del rociador.

Rejilla de entrada de la válvula de solenoide

- Gire la manija a la posición cerrada.
- Desconecte la manguera de salida de la válvula de solenoide.
- Retire y limpie la rejilla de entrada que está dentro de la válvula de solenoide.
- Vuelva a introducir la rejilla de entrada y vuelva a conectar la manguera de salida.

Cuidado y limpieza

Para obtener los mejores resultados, tenga presente lo siguiente al limpiar su producto KOHLER:

- Para limpiar utilice solamente detergente suave, como líquido para lavar vajillas, y agua tibia. No utilice limpiadores abrasivos que pudieran rayar u opacar la superficie.

Cuidado y limpieza (cont.)

- Lea atentamente la etiqueta del producto de limpieza para asegurarse de que no represente riesgos al usarse en el material.
- Siempre pruebe la solución de limpieza en un área oculta antes de aplicarla a toda la superficie.
- No deje los limpiadores durante mucho tiempo en la superficie.
- Limpie con un paño, y enjuague completa e inmediatamente con agua después de usar limpiadores. Enjuague y seque las superficies cercanas donde hayan caído salpicaduras.
- Utilice una esponja humedecida, o un paño suave y húmedo. Para limpiar las superficies nunca utilice materiales abrasivos, como cepillos o estropajos.

Para obtener información detallada de limpieza y de productos a considerar, visite www.kohler.com/clean. Para solicitar información sobre cuidado y limpieza, llame al 1-800-456-4537.

Resolución de problemas

PRECAUCIÓN: Riesgo de daños al producto. Este producto tiene componentes electrónicos sensibles. Tenga cuidado de no dañar las clavijas ni los conectores al resolver problemas.

PRECAUCIÓN: Riesgo de daños al producto. No inserte nada que no sea el cable del sensor en el conector del cable del sensor (conector de teléfono) en el tablero de circuitos.

NOTA: Para consultar información sobre piezas de repuesto, visite la página de su producto en kohler.com.

Resolución de problemas de la grifería

Síntomas	Causas probables	Acción recomendada
1. No hay flujo de agua.	A. Las llaves de paso están cerradas.	A. Verifique que las llaves de paso de suministro estén abiertas.
	B. La manija está en la posición cerrada.	B. Gire la manija a la posición abierta. Consulte la sección "Funcionamiento de la grifería".

Resolución de problemas (cont.)

Resolución de problemas de la grifería		
Síntomas	Causas probables	Acción recomendada
	C. La manguera de suministro de agua caliente y/o fría está torcida.	C. Confirme que las mangueras de suministro no estén torcidas. Si las enrolla, mantenga un diámetro interior de 3" (76 mm).
	D. La manguera de salida está torcida.	D. Confirme que la válvula de solenoide quede entre 7" (178 mm) y 8" (203 mm) de la línea central de la grifería.
	E. El LED en la manija no se ilumina.	E. Consulte la sección "Resolución de problemas del interruptor de la manija".
	F. El LED de encendido en el tablero de circuitos no está iluminado.	F. Consulte la sección "Resolución de problemas del sensor".
	G. Por lo menos una rejilla está tapada.	G. Consulte la sección "Limpieza de las rejillas".
2. Poco flujo de agua.	A. Las llaves de paso están parcialmente cerradas.	A. Confirme que las llaves de paso de suministro estén completamente abiertas.
	B. La manija está parcialmente cerrada.	B. Gire la manija a la posición completamente abierta.
	C. La manguera de suministro de agua caliente y/o fría está pellizcada o torcida.	C. Verifique que las mangueras de suministro no estén pellizcadas ni torcidas. Si las enrolla, mantenga un diámetro interior de 3" (76 mm).

Resolución de problemas (cont.)**Resolución de problemas de la grifería**

Síntomas	Causas probables	Acción recomendada
	D. La manguera de salida está torcida.	D. Confirme que la válvula de solenoide quede entre 7" (178 mm) y 8" (203 mm) de la línea central de la grifería.
	E. Por lo menos una rejilla está tapada.	E. Consulte la sección "Limpieza de las rejillas".
	F. Diafragma con fisuras.	F. Cambie el ensamblaje de la válvula de solenoide.
3. Mal patrón de rocío.	A. Las boquillas del rociador están tapadas.	A. Para eliminar las partículas residuales, frote el dedo sobre las boquillas con agua que esté fluyendo.
4. El diodo (LED) de encendido no se ilumina.	A. El tablero de circuitos no recibe suministro eléctrico.	A. Verifique las conexiones del suministro eléctrico al tablero de circuitos.
	B. El cable eléctrico está enchufado a un tomacorriente con interruptor.	B. Enchufe el cable eléctrico a un tomacorriente no conmutado de 120 VCA (pruebe el tomacorriente con un radio o con otro aparato). Confirme que se ilumine el diodo (LED) de encendido.
5. Cae un chorrito o gotas de agua cuando la grifería no está en uso.	A. La anulación manual está parcialmente activada.	A. Haga girar el dispositivo de anulación manual hacia la derecha hasta que se detenga; luego hágalo girar hacia la izquierda hasta que deje de gotear agua.

Resolución de problemas (cont.)

Resolución de problemas de la válvula de solenoide

Síntomas	Causas probables	Acción recomendada
1. Se fuga agua de la válvula de solenoide.	A. Las conexiones de la manguera no están fijas.	A. PRECAUCIÓN: Riesgo de lesiones personales o daños al producto. Desconecte la energía eléctrica principal y cierre el suministro de agua. Revise todas las conexiones. Haga los ajustes necesarios.
	B. Fuga interna.	B. Cambie el ensamblaje de la válvula de solenoide.
2. No se escucha un chasquido cuando se activa la válvula de solenoide.	A. Conexión suelta del cable de la válvula de solenoide.	A. Revise las conexiones del cable de la válvula de solenoide al tablero de circuitos.
	B. La válvula de solenoide no funciona.	B. Cambie el ensamblaje de la válvula de solenoide.

Resolución de problemas del interruptor de la manija

Síntomas	Causas probables	Acción recomendada
1. El LED en la manija se ilumina cuando la manija está cerrada.	A. Es necesario ajustar el tornillo de fijación de la válvula.	A. Consulte la sección "Ajuste del LED en la manija".
2. La manija no regresa a la posición vertical.	A. Es necesario ajustar el tornillo de fijación de la válvula.	A. Consulte la sección "Ajuste del LED en la manija".
3. El agua no cierra por completo.	A. Es necesario ajustar el tornillo de fijación de la válvula.	A. Consulte la sección "Ajuste del LED en la manija".

--	--	--

Resolución de problemas (cont.)

Resolución de problemas del interruptor de la manija

Síntomas	Causas probables	Acción recomendada
4. El LED en la manija no se ilumina cuando la manija se gira a la posición abierta.	A. La conexión del cable del interruptor de la manija está suelta.	A. Revise la conexión del cable del interruptor de la manija al tablero de circuitos.
	B. El tablero de circuitos no funciona correctamente.	B. Cambie el ensamblaje de la cubierta.

Resolución de problemas del sensor

Síntomas	Causas probables	Acción recomendada
1. Funcionamiento intermitente del sensor.	A. Suciedad en la lente del sensor.	A. Elimine con cuidado la suciedad de la lente del sensor con una solución ligera de agua y jabón.
	B. El sensor detecta vapor.	B. Gire el surtidor para alejarlo del vapor.
2. El diodo (LED) de la manija está iluminado, pero el de encendido no lo está.	A. Conexión suelta del cable del sensor.	A. Revise la conexión del cable del sensor a la placa de circuitos.
	B. Suciedad en el conector del cable del sensor.	B. En el tablero de circuitos con cuidado desconecte, limpie y vuelva a conectar el conector del cable del sensor.
	C. El tablero de circuitos no funciona.	C. Cambie el ensamblaje de la cubierta.

1384293-2-A

1384293-2-A

USA/Canada: 1-800-4KOHLER

México: 001-800-456-4537

kohler.com

THE BOLD LOOK
OF **KOHLER**®

©2019 Kohler Co.

1384293-2-A