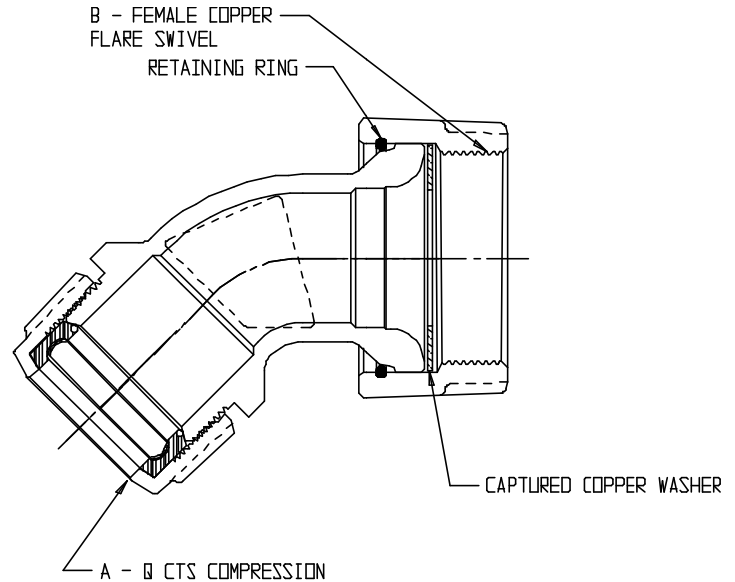
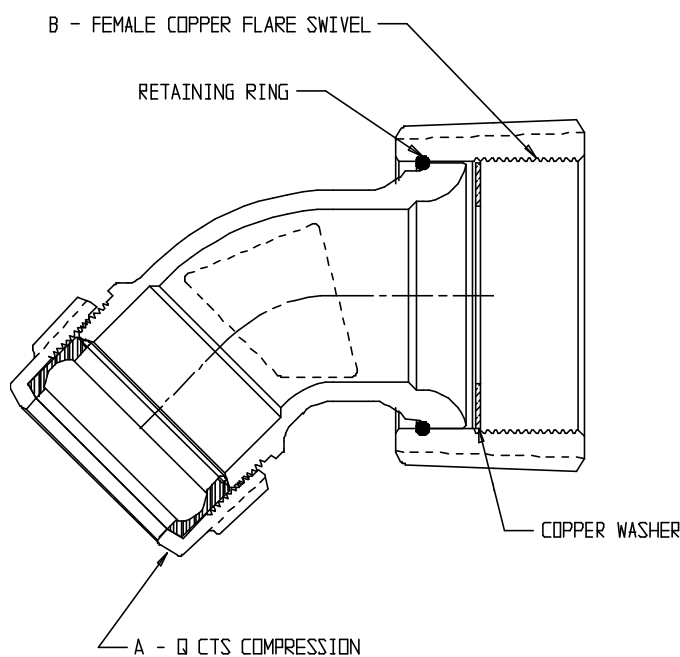
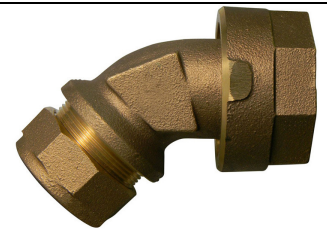


# SUBMITTAL DATA SHEET

NL Service Fitting – 74750SQ

Q CTS Compression x Female Copper Flare Swivel



NOTE: 2" SIZE DOES NOT CAPTURE COPPER WASHER

MODEL	SIZE	A	B
74750SQ	2	2	2

MODEL	SIZE	A	B
74750SQ	3/4	3/4	3/4
74750SQ	1	1	1
74750SQ	1 1/4x1	1 1/4	1
74750SQ	1 1/2	1 1/2	1 1/2

## SUBMITTAL INFORMATION

- Manufactured in compliance with ANSI/AWWA C800 (latest revision)
- Brass components in contact with potable water conform to ASTM B584, UNS C89833 (latest revision) and identified with "NL"
- Certified to NSF/ANSI 61 and NSF/ANSI 372
- Brass components not in contact with potable water conform to ASTM B62 and ASTM B584, UNS C83600 -85-5-5-5 (latest revision)
- Large wrench flats provided for proper installation
- Insert stiffeners required on all flexible plastic connections



**A.Y. McDonald Mfg. Co.**  
 P.O. Box 508  
 Dubuque, IA 52004-508

**Toll Free: 1-800-292-2737**  
**Fax: 1-800-832-9296**  
**Hours: 7:00 a.m. – 5:00 p.m., CST**

[sales@aymcdonald.com](mailto:sales@aymcdonald.com)  
[www.aymcdonald.com](http://www.aymcdonald.com)

A.Y. McDonald considers the information on this assembly drawing correct when published. Item and option availability, including specifications, are subject to change without notice.

**Submitted by:**