

80G1

PRODUCT SPECIFICATIONS

GAS FURNACE SINGLE STAGE

FORM NO. 80G1-100 (10/2013)



CONFIGURATIONS

- Upflow / Horizontal
- Downflow

HEAT EXCHANGER DESIGN

- Crimped no-weld aluminized clam shell heat exchanger construction

CABINET DESIGN

- Compact 33" height
- Standardized widths for easy coil fit

AIR DELIVERY SYSTEM

- Multi-speed PSC blower motor
- Easily removable slide out blower design

CONTROLS

- Single stage gas valve
- Self diagnostics saving last 5 fault codes regardless of power interruption

VENTING

- Rotatable draft inducer for venting flexibility

INSTALLATION FEATURES

- Left or right utility connections
- "L" designated models comply with California's
- South Coast Air Quality Management district Low NOx requirements
- Removable floor base for bottom return air
- Zero step horizontal conversion

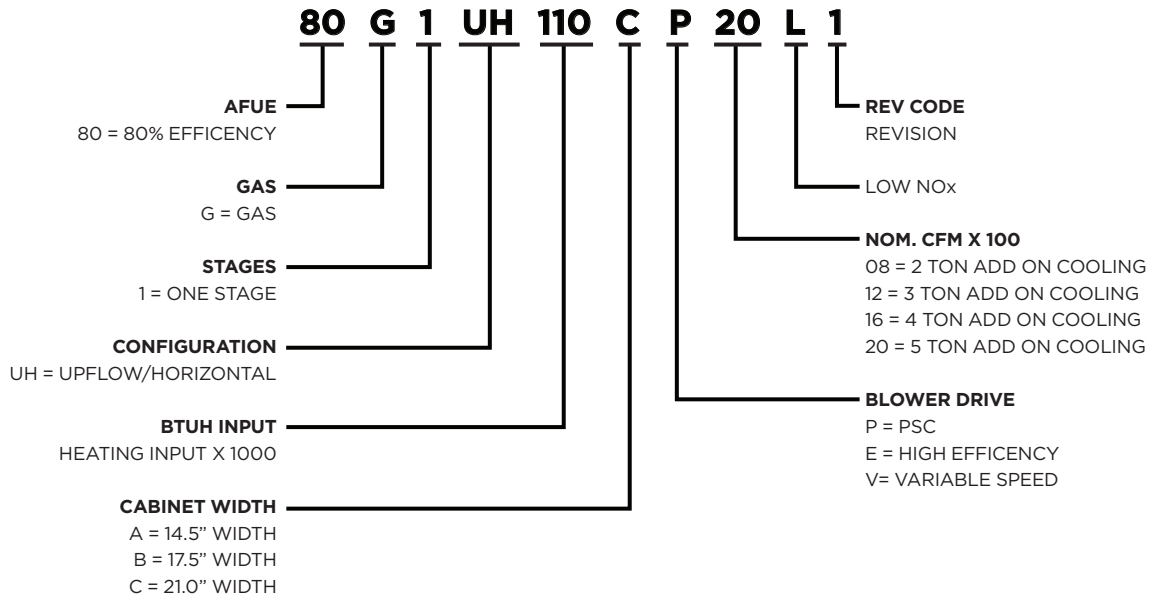
WARRANTY

10-Year limited parts warranty / lifetime heat exchanger warranty available. See limited warranty document for details.

Note: Not Sold In Canada



MODEL NUMBER GUIDE



PHYSICAL AND ELECTRICAL DATA

	Model	Input (Btuh)	Output (Btuh)	AFUE (ICS) %	Nom. Cooling Capacity	Gas Inlet (in.)	Volts/ Hz/ Phase	Max. Time Delay Breaker or Fuse	Nominal F.L.A.	Trans. (V.A.)	Approx. Shipping Weight (lbs.)
UPFLOW / HORIZONTAL	80G1UH045AP12	44,000	35,000	80.0%	2 - 3	1/2	120-60-1	15	6.1	40	110
	80G1UH070AP08	66,000	54,000	80.0%	1.5 - 2	1/2	120-60-1	15	3.1	40	114
	80G1UH070AP12	66,000	54,000	80.0%	2 - 3	1/2	120-60-1	15	6.1	40	119
	80G1UH090BP12	88,000	71,000	80.0%	2 - 3	1/2	120-60-1	15	6.1	40	131
	80G1UH090BP16	88,000	71,000	80.0%	3 - 4	1/2	120-60-1	15	8.2	40	183
	80G1UH110CP12	110,000	88,000	80.0%	2 - 3	1/2	120-60-1	15	6.1	40	144
	80G1UH110CP16	110,000	89,000	80.0%	3 - 4	1/2	120-60-1	15	8.2	40	151
	80G1UH110CP20	110,000	89,000	80.0%	4 - 5	1/2	120-60-1	15	10	40	161
	80G1UH135DP20	132,000	107,000	80.0%	4 - 5	1/2	120-60-1	15	10	40	174
	80G1UH045AP12L	44,000	35,000	80.0%	2 - 3	1/2	120-60-1	15	6.1	40	110
	80G1UH070AP12L	66,000	54,000	80.0%	2 - 3	1/2	120-60-1	15	6.1	40	119
	80G1UH090BP16L	88,000	71,000	80.0%	3 - 4	1/2	120-60-1	15	8.2	40	138
80G1UH110CP20L	110,000	89,000	80.0%	4 - 5	1/2	120-60-1	15	10	40	161	
DOWNFLOW	80G1DF 045 AP12	44,000	35,200	80.0%	2 - 3	1/2	120-60-1	15	6.1	40	112
	80G1DF 070 AP12	66,000	52,800	80.0%	2 - 3	1/2	120-60-1	15	6.1	40	121
	80G1DF 090 BP16	88,000	70,400	80.0%	3 - 4	1/2	120-60-1	15	8.2	40	140
	80G1DF 110 CP20	110,000	88,000	80.0%	4 - 5	1/2	120-60-1	15	10	40	163

Note: For vent length and clearances to combustibles, please reference installation instructions.

BLOWER PERFORMANCE DATA

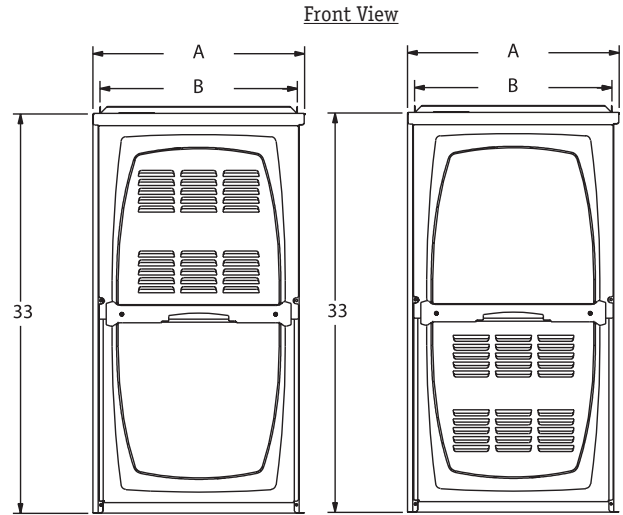
	Model	Motor Size (hp)	Blower Size	Temp Rise (°F)	Blower Speed	CFM @ External Static Pressure - " w.c.							
						0.20	0.30	0.40	0.50	0.60	0.70	0.80	0.90
UPFLOW / HORIZONTAL	80G1UH045A12(L)	1/3 (4 spd)	10 x 8	15 - 45	High	1571	1527	1472	1399	1329	1223	1137	1020
					Med/High	1332	1314	1277	1233	1186	1136	1008	929
					Med	1115	1139	1127	1086	1050	994	926	819
					Low	950	952	944	924	887	842	783	648
	80G1UH070A08	1/5 (3 spd)	10 x 7	30 - 60	High	1113	1086	1045	1014	964	891	811	713
					Med/High	974	953	927	886	834	781	702	563
					Low	822	791	775	733	702	637	562	422
	80G1UH070A12(L)	1/3 (4 spd)	10 x 8	30 - 60	High	1579	1522	1479	1402	1338	1247	1158	1047
					Med/High	1357	1333	1300	1268	1205	1125	1045	942
					Med	1137	1131	1102	1080	1037	977	913	828
					Low	958	956	943	925	879	837	777	725
	80G1UH090B12	1/3 (4 spd)	10 x 9	25 - 55	High	1724	1683	1631	1535	1469	1363	1257	1158
					Med/High	1420	1410	1368	1314	1273	1183	1103	1002
					Med	1171	1168	1150	1126	1084	1022	935	817
					Low	973	978	957	927	908	840	784	680
	80G1UH090B16(L)	1/2 (4 spd)	10 x 10	25 - 55	High	1911	1840	1770	1663	1584	1469	1357	1198
Med/High					1738	1707	1634	1560	1468	1364	1232	1121	
Med					1533	1502	1462	1408	1329	1262	1157	1019	
Low					1303	1304	1281	1225	1192	1116	1018	918	
80G1UH110C12	1/3 (4 spd)	10 x 10	45 - 75	High	1625	1605	1595	1550	1485	1385	1275	1040	
				Med/High	1300	1290	1305	1260	1225	1145	1010	875	
				Med	1045	1050	1045	1010	970	910	815	660	
				Low	880	880	830	835	800	730	635	535	
80G1UH110C16	1/2 (4 spd)	10 x 10	25 - 55	High	2078	2017	1939	1848	1775	1679	1559	1425	
				Med/High	1791	1746	1693	1635	1573	1469	1349	1192	
				Med	1542	1547	1507	1472	1395	1322	1203	1060	
				Low	1334	1333	1321	1293	1237	1172	1050	909	
80G1UH110C20(L)	3/4 (4 spd)	11 x 10	25 - 55	High	2420	2304	2247	2156	2067	1988	1890	1742	
				Med/High	2230	2173	2113	2056	1985	1891	1764	1653	
				Med	1987	1954	1901	1841	1800	1703	1618	1491	
				Low	1796	1759	1715	1674	1616	1552	1465	1359	
80G1UH135D20	3/4 (4 spd)	11 x 11	30 - 60	High	2120	2042	1972	1863	1747	1618	1488	1336	
				Med/High	2044	1948	1864	1790	1654	1563	1413	1312	
				Med	1886	1817	1762	1672	1603	1461	1357	1228	
				Low	1728	1664	1616	1526	1441	1366	1260	1136	

BLOWER PERFORMANCE DATA (CONTINUED FROM PREVIOUS PAGE)

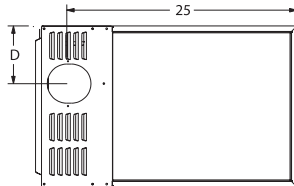
	Model	Motor Size (hp)	Blower Size	Temp Rise (F°)	Blower Speed	CFM @ External Static Pressure - " w.c.							
						0.20	0.30	0.40	0.50	0.60	0.70	0.80	0.90
DOWNFLOW	80G1DF045BP12	1/3 (4 spd)	10 x 8	15 - 45	High	1465	1414	1343	1255	1205	1140	1031	926
					Med/High	1351	1293	1236	1190	1106	1059	962	850
					Med	1129	1111	1083	1038	999	943	870	764
					Low	943	950	945	897	870	816	739	653
	80G1DF070BP12	1/3 (4 spd)	11 x 8	25 - 55	High	1506	1459	1390	1306	1213	1140	1038	927
					Med/High	1355	1314	1264	1200	1129	1066	975	865
					Med	1149	1119	1082	1048	987	901	836	727
					Low	953	941	915	904	849	798	717	628
	80G1DF090CP16	1/2 (4 spd)	10 x 10	25 - 55	High	1864	1779	1694	1596	1483	1340	1221	1065
					Med/High	1745	1676	1600	1502	1413	1273	1138	1007
					Med	1544	1496	1443	1363	1258	1148	1018	904
					Low	1321	1296	1265	1212	1148	1042	917	812
	80G1DF110CP20	3/4 (4 spd)	11 x 10	30 - 60	High	2416	2328	2232	2149	2017	1920	1789	1657
					Med/High	2248	2193	2122	2048	1923	1825	1728	1594
					Med	2087	2021	1975	1905	1806	1727	1625	1487
					Low	1861	1812	1771	1728	1648	1560	1471	1351

DIMENSIONS (IN.)

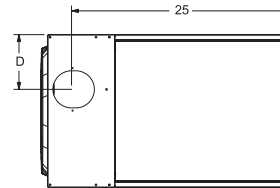
	Model	A	B	C	D
UPFLOW / HORIZONTAL	80G1UH045AP12	14-1/2	13-3/8	13	4-3/4
	80G1UH070AP08	14-1/2	13-3/8	13	4-3/4
	80G1UH070AP12	14-1/2	13-3/8	13	4-3/4
	80G1UH090BP12	17-1/2	16-3/8	16	6-1/4
	80G1UH090BP16	17-1/2	16-3/8	16	6-1/4
	80G1UH110CP12	21	19-3/8	19-1/2	8
	80G1UH110CP16	21	19-3/8	19-1/2	8
	80G1UH110CP20	21	19-3/8	19-1/2	8
	80G1UH135DP20	24-1/2	23-3/8	23	9-3/4
	80G1UH045AP12L	14-1/2	13-3/8	13	4-3/4
	80G1UH070AP12L	14-1/2	13-3/8	13	4-3/4
	80G1UH090BP16L	17-1/2	16-3/8	16	6-1/4
	80G1UH110CP20L	21	19-3/8	19-1/2	8
DOWNFLOW	80G1DF 045 AP12	14-1/2	13-3/8	13	4-3/4
	80G1DF 070 AP12	14-1/2	13-3/8	13	4-3/4
	80G1DF 090 BP16	17-1/2	16-3/8	16	6-1/4
	80G1DF 110 CP20	21	19-7/8	19-1/2	8



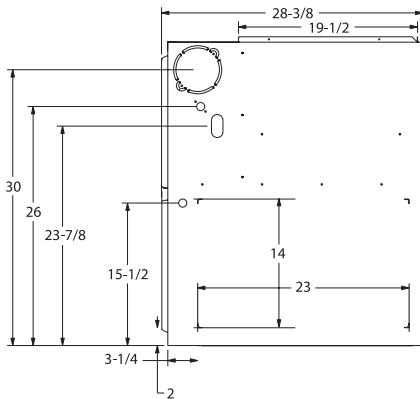
Upflow / Horizontal



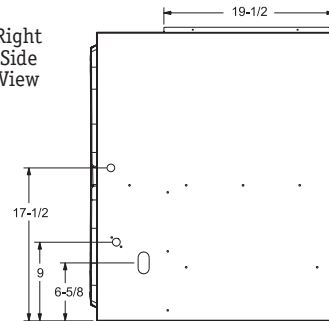
Downflow



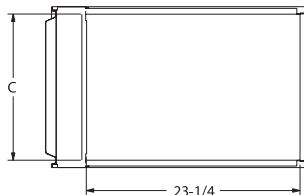
Right Side View



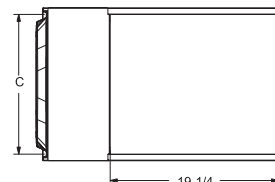
Right Side View



Bottom View



Bottom View



ACCESSORY LIST

CATALOG NUMBER	DESCRIPTION
External Filter Rack kits	
1.841018	1 Pack (16x25)
1.841039	10 Pack (16x25)
Natural to LP Kits	
72W47	1-Stage - 80
Return Air Base	
68W61	14.5", A Width
68W62	17.5", B Width
68W63	21.0", C Width
68W64	24.5", D Width
Downflow Combustible Flooring Base	
11M59	14.5", A Width
11M60	17.5", B Width
11M61	21.0", C Width
Night Service Kits	
68W80	Single Stage
Horizontal Suspension Kit	
51W10	80% & 90% Kit

Note: For vent length and clearances to combustibles, please reference installation instructions.



1-800-448-5872

All specifications and illustrations subject to change without notice and without incurring obligations.