

SPECIFICATION SUBMITTAL

Project: _____
 Architect/Engineer: _____
 Builder/Developer: _____
 Plumbing Contractor: _____

4ALL[®] BOX

WASHING MACHINE



For PEX, Copper and CPVC Pipe

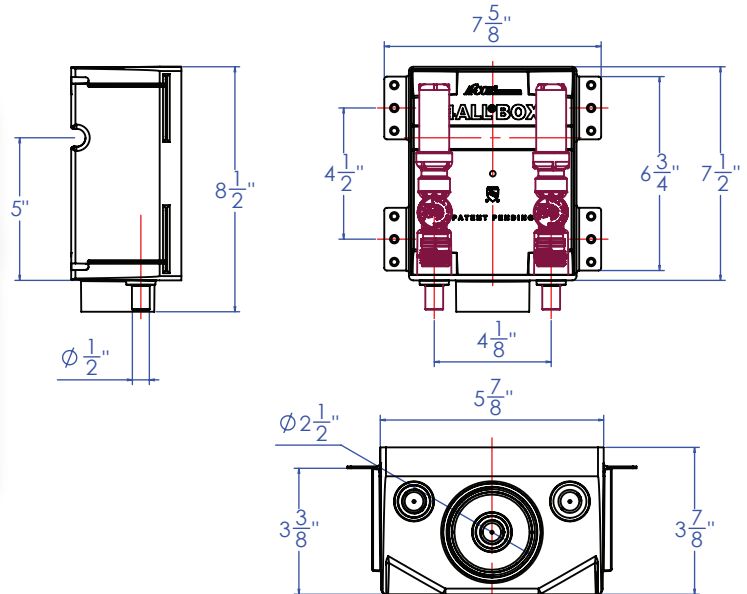
4ALL[®] Washing Machine Outlet Box with FlowTite[®] 4ALL[®] Valves and Polymer Arresters



Specification:

The ONLY box preventing hidden in-wall leaks with valve-to-pipe connections fully sealed within the box and secondary O-rings to seal box to pipe.

All models include two (2) USA made FlowTite 4ALL 3/4" outlet stop valves that carry a 10-year warranty, two (2) polymer arresters, front & back support tabs for sturdy stud mount, a unique pipe supported design for center mount between studs and a versatile design for dual stud bay mount with separate drainage. All models also include a sturdy protective cover.



Listings:

NSF/ANSI 61
 IAPMO File 2657 (cUPC/IPC, NPC)
 IAPMO File 6518 (Lead Free)
 IAPMO File 3893 (UPC/IPC)
 IAPMO File 7970 (cUPC/IPC, NPC)
 IAPMO File 8158

Manufactured in accordance with:

NSF/ANSI 61 Section 9
 ASME A112.18.1/CSA B125.1
 Section 1417(d) SDWA – NSF/ANSI 372 Low Lead
 IAPMO PS 54-2015
 ASSE 1010
 Section 1417(d) SDWA – NSF/ANSI 372 Low Lead

Dimensions:

Box rough-in width – 5" 7/8 (5.876)
 Box rough-in height – 7" 1/2 (7.49)
 Box depth – 3" 7/8 (3.863)
 Drain connection – 2"
 Pilot Holes – on center
 Bullseye condensation tear-out – 3/8"-1"
 Sheet rock – up to 1"
 Faceplate width – 7" 3/4 (7.704)
 Faceplate height – 9" 1/4 (9.183)

Model Number:

- OWBP05-75-1APB (T)
- VWBP05-75-1APB (T)
- PWBP05-75-1APB (TW)
- OWBP05-75-1APT (T)
- VWBP05-75-1APT (T)
- PWBP05-75-1APT (TW)
- 4ALL Box Only (1)

Description:

- Single Drain Outlet Box w/Polymer Arrester, Copper, Bottom
- Single Drain Outlet Box w/Polymer Arrester, CPVC, Bottom
- Single Drain Outlet Box w/Polymer Arrester, Uponor PEX, Bottom
- Single Drain Outlet Box w/Polymer Arrester, Copper, Top
- Single Drain Outlet Box w/Polymer Arrester, CPVC, Top
- Single Drain Outlet Box w/Polymer Arrester, Uponor PEX, Top
- Box Only with Faceplate