

Cast Deckmount Sink Faucets 4" Centers

TECK[®]
COMMERCIAL

DELTA[®]

SPECIFICATION: (EXAMPLE)

- **HEAVY DUTY CAST BRASS** sink faucet
- 102mm (4") centers, two handle
- Polished chrome-plated finish
- **BRASS** swing spout or 3/8" IPS **BRASS PIPE** Rigid/Swivel Gooseneck Spout
- Metal hold-down package
- Color indexed metal handles with vandal resistant screws
- **CER-TECK**® 1/4 turn ceramic structures
- and... with... (add spout required)
- with... (add outlet required)
- with... (add handle required)
- with... (add suffix **-LS** if required – see back page)
- with... (add suffix **-TI** if required – see back page)

27C4834



27C4233



Engineer/Architect Approval

Model Specified:

Approval:

Date:

MODEL NUMBER EXAMPLE:

Configurations vary, see below for availability.

27C4944 - TI

Variation

- 2 = 8" (203 mm) Tubular spout
- 3 = 6" (152 mm) Tubular spout
- 8 = 4.5" (114 mm) Gooseneck spout
- 9 = 6" (152 mm) Gooseneck spout

Outlet

- 2 = Vandal resistant laminar outlet
 - 3 = Vandal resistant aerator
 - 4 = Standard aerator outlet
 - 5 = Vandal resistant spray outlet
 - 7 = Smooth end, laminar outlet
- ⊕ 1.5 gpm (5.7 L/min)
 - ⊕ 1.5 gpm (5.7 L/min)
 - ⊕ 1.5 gpm (5.7 L/min)
 - ⊕ 0.5 gpm (1.9 L/min)
 - ⊕ 1.0 gpm (3.8 L/min)

Handle

- 2 = Hooded blade
- 3 = Hooded lever
- 4 = Blade w/sanitary hood
- 5 = Wrist w/sanitary hood

LS = 120° Limited swing gooseneck
TI = Handle temperature indicators
"H" (red), "C" (blue)

R* = Optional gooseneck spout dimensions:
R5 = 6" long, 13.25" high
R6 = 6" long, 14.9" high
R7 = 9" long, 14" high
R35 = 6" long, 9.55" high

S* = Optional swing spout dimensions:
S7 = 11" Tubular
S8 = 14" Tubular

AVAILABLE MODELS		VARIATIONS									
		2	3	8			9				
		Tubular S5 Spout 8" (203 mm)	Tubular S3 Spout 6" (152 mm)	Gooseneck R2 Spout 4.5" (114 mm) long, 11.75" (298 mm) high	Gooseneck R4 Spout 6" (152 mm) long, 11.8" (300 mm) high						
HANDLES	2 Hooded Blade 4" (102 mm)	27C4222 27C4232 27C4242 27C4242-S7	27C4332 27C4342 27C4352	27C4822 27C4832 27C4832-LS 27C4842	27C4842-LS 27C4842-TI 27C4852 27C4872	27C4922 27C4922-LS-TI 27C4922-R7 27C4932 27C4932-R7 27C4942	27C4942-LS 27C4942-R6 27C4952 27C4952-LS 27C4972				
	3 Hooded Lever 3" (76 mm)	27C4223 27C4233 27C4233-TI 27C4243 27C4243-S8 27C4253	27C4323 27C4333 27C4343 27C4353	27C4823 27C4823-LS-TI 27C4833 27C4833-TI	27C4843 27C4843-TI 27C4853 27C4873	27C4923 27C4923-LS-R35TI 27C4923-R7 27C4933 27C4933-LS 27C4933-R7	27C4943 27C4943-R7 27C4953 27C4953-R5 27C4973-TI				
	4 Blade with Sanitary Hood 4" (102 mm)	27C4224 27C4234 27C4244 27C4244-S7 27C4254	27C4324 27C4344	27C4824 27C4824-LS 27C4834 27C4834-TI 27C4844	27C4844-TI 27C4854 27C4874 27C4874-TI	27C4924 27C4924-LS 27C4924-LS-R35TI 27C4924-R5 27C4924-R7 27C4924-TI 27C4934 27C4934-LS	27C4934-R6 27C4934-R7 27C4944 27C4944-LS 27C4944-LS-TI 27C4944-R5 27C4944-R7	27C4944-TI 27C4954 27C4954-LS-TI 27C4974 27C4974-R7 27C4974-TI			
	5 Wrist with Sanitary Hood 6" (152 mm)	27C4235		27C4835 27C4845		27C4925 27C4925-R7 27C4955					

Refer to www.specselect.com for individual models.

Flow Rates are at 60 PSI.
Note: Use this page front and back as a product submittal sheet.

Delta reserves the right (1) to make changes in specifications and materials, and (2) to change or discontinue models, both without notice or obligation. Dimensions are for reference only. See current full-line price book or www.specselect.com for finish options and product availability.

DSP-27C45 Rev. D

Cast Deckmount Sink Faucets 4" Centers

TECK
COMMERCIAL

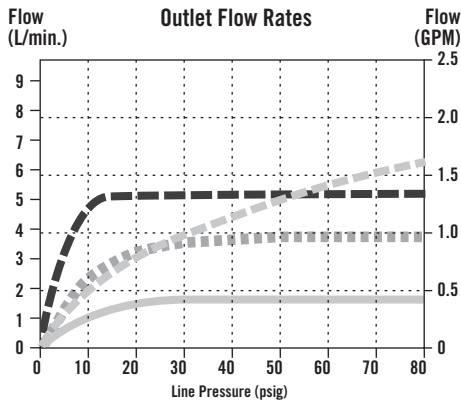
DELTA

APPROVALS:

- CSA certified
- Complies to ASME A112.18.1/CSA B125.1
- Indicates compliance to ICC/ANSI A117.1
- Outlet options 2, 3, 4 and 7 are EPA WaterSense listed
- Verified compliant with 0.25% weighted average Pb content regulations

(Contact Delta Representative for State and/or Local Approvals.)

FLOW RATE vs PRESSURE



Spout Outlets

- No. 2 Laminar Flow Outlet
- No. 3 & 4 Aerator
- No. 5 Low Flow Outlet
- No. 7 Flow Control

HANDLE TEMPERATURE INDICATORS

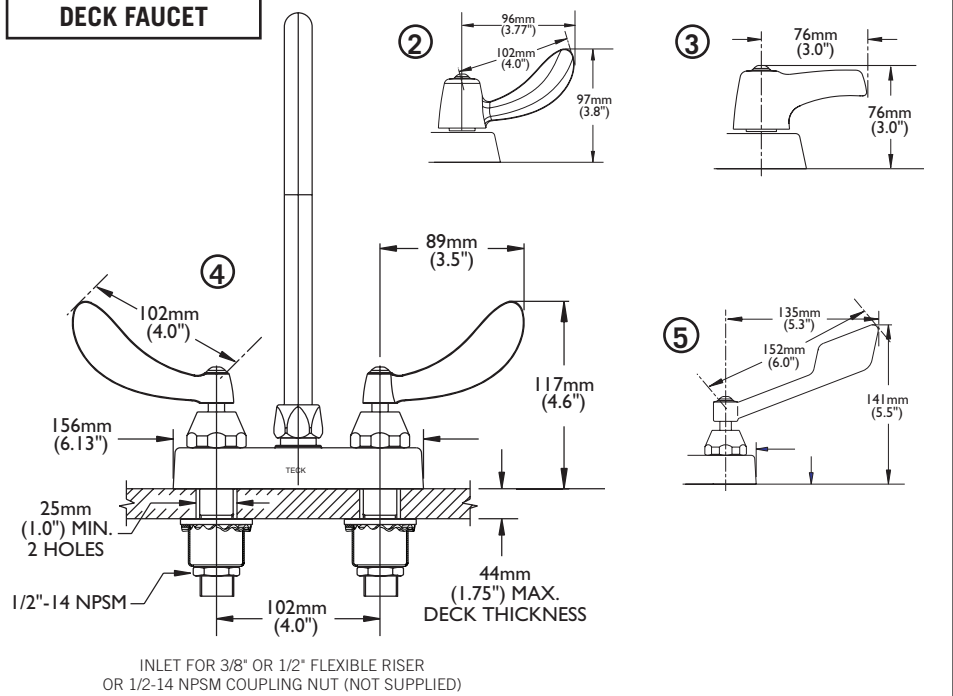
- ☐ Suffix “-TI” signifies handle temperature indicators “H” (red), “C” (blue). Available on selected models.



LIMITED SWING GOOSENECK

- ☐ Suffix “-LS” signifies 120° Limited Swing. Available on selected models.

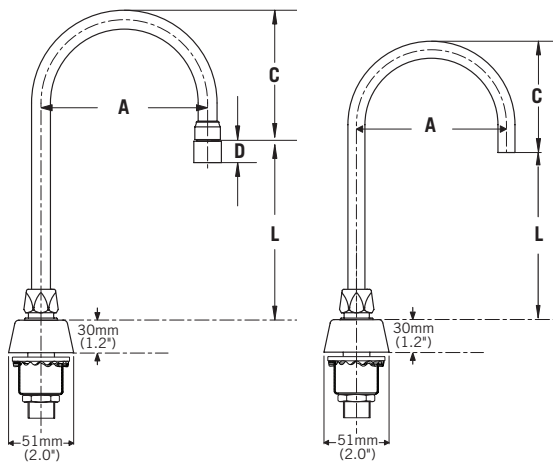
DECK FAUCET



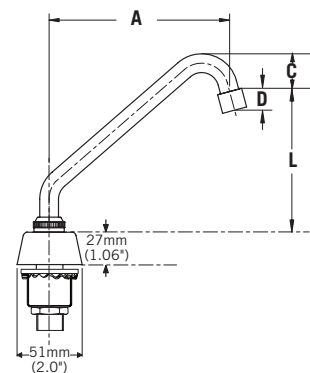
GOOSENECK SPOUTS

Outlets #2, 3, 4, 5

Outlet #7



SWING SPOUTS



GOOSENECK SPOUT ASSEMBLY #8

SPOUT/OUTLET	"A"		"C"		"L"	
	mm	in.	mm	in.	mm	in.
Gooseneck-Standard (R2) for outlets #2, 3, 4 & 5	114	4.5	104	4.1	170	6.7
Gooseneck-Standard (R2) for outlet #7	114	4.5	97	3.8	178	7.0

GOOSENECK SPOUT ASSEMBLY #9

SPOUT/OUTLET	"A"		"C"		"L"	
	mm	in.	mm	in.	mm	in.
Gooseneck-Standard (R4) for outlets #2, 3, 4 & 5	152	6	124	4.9	146	5.8
Gooseneck-Standard (R4) for outlet #7	152	6	117	4.6	152	6.0

SWING SPOUT ASSEMBLIES

SPOUT NO.	SPOUT/OUTLET	"A"		"C"		"L"	
		mm	in.	mm	in.	mm	in.
2	8" Tubular Spout (S5)	185	7.3	41	1.6	147	5.8
3	6" Tubular Spout (S3)	140	5.5	38	1.5	107	4.2

FOR OPTIONAL RIGID/SWIVEL & LIMITED SWING SPOUTS

See DSP-R/S for detailed specification.

FOR OPTIONAL SWING SPOUTS

See DSP-S/S for detailed specification.

OUTLET NO.	"D"	
	mm	in.
2	18	0.69
3	18	0.69
4	17	0.67
5	18	0.69

Note: Measurements may vary ± 6mm (0.25")

Refer to www.specselect.com for individual models.

Note: Use this page front and back as a product submittal sheet.