



# Submittal Data Information

101-191

## 006e3 ECM Circulator

Effective: February 27, 2018

Supersedes: NEW

Job: \_\_\_\_\_ Engineer: \_\_\_\_\_ Contractor: \_\_\_\_\_ Rep: \_\_\_\_\_

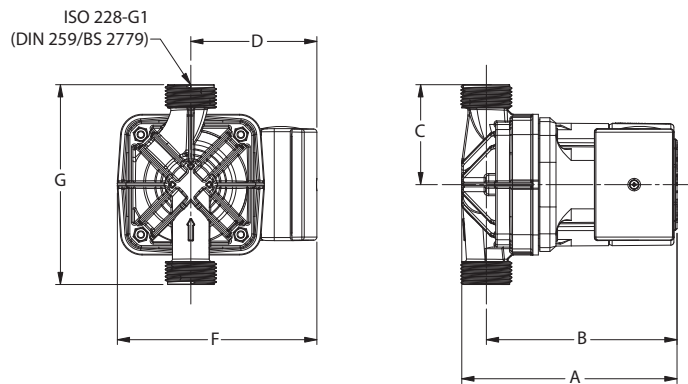
ITEM NO.	MODEL NO.	

### Specifications

- Maximum Shut-off Head: 13 feet
- Maximum Flow: 11 gpm
- Maximum Operating Pressure: 150 psi (10 bar)
- Maximum Water Temp: 203°F (95°C)
- Minimum Water Temp: 36°F (2°C)
- Electrical Specifications:
  - Voltage: 120V, 60 Hz
  - Single phase
  - Max. Operating Power: 44W
  - Max. AMP Rating: 0.54
- Equipped with a composite casing designed for open loop potable water systems and closed hydronic systems
- Not suitable for chilled water
- Taco circulator pumps are for indoor use only
- Acceptable for use with water or maximum of 50% water/glycol solution in closed hydronic systems

### Applications

The 006e3 is a high-efficiency wet rotor circulator with an ECM permanent magnet motor. It is designed for use in open loop domestic hot water recirculation or closed hydronic systems. A simple 3-setting speed dial allows you to match circulator performance to system requirements. The 006e3LC model includes a 6' power cord.



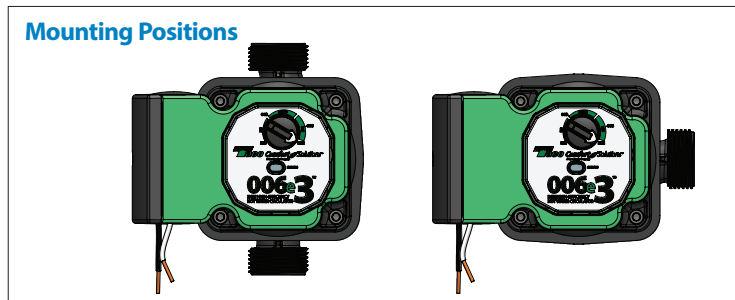
### Pump Dimensions & Weights

Model Number (Part Number)	A		B		C		D		F		G		Ship Wt.	
	in.	mm	in.	mm	in.	mm	in.	mm	in.	mm	in.	mm	lbs.	Kg
<b>006e3</b> (VM1212-DY1-UP2A00)	5-1/2	140	4-7/8	124	2-5/8	67	3-1/4	82	5-1/8	130	5-1/8	130	3.5	1.6
<b>006e3LC</b> (VM1212-DY1-UP2A01)	5-1/2	140	4-7/8	124	2-5/8	67	3-1/4	82	5-1/8	130	5-1/8	130	3.5	1.6

### Materials of Construction

Casing: .....Composite  
 Stator Housing: .....Composite  
 Cartridge: .....Composite  
 Impeller: .....Composite  
 Shaft: .....Ceramic  
 Bearings: .....Carbon  
 Thrust Bearing: .....Ceramic  
 O-Ring & Gaskets: .....EPDM

### Mounting Positions



### Electrical Data

Model	Volts	Hz	Ph	Max.Amps	Watts	RPM
All Models	120	60	1	.54	44	1440 - 3720
Motor Type	ECM, Permanent Magnet, Thermally Protected					



Taco, Inc., 1160 Cranston Street, Cranston, RI 02920 | Tel: (401) 942-8000 | FAX: (401) 942-2360

Taco (Canada), Ltd., 8450 Lawson Road, Suite #3, Milton, Ontario L9T 0J8 | Tel: (905) 564-9422 | FAX: (905) 564-9436

Visit our web site: www.TacoComfort.com | Printed in USA | ©2018 Taco, Inc.

