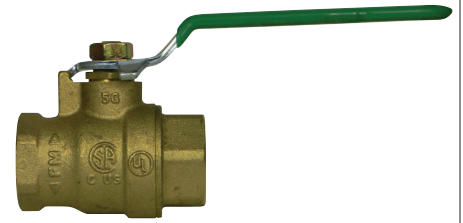


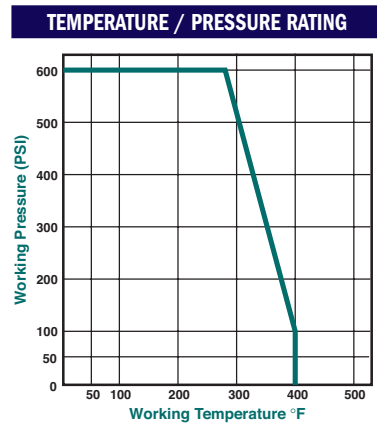
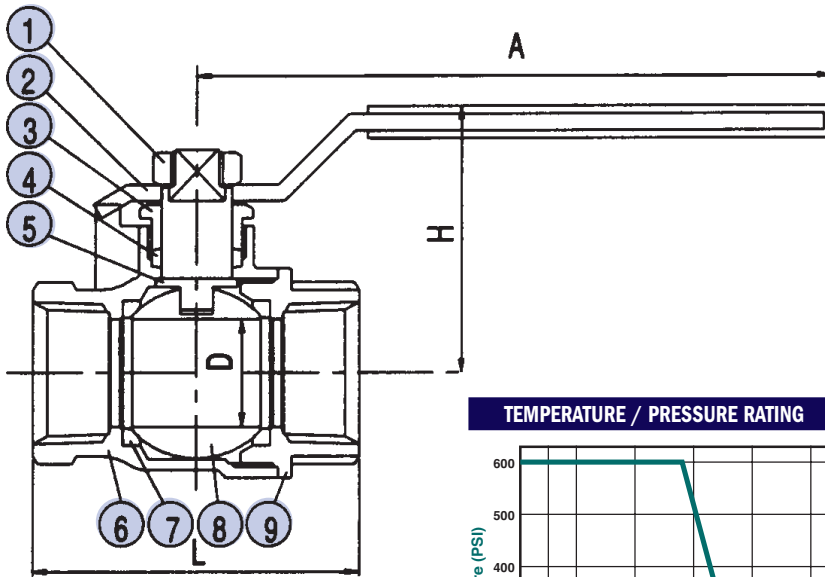
# SUBMITTAL DATA SHEET

Ball Valves - Full Port  
Ball Valve - 2032T

FNPT X FNPT



A.Y. McDonald Mfg. Co. Full Port Ball Valves are constructed of heavy duty brass and can be used with a full range of liquids and gases in commercial, industrial and residential applications. Full Port valves allow for maximum flow with minimum pressure drop.



## Dimensions

Size	L	H	D	A
1/4"	1.81	1.44	.39	3.28
3/8"	1.81	1.44	.39	3.28
1/2"	1.99	1.52	.50	3.28
3/4"	2.34	1.95	.78	4.60
1"	2.85	2.11	.98	4.60
1 1/4"	3.28	2.57	1.25	5.23
1 1/2"	3.59	2.73	1.48	5.23
2"	4.17	3.43	1.95	7.80
2 1/2"	5.50	4.25	2.38	10.14
3"	6.20	4.60	2.89	10.14
4"	6.45	4.60	3.79	10.14

## Materials

No.	Part	Material
1	Nut	Steel
2	Handle	Steel
3	Stem Gland Screw	Brass
4	Stem Packing	Teflon
5	Stem	Brass
6	Body 1/2" - 1 1/2" 2" - 4"	Forged Brass Cast Brass
7	Ball Disc Packing	Teflon
8	Ball	Chrome Plated Brass
9	End Plug	Forged Brass

## SUBMITTAL INFORMATION

- 600 WOG, 150 WSP
- Sizes: 1/4", 3/8", 1/2", 3/4", 1", 1 1/4", 1 1/2", 2", 2 1/2", 3", 4"

- Threads conform to ANSI B1.20.1
- Blow out proof stem
- 2032T 1/2" - 2" certified to:



Non-Potable  
Use Only



A.Y. McDonald Mfg. Co.  
P.O. Box 508  
Dubuque, IA 52004-0508

Toll Free: 1-800-292-2737  
Fax: 1-800-832-9296  
Hours: 7:00 a.m. - 5:00 p.m., CST

sales@aymcdonald.com  
www.aymcdonald.com

A.Y. McDonald considers the information on this assembly drawing correct when published. Item and option availability, including specifications, are subject to change without notice.

Submitted by: