



## Submittal Data Sheet

3.0-Ton Ceiling Suspended Cooling Only

FHQ36MVJURZR36PVJU

### FEATURES

- Auto-swing capability with 100° airflow pattern
- Innovative stream fan technology
- 10 year limited parts and compressor warranty

### BENEFITS

- Lateral servicing space allows installation in corners, narrow space, walls, and ceilings

### INDOOR UNIT



### OUTDOOR UNIT





## Submittal Data Sheet

3.0-Ton Ceiling Suspended Cooling Only

FHQ36MVJURZR36PVJU

### SYSTEM PERFORMANCE

Indoor Unit Model No.	FHQ36MVJU	Indoor Unit Name:	FHQ36MVJU
Outdoor Unit Model No.	RZR36PVJU	Outdoor Unit Name:	3.0-Ton SkyAir Cool Only
Rated Cooling Capacity (Btu/hr):	36,000	Rated Cooling Conditions:	Indoor (°F DB/WB): 80 / 67 Ambient (°F DB/WB): 95 / 75
Sensible Capacity (Btu/hr):	25,100	Rated Piping Length(ft):	
Max/Min Cooling Capacity (Btu/hr):	/	Rated Height Difference (ft):	164.00
Cooling Input Power (kW):	3.760	Rated Heating Conditions:	Indoor (°F DB/WB): 70 / 70 Ambient (°F DB/WB): 47 / 43
SEER (Non-Ducted/Ducted):	14.00 /		
EER (Non-Ducted/Ducted):	10.20 /		
Rated Heating Capacity (Btu/hr):	37,500		
Heating Input Power (kW):	4.26		

### SYSTEM DETAILS

Refrigerant Type:	R-410A	Cooling Operation Range (°F DB):	23 - 115
Holding Refrigerant Charge (lbs):	8.8	Heating Operation Range (°F WB):	0 - 77
Additional Charge (lb/ft):	0.04	Max. Pipe Length (Vertical) (ft):	
Pre-charge Piping (Length) (ft):		Cooling Range w/Baffle (°F DB):	0 - 115
Max. Pipe Length (Total) (ft):	230	Heating Range w/Baffle (°F WB):	-
Max Height Separation (Ind to Ind ft):	164		



## Submittal Data Sheet

3.0-Ton Ceiling Suspended Cooling Only

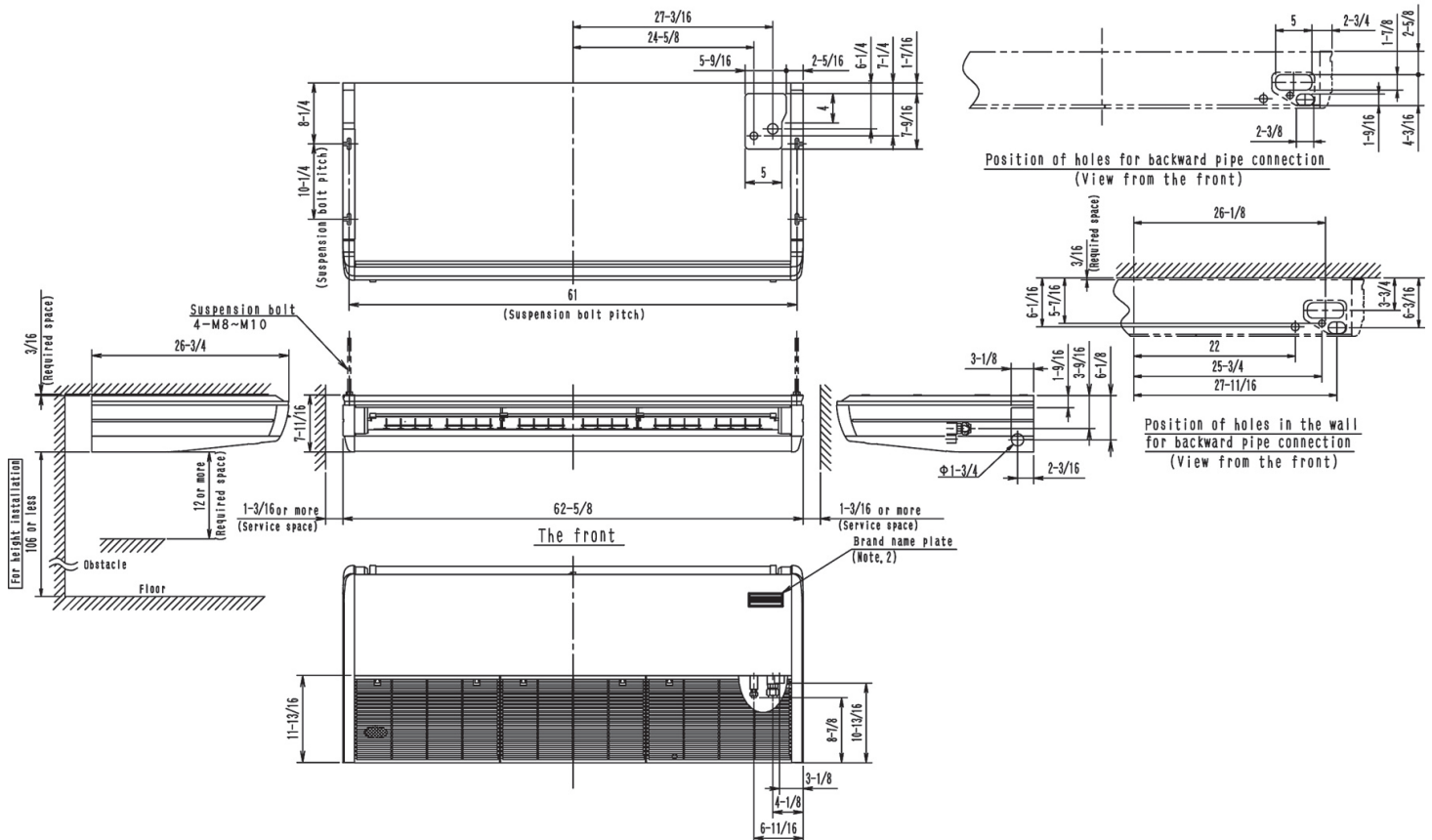
FHQ36MVJURZR36PVJU

### INDOOR UNIT DETAILS

Power Supply (V/Hz/Ph):	208-230 / 60 / 1	Airflow Rate (H/L) (CFM):	830/670
Power Supply Connections:	L1, L2, Ground	Moisture Removal (Gal/hr):	
Min. Circuit Amps MCA (A):	1.40	Gas Pipe Connection (inch):	5/8
Max Overcurrent Protection (MOP) (A):		Liquid Pipe Connection (inch):	3/8
Dimensions (HxWxD) (in):	7-11/16 x 62-5/8 x 26-3/4	Condensate Connection (inch):	1
Panel (HxWxD) (in):		Sound Pressure (H) (dBA):	46
Net Weight (lb):	90	Sound Power Level (dBA):	
Panel Weight (lb):		Ext. Static Pressure (Rated/Max) (inWg):	0.00 / 0.00

## DIMENSIONAL DRAWING - INDOOR UNIT

FHQ18/24/30/36/42MVJU  
Unit (in.)



Daikin North America LLC, 5151 San Felipe, Suite 500, Houston, TX, 77056

Daikin City Generated Submittal Data

[www.daikinac.com](http://www.daikinac.com) [www.daikincomfort.com](http://www.daikincomfort.com)

(Daikin's products are subject to continuous improvements. Daikin reserves the right to modify product design, specifications and information in this data sheet without notice and without incurring any obligations)



## Submittal Data Sheet

3.0-Ton Ceiling Suspended Cooling Only

FHQ36MVJURZR36PVJU

### OUTDOOR UNIT DETAILS

Power Supply (V/Hz/Ph):	208-230 / 60 / 1	Compressor Type:	Inverter
Power Supply Connections:	L1, L2, Ground	Capacity Control Range (%):	25 - 100
Min. Circuit Amps MCA (A):	27.00	Airflow Rate (H) (CFM):	3,740
Max Overcurrent Protection (MOP) (A):	30.00	Gas Pipe Connection (inch):	5/8
Max Starting Current MSC(A):		Liquid Pipe Connection (inch):	3/8
Rated Load Amps RLA(A):	18.6	Sound Pressure (H) (dBA):	58
Dimensions (HxWxD) (in):	52-15/16 x 35-7/16 x 12-5/8	Sound Power Level (dBA):	
Net Weight (lb):	283		

### DIMENSIONAL DRAWING - OUTDOOR UNIT

