



Gas Distribution Products

Meter Valves | Meter Bars | Accessories



Table of Contents & Freight Program

	Page		Page
General Information		Meter Bars	
Freight Program	2	Pressure Tap Locations	16
Customer Service	3	Ordering Meter Bars Options	17
Traceability	4	Outlets Options.....	18
Trade Customs.....	35		
High Pressure Valves - Ball Style		Cast Iron Meter Bars	
Features	6	6600, 6610, 6640, 6604, 6614, & 6644	19
860 Series.....	7	6560, 6570, & Installation	20
8276 Series	7	6569 & Installation	21
		6660 & 6670.....	22
		6620, 6613, & 6643.....	23
		6624.....	24
		6758.....	25
		6814 & 6918.....	26
		6722 & 6722L.....	27
		6762 & Installation.....	28
		6712L & 6712.....	29
High Pressure Valves - Plug Style		By-Pass Meter Bars	
Features	8	6312, 6410, & 6480	30-31
559, 560 Series	10		
6366, 6276 Series	11	Accessories	
6517, 6316 Series	12	Meter Nuts & Plugs, Gaskets, & Unions	32
6316BDFGB & 6316GDFG.....	13		
Re-Lubrication Tool		Insulated & Non-Insulated Swivels	
“558” Re-Lubrication Tool	9	Non-Insulated Swivels	33
		Insulated Swivels & Meter Adapters	34
Curb Valves			
569BR & 555	13		
Angle Valves - Bypass Style			
835, 837 Series	14		
857, 855 Series	15		

Freight Program

I. PRODUCT GROUP QUALIFICATION LEVELS

Freight will be prepaid and allowed by Seller on orders that meet or exceed the following net prices or unit qualifiers (net prices reflect list prices less applicable discounts):

1. High Pressure Gas (may be combined with plumbing Valves) \$2,500 Net
2. Water Service Products (may be combined with Curb Boxes, Pumps, Pump Accessories, Plumbing Valves, Frames & Covers, HPG, and Yoke Boxes) \$6,000 Net
3. Pumps..... 12+ units
4. Plumbing Products (may be combined with Pump Accessories)..... \$1,300 Net
5. Tanks.....24+ units (may be 24 units in combination with Jets and Submersibles)
6. Pit Setters . . . 15” diameter – 144 units
 18” diameter – 96 units
 21” diameter – 72 units
 24” diameter – 48 units
 30” and 36” diameter – 24 units

II. ADDITIONS

Once an order qualifies for freight in **any** product group, other products on your order ride free (excluding Tanks and Pit Setters). However, additions to freight allowed orders will **NOT** be allowed once the original order is on board or a partial shipment has been made against the original order.

Freight qualifiers are subject to change without notice.

QUALITY PRODUCTS. OUTSTANDING SERVICE.

A.Y. McDonald Mfg. Co. - the best in the business!

PRODUCT SPECIALISTS

WATERWORKS



Doug Roush
Senior Product Manager



George Gilson
National Water Works
Sales Manager



Rick David
Manager



Ken Lenz
Product Coordinator



Jon Gapinski
Product Coordinator



Tony Althaus
National Gas
Sales Manager



Nate Harbin
Gas Products Midwest
Territory Manager

PUMPS



Steve Potts
National Pump
Sales Manager



Jennifer Berthel
Product Coordinator



Paul Pettinger
Product Coordinator

PLUMBING



Tom Schmult
National Plumbing
Sales Manager



Jim Francois
Plumbing & Pump
Manager



Wendy Schickel
Product Coordinator

- Top-notch Customer Service
- Talk with a live person, never a machine
- Product specialists in each of our four product lines
- Call us, fax us, or e-mail us
- Websites with product information and hundreds of downloadable files

CUSTOMER SERVICE



Rob McDonald
President & CEO



Scott Knapp
Vice President
Sales & Marketing



Dennis Cosley
Director
Customer Service



Erin Rauen
Customer
Service Manager



Sandy Palen
Sales Administrative
Assistant



Jerri Walker
Sales Support
Specialists



Teresa Murphy
Customer Service
Quote Representative



Bette Schultz
Customer Service/
Return Representative



Jenifer Pickel
Customer Service
Representative



Paula Kress
Customer Service
Representative



Stacey Gednalski
Customer Service
Representative



Sue Bevan
Customer Service
Representative



Angel Gaherty
Customer Service
Representative



April Beesecker
Customer Service
Representative



Sarah Bries
Sales Order
Entry



Cindy Cook
Sales Order
Entry



JoAnn Vise
Sales Order
Entry



Nancy Duffy
Sales Order
Entry



Angela Fluhr
Sales Order
Entry

More than a brand. We're a family.

WELCOME TO THE NEW STANDARD OF SAFETY.

Beginning May 1st, 2015, A.Y. McDonald Mfg. Co. will begin marking our gas products with a new barcode that was developed in the new ASTM F-2897-14 standard. A.Y. McDonald Mfg. Co. designs and manufactures our products to comply with several industry standards. Included in these are ASME, ANSI, and ASTM standards.

New times, new technology

Our city streets and backyards are about to be safer places, and it's thanks to the new ASTM F2897 - 14 standard. With innovation and organization at its core, this standard determines the information gas-distribution products are marked with. In the event of an accident caused by a gas leak, gas utilities can access this information to locate other potentially faulty products. Through inspections and necessary replacements, we can prevent future accidents.

Making accountability easy

To make this new standard of traceability convenient for you, A.Y. McDonald has made **TRACE TAGS** standard on each and every gas valve and meter bar we manufacture. These products come complete with a barcode detailing the type of material the product is made from; where the material came from; and the date an A.Y. McDonald employee in Albia or Dubuque, Iowa, machined, assembled and tested the product.



All gas valves and meter bars you purchase from A.Y. McDonald will include a **TRACE TAG**. Once the tag is scanned for installation, enjoy the peace of mind of being forward thinking.

EVERY PART. COMPLETELY ACCOUNTED FOR.



AYD126482OV7c7U0

Component Manufacturer

– Manufactured by A.Y. McDonald Mfg. Co.

Component Lot Code

- Built in Albia or Dubuque, Iowa
- Item Number
- Item Description
- Job Number (what cell it was built on, when it was built and who was working on the cell)

Connection Type and Size

– Inlet/Outlet Size

Component Type

- Plug Valve
- Ball Valve
- Meter Bar

Material

- Cast Iron
- Brass

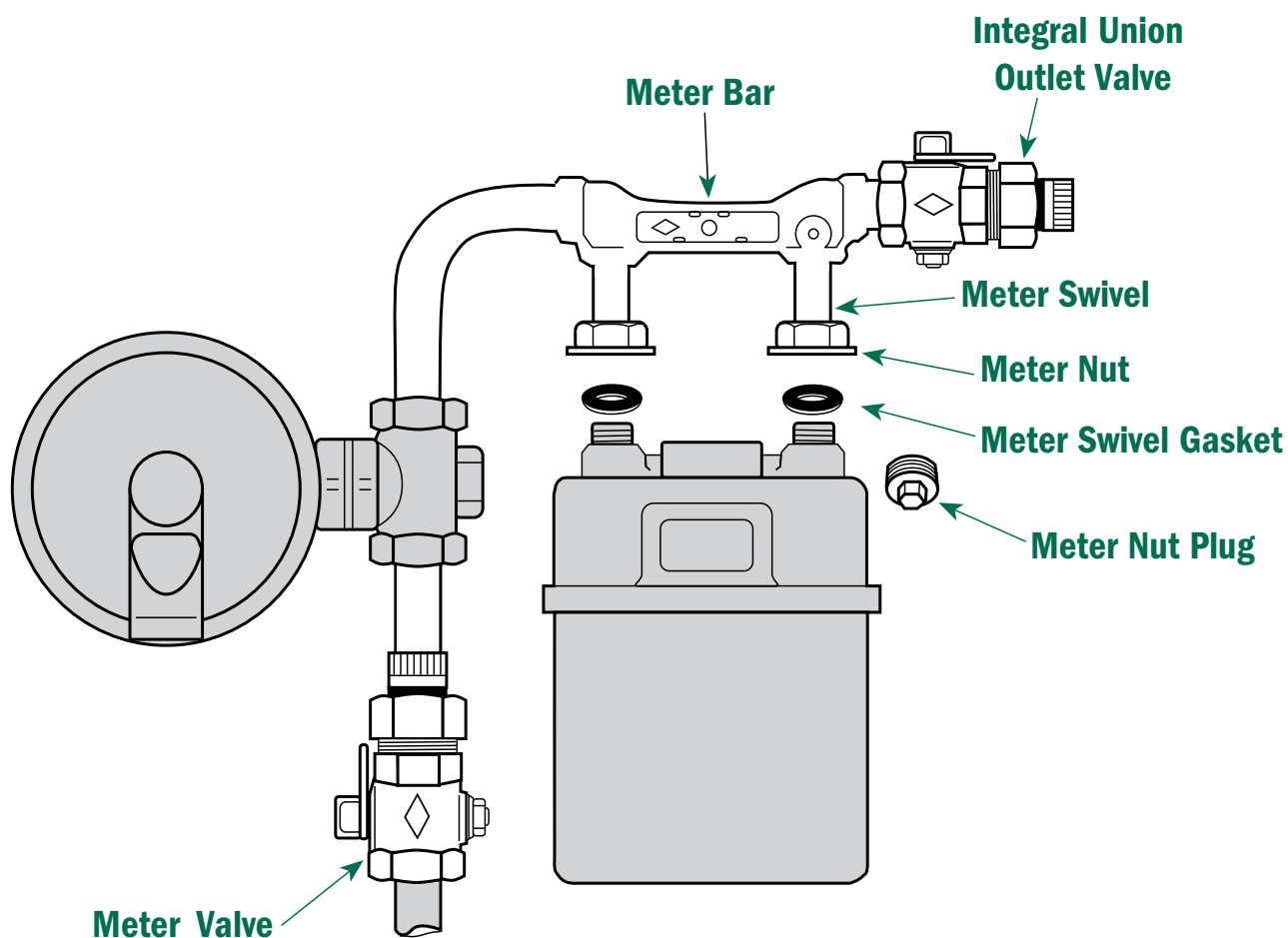


This is just the start.

Learn more about making your community safer with **TRACE TAGS** by visiting our YouTube channel.



More than a brand. We're a family.



A.Y. McDonald Mfg. Co. is known in the gas industry for its wide variety of house piping valves, gas meter valves, and curb valves. Serving the needs of gas utilities is our number one priority. The items indicated above are the products we currently offer, produced at our state-of-the-art manufacturing facilities.

Traditionally a strong competitor in the industry, A.Y. McDonald Mfg. Co. continues to practice its founder's philosophy:

“WE WILL MAKE GOOD PRODUCTS AND SELL THEM HONESTLY”

Material Specifications

BODY/END PIECE - Cast Iron per ASTM A 126 Class B

PLUG - Cast Brass - ASTM B 584/Alloy 83600 or Alloy 84400

BRASS BALL - CDA 36000

CAP (Ball Valve) - Diecast Zinc / Alloy #7

BRASS NUTS & WASHERS (Plug Valve) - ASTM B 584/Alloy B83600 or Alloy 84400 or MPIF Std. 35 Code CZ 3002

O-RINGS/TORQUE SEALS - Buna-N (Nitrile) or Neoprene rubber

PORT SEALS (Ball Valve) - PTFE

INSULATED UNION TAILPIECES - Zytel nylon insulation, Zinc plated yellow dichromate finished steel

STEM (Ball Valve) - Copper Alloy - CA 36000

UNION NUT - Malleable Iron per ASTM A 197 or Ductile Iron per ASTM A536

High Pressure Meter Ball Valves

175 PSIG Ball Style Meter Valves are precision machined and offer bubble tight leak protection both open and closed. Ball Valves offer the added feature of lower and more closely controlled operating torques for the life of the valve. The brass ball rides between two metal reinforced PTFE port seals that require no lubrication. The stem has a double o-ring seal and cannot be removed from the valve. The body and endpiece threads are pinned to prevent disassembly without damaging the valve. No field adjustment or maintenance of this valve is needed.

Additional Features:

- A.Y. McDonald's Iron Body, Brass Ball Valve is designed and tested to comply with ANSI/ASME B16.33 American National Standard for "Manually Operated Metallic Gas Valves for use in Gas Piping Systems up to 175 PSIG."
- Pressure rating is 175 PSIG.
- Soft seat design does not rely on grease to prevent leakage to the atmosphere or through the valve seats. Sealing capability is maintained even after many cycles.
- Tamper-resistant (Tamperproof) design makes the A.Y. McDonald Ball Valve virtually impossible to disassemble without making the valve unusable, i.e. pinned end piece requires excessive force to remove and valve cannot be reassembled if forcefully disassembled. The valve utilizes an internally loaded operating stem. The external cap is secured with a tamper-resistant stainless steel screw.
- Breaking torques are closely controlled in excess of what can be turned "by hand" and yet low enough to ensure easy turning with a small wrench. Easy turning remains for normal life of valve.
- A 90° rotation provides complete shut-off from the open position. Valve can be rotated full 360°.
- Pressure may be applied in either direction as A.Y. McDonald's Ball Valve is a non-directional valve.
- Traditional lockwing design easily accommodates standard "Barrel-Locks" or padlocks.
- Full Port openings accommodate the best known stop changers and yet provide less flow restriction than non-circular openings or valves with reduced ports.
- Ball valve design isolates operating cap/stem seals and main shell from internal line pressure when the valve is in the normal used, full open position. Sealing against external leakage during this normal service is thereby doubly-provided and the stem seals do provide the necessary external leak protection during cycling.
- In the normal open position, the sealing surface of A.Y. McDonald's Brass Ball is isolated from the probable contaminants by the port seals. This results in a more reliable shut off over the life of the valve.
- In addition to an o-ring, metal-to-metal positive seating of the end piece limits the squeeze on port seals, and serves as back-up seal if necessary.
- No field adjustment or maintenance required.
- Each valve is pressure tested in both directions electronically or with air under water.
- Temperature Range: -20° to +150°F.
- Available in FNPT x FNPT or FNPT x Insulated union.

Note: These valves are intended for use with natural, manufactured, and L.P. gas only.

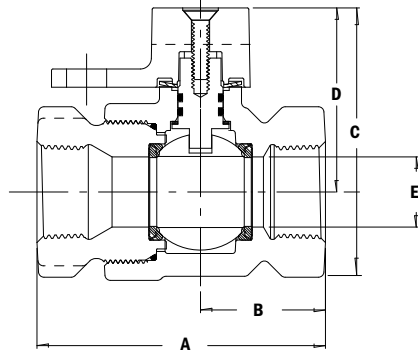


860B & 860G

Tamperproof | 175 PSIG | Flat Head | Lockwing

These valves are designed for use with natural, manufactured or LP gas only.

- **860B** - Black Iron
- **860G** - Zinc Coated with a Clear Chromate Finish Iron
- **860PNT** - Paint Coated
- **860N** - Zinc & Painted
- Brass Ball
- Inlet - FNPT Threads
- Outlet - FNPT Threads



SIZES	A	B	C	D	E	F	G	WT lbs.
3/4"	3 1/8	1 3/8	2 13/16	1 13/16	3/4	3/4	3/4	1.8
1"	3 9/15	1 11/16	3 1/8	2	1	1	1	2.5
1 1/4"	4 3/8	1 7/8	3 15/16	2 1/2	1 1/4	1 1/4	1 1/4	4.5
2"	5 7/16	2 7/16	5 1/16	3	2	2	2	8.3

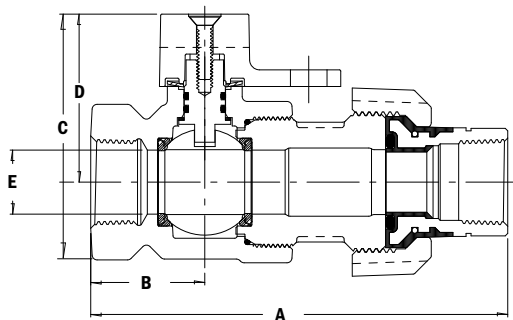


8276B & 8276G

Tamperproof | 175 PSIG | Flat Head | Lockwing

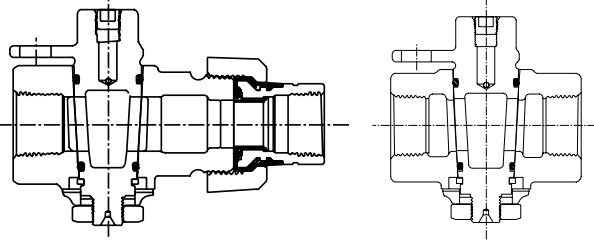
These valves are designed for use with natural, manufactured or LP gas only.

- **8276B** - Black Iron
- **8276G** - Zinc Coated with a Clear Chromate Finish Iron
- **8276PNT** - Paint Coated
- **8276N** - Zinc & Painted
- Brass Ball
- Inlet - FNPT Threads
- Outlet - Insulated Union with FNPT Threads Tailpiece



SIZES	A	B	C	D	E	F	WT lbs.
3/4"	5	1 3/8	1 13/16	3/4	3/4	3/4	2.5
1"	5 13/16	1 11/16	2	1	1	1	3.4
1 1/4"	7	1 7/8	2 1/2	1 1/4	1 1/4	1 1/4	5.7
2"	6 15/16	2 7/16	3	2	2	2	12.5

High Pressure Meter Plug Valves



175 PSIG Plug Style Meter Valves can be relubricated while in service. Special machined grooves in the plug channel provide grease to all sealing surfaces. See page 9 for relubing instructions.

Iron Body Gas Plug Valves Features

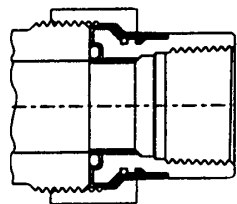
- A.Y. McDonald's Iron Body, Brass Plug Valve is designed and tested to comply with ANSI/ASME B16.33 American National Standard for "Manually Operated Metallic Gas Valves for use in Gas Piping Systems up to 175 PSIG."
- Pressure ratings are or 175 PSIG.
- Each valve is factory lubricated and suitable for use with natural, manufactured and LP gases.
- 175 PSIG valves can be relubricated while in service and under pressure. This renews the grease seal to a like new condition adding to the life of the valve.
- Valves plugs are equipped with top and bottom o-rings for added security against external leakage.
- Tamper-resistant (tamperproof) design prevents disassembly with normal household tools.
- The on/off turning torques are controlled at assembly by using torque machines to set the bottom nut which is also staked in place to maintain this torque.
- Pressure may be applied in either direction as A.Y. McDonald's Plug Valve is a non-directional valve.
- The 90° rotation provides complete shut-off from open position. Valve can be rotated full 360°.
- Available with or without locking. Both models fit industry-standard, separately-supplied locking devices such as the "casket or barrel lock."
- Port openings sized to accommodate the best known stop changers.
- Temperature Range: -20° to +150°F.
- Available in FNPT x FNPT or FNPT x Insulated union.
- Each valve is pressure tested in both directions electronically or with air under water.

Note: These valves are intended for use with natural, manufactured and L.P. gas only.

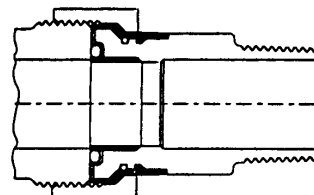


Megan Coop
2 Years of
Service
Albia, IA

Meter Valve Outlet Union Styles



Insulated Union
with O-ring seal
FNPT Outlet Threads

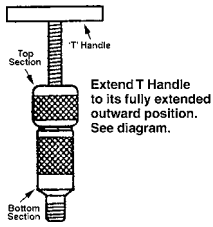


Insulated Union
with O-ring seal
MNPT Outlet Threads

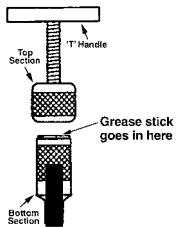
- A second O-ring is molded into the plastic to improve sealing without over tightening the union nut.
- The one piece molded insulator protects the service line and the main from stray currents.
- Available in 4" length, see page 15.

Using "558" Re-Lubrication Tool

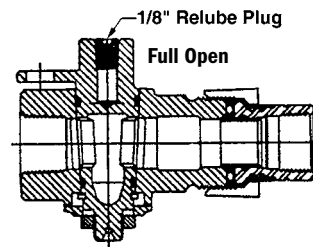
For use on 175 PSIG Re-Lube Plug Valves & with A.Y. McDonald Grease Only



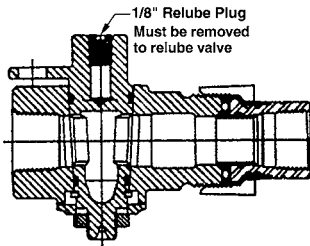
1 Turn the "T" Handle counter-clockwise until the handle is fully extended outward (see picture), this will raise plunger & O-ring into the cap so grease may be added inside the body (bottom section) of the tool.



2 Unscrew the top section (with the handle) from the "558" Re-Lubricating Tool, insert a stick of A.Y. McDonald Grease (#558GR) into the body (bottom section) of the tool, and screw the top section back onto the bottom section hand tight.



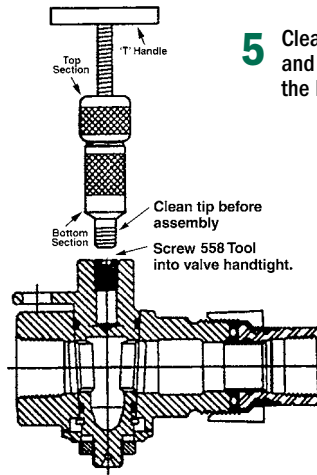
3 A.Y. McDonald 175 PSIG Gas Valves may be re-lubricated in the full open or the full closed position when the valve is pressurized or un-pressurized.



4 Remove the 1/8" NPT Allen Head Pipe Plug from the re-lubrication port in the head of the plug.

NOTE:

- A small amount of gas leakage may be observed from the re-lube port while performing this procedure, based on the amount of grease left in the valve prior to the valve being re-lubed.
- Other commercially available re-lube tools may be used, but you must check with the factory before using.
- 100 PSIG gas valves do not have re-lube ports in the plug and cannot be re-lubricated.
- The field Service Personnel, after a few trials, should be able to tell by the feel (resistance) of the handle, when the stop is filled has a adequate amount of grease in it.

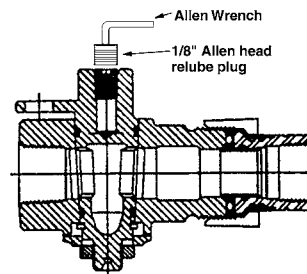


5 Clean the nozzle tip of the "558" Re-Lubrication Tool and very carefully thread it into the re-lube port in the head of the valve plug.

6 Turn the "T" Handle clockwise to force the lubricant into the valve, if immediate resistance is felt, the "558" Re-lubrication Tool may have a hardened grease deposit in the barrel which must be removed before proceeding to re-lube the gas valve, (remove re-lube tool from the valve, unscrew the top section from the bottom section of the re-lube tool, stick a piece of wire (smaller than opening on end of tube) through the bottom section of the re-lube tool until the wire comes out the opposite end) reassemble the top section

to the bottom section, re-connect tool to valve plug re-lube port, and continue to turn the "T" Handle clockwise to force the A.Y. McDonald Lubricant into the valve. Caution: Re-lube valve carefully to insure the valve is not overlubricated.

7 Unscrew "558" Re-Lubrication Tool by turning counter-clockwise until there is only a couple threads left engaged. Turn "T" Handle clockwise to add a little more grease to fill void left in head of plug from backing off the tool, then remove tool completely from valve (put tool back into container to avoid dirt or foreign material from contaminating grease on tool).



8 After re-lubrication of the valve is complete, the 1/8" Allen Head Re-Lube Plug must securely replaced in the re-lube port in the head of the valve plug and tightened with an Allen Wrench to 30 in. lbs. of torque.



Re-Lubrication Tool

- 558 - Grease Tool
- 558GR - Grease Sticks for use with 558 Re-Lubrication tool. 24 sticks/box.

A.Y. McDonald Mfg. Co. model number 558 Re-Lubrication Tool is an easy and economical way to lubricate 175 PSIG gas meter valves.

The tool is machined from steel alloy for durability and has an Allen wrench mounted to the body for convenience. It can be used to re-lubricate A.Y. McDonald valves in the full open or the full closed position when the valve is pressurized or unpressurized. It will also lubricate valves of other manufacturers. Check with them for their recommended procedures.



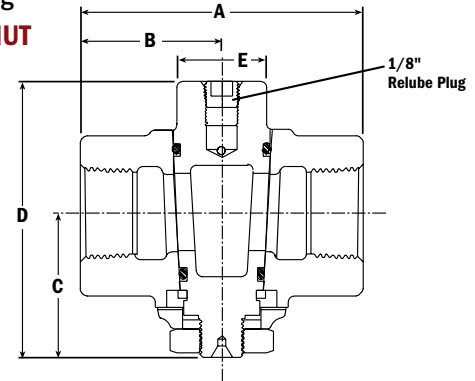
Sandy Wade
23 Years of
Service
Albia, IA

559B & 559G

Tamperproof | 175 PSIG | Flat Head

These valves are designed for use with natural, manufactured or LP gas only. All A.Y. McDonald 175 PSIG Gas Valves may be re-lubricated in the full open or the full closed position when the valve is pressurized or un-pressurized.

- 559B - Black Iron
- 559G - Zinc Coated with a Clear Chromate Finish Iron
- Brass Plug
- Inlet - FNPT Threads
- Outlet - FNPT Threads
- 559BC - 559B with 1/8" Test Plug
- **DO NOT TAMPER WITH BOTTOM NUT**



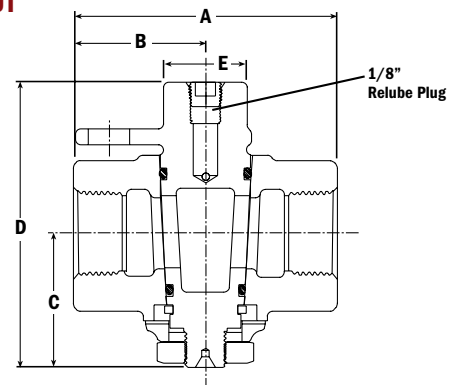
SIZES	A	B	C	D	E	WT lbs.
1/2"	3 3/16"	1 19/32"	1 19/32"	3 3/16"	1"	1.6
3/4"	3 3/16"	1 19/32"	1 19/32"	3 3/16"	1"	1.6
1"	3 3/8"	1 11/16"	1 7/8"	3 17/32"	1 1/8"	2.4
1 1/4"	3 7/8"	1 15/16"	2 3/8"	4 3/8"	1 3/8"	3.7
1 1/2"	4 5/8"	2 5/16"	2 5/8"	5"	1 5/8"	6.1
2"	5 5/8"	2 13/16"	3"	5 9/16"	1 7/8"	9.3

560B & 560G

Tamperproof | 175 PSIG | Flat Head | Lockwing

These valves are designed for use with natural, manufactured or LP gas only. All A.Y. McDonald 175 PSIG Gas Valves may be re-lubricated in the full open or the full closed position when the valve is pressurized or un-pressurized.

- 560B - Black Iron
- 560G - Zinc Coated with a Clear Chromate Finish Iron
- Brass Plug
- Inlet - FNPT Threads
- Outlet - FNPT Threads
- 560BC - 560B with 1/8" Test Plug
- **DO NOT TAMPER WITH BOTTOM NUT**



SIZES	A	B	C	D	E	WT lbs.
1/2"	3 3/16"	1 11/32"	1 5/8"	3 15/32"	1"	1.8
1/2" x 3/4"	3 3/16"	1 11/32"	1 5/8"	3 15/32"	1"	1.8
3/4"	3 3/16"	1 11/32"	1 5/8"	3 15/32"	1"	1.8
3/4" x 1"	3 5/16"	1 9/16"	1 5/8"	3 15/32"	1"	2.5
1"	3 3/8"	1 19/32"	1 7/8"	3 11/16"	1 1/8"	2.4
1 1/4"	3 7/8"	1 15/16"	2 3/8"	4 11/16"	1 3/8"	3.9
1 1/2"	4 5/8"	2 5/16"	2 11/16"	5 7/16"	1 5/8"	6.9
2"	5 5/8"	2 13/16"	3"	5 13/16"	1 7/8"	9.5

NOTE: All dimensions shown are for reference only. Contact factory if specific dimensional values or tolerances are required.

PLUG VALVES

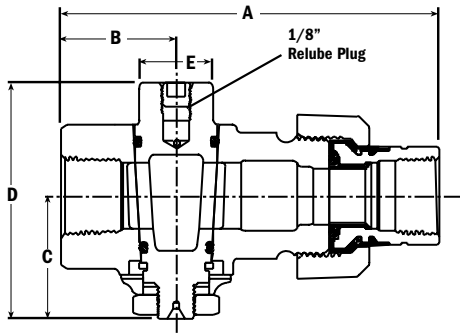
6366B & 6366G

Tamperproof | 175 PSIG | Flat Head



These valves are designed for use with natural, manufactured or LP gas only. All A.Y. McDonald 175 PSIG Gas Valves may be re-lubricated in the full open or the full closed position when the valve is pressurized or un-pressurized. All A.Y. McDonald plug style gas valves have factory set turning torque.

- **6366B** - Black Iron
- **6366G** - Zinc Coated with a Clear Chromate Finish Iron
- Brass Plug
- Inlet - FNPT Threads
- Outlet - Insulated Union with FNPT Threads Tailpiece
- **DO NOT TAMPER WITH BOTTOM NUT**



SIZES	A	B	C	D	E	WT lbs.
3/4"	5 1/8"	1 17/32"	1 11/16"	3 3/16"	1"	2.3
1"	6 3/16"	2 1/8"	1 7/8"	3 17/32"	1 1/8"	3.3
1 1/4"	6 1/2"	2 3/16"	2 3/8"	4 3/8"	1 3/8"	5.2
1 1/4" x 3/4"	6 1/8"	2 1/2"	1 11/16"	3 3/16"	1"	2.9

PLUG VALVES

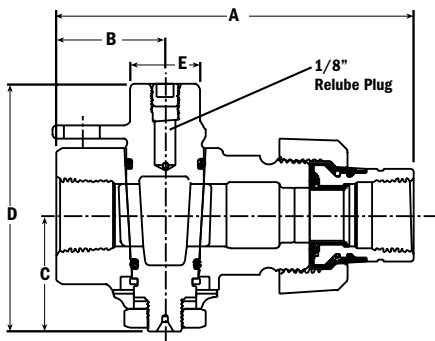
6276B & 6276G

Tamperproof | 175 PSIG | Flat Head | Lockwing



These valves are designed for use with natural, manufactured or LP gas only. All A.Y. McDonald 175 PSIG Gas Valves may be re-lubricated in the full open or the full closed position when the valve is pressurized or un-pressurized. All A.Y. McDonald plug style gas valves have factory set turning torque.

- **6276B** - Black Iron
- **6276G** - Zinc Coated with a Clear Chromate Finish Iron
- Brass Plug
- Inlet - FNPT Threads
- Outlet - Insulated Union with FNPT Threads Tailpiece
- **6276BC** - 6276B with 1/8" Test Plug
- **DO NOT TAMPER WITH BOTTOM NUT**



SIZES	A	B	C	D	E	WT lbs.
3/4"	5 1/8"	1 17/32"	1 5/8"	3 15/32"	1"	2.5
1"	5 3/4"	1 11/16"	1 7/8"	3 11/16"	1 1/8"	3.5
1 x 3/4"	6 1/8"	2 1/2"	1 5/8"	3 15/32"	1"	3.1
1 1/4"	6 1/2"	2 3/16"	2 3/8"	4 11/16"	1 3/8"	5.3
1 1/4" x 3/4"	6 1/8"	2 1/2"	1 5/8"	3 15/32"	1"	3.1
2"	7 7/8"	2 13/16"	2 31/32"	5 13/16"	1 7/8"	12.38

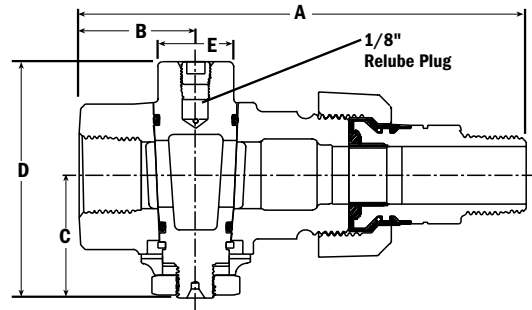
NOTE: All dimensions shown are for reference only. Contact factory if specific dimensional values or tolerances are required.

6517B & 6517G

Tamperproof | 175 PSIG | Flat Head

These valves are designed for use with natural, manufactured or LP gas only. All A.Y. McDonald 175 PSIG Gas Valves may be re-lubricated in the full open or the full closed position when the valve is pressurized or un-pressurized.

- 6517B - Black Iron
- 6517G - Zinc Coated with a Clear Chromate Finish Iron
- Brass Plug
- Inlet - FNPT Threads
- Outlet - Insulated Union with MNPT Threads Tailpiece
- **DO NOT TAMPER WITH BOTTOM NUT**



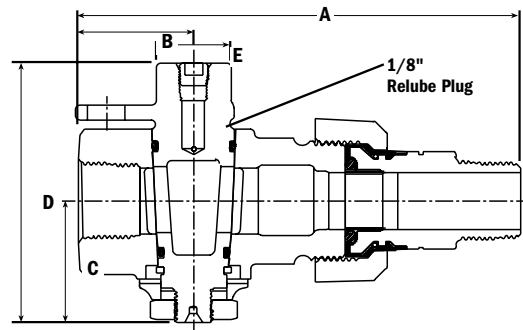
SIZE	A	B	C	D	E	WT lbs.
3/4"	5 31/32"	1 17/32"	1 11/16"	3 3/16"	1"	2.4

6316B & 6316G

Tamperproof | 175 PSIG | Flat Head | Lockwing

These valves are designed for use with natural, manufactured or LP gas only. All A.Y. McDonald 175 PSIG Gas Valves may be re-lubricated in the full open or the full closed position when the valve is pressurized or un-pressurized.

- 6316B - Black Iron
- 6316G - Zinc Coated with a Clear Chromate Finish Iron
- Brass Plug
- Inlet - FNPT Threads
- Outlet - Insulated Union with MNPT Threads Tailpiece
- **DO NOT TAMPER WITH BOTTOM NUT**



SIZE	A	B	C	D	E	WT lbs.
3/4"	5 15/16"	1 17/32"	1 5/8"	3 7/16"	1"	2.3

NOTE: All dimensions shown are for reference only. Contact factory if specific dimensional values or tolerances are required.

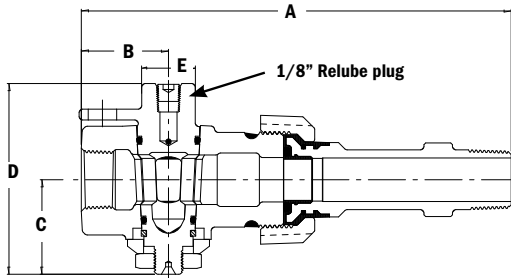
6316BDFGB & 6316GDFG

Tamperproof | 175 PSIG | Flat Head | Lockwing



These valves are designed for use with natural, manufactured or LP gas only. All A.Y. McDonald 175 PSIG Gas Valves may be re-lubricated in the full open or the full closed position when the valve is pressurized or un-pressurized.

- 6316BDFG - Black Iron
- 6316GDFG - Zinc Coated with a Clear Chromate Finish Iron
- Brass Plug
- Inlet - FNPT Threads
- Outlet - Insulated Union with MNPT Threads Tailpiece
- **DO NOT TAMPER WITH BOTTOM NUT**
- **NOTE: The 4" Insulated end piece can be used with any of our 3/4" union valves**



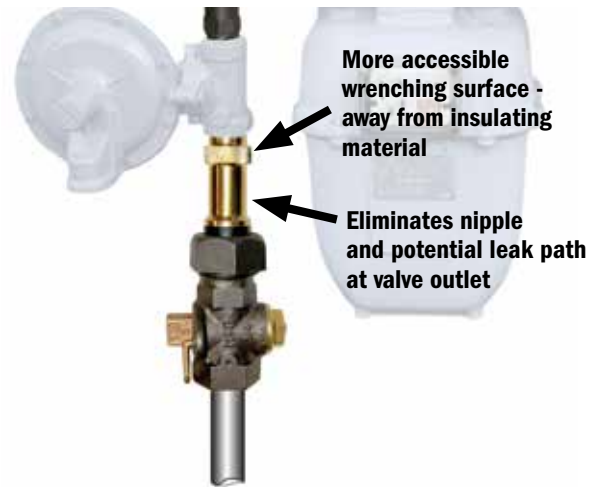
SIZE	A	B	C	D	E	WT lbs.
3/4"	7 9/19"	1 17/32"	1 5/8"	3 7/16"	1"	2.85

PLUG VALVES

Typical Installation - 4" Tailpiece

A.Y. McDonald's high quality iron meter valves are now available with a 4" extended length insulated end piece with male threads. This allows direct assembly of the valve to the regulator in a meter set, which eliminates a nipple, and most importantly, there is one less leak path on the high pressure side of the regulator.

- All A.Y. McDonald Mfg. Co. Gas products meet or exceed industry standards.
- 4" Tailpiece can be used on any A.Y. McDonald 3/4" Union Style Valve
- Call factory for details.



125 PSI

569BR*
3/4"

*Non-Stock item
300 piece minimum
order required.



50 PSI

555

Angle Curb Stop
Brass body, cast
iron wrench head

MNPT x Compression
1 1/2" x 1 3/8"

Curb Valves

High Pressure Gas Curb Valves have proven to be the most satisfactory for underground installations. The Inverted Plug Design (569BR), which has the large diameter of the plug at the bottom, is held in the proper position by a heavy stainless steel spring. A downward force on the flat head cap momentarily unseats the plug from the valve body a controlled amount resulting in ease of turning. The spring tension and gas pressure is intended to reseat the plug. The Buna-N O-rings at top of plug and in base cap prevent external leakage, especially during cycling.

NOTE: These valves are designed for use with natural, manufactured or LP gas only.

Gas Curb Valves are available by special order only.

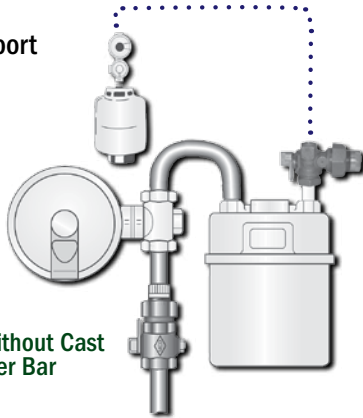
NOTE: All dimensions shown are for reference only. Contact factory if specific dimensional values or tolerances are required.

837B & 837G - Meter Outlet / Bypass Valves

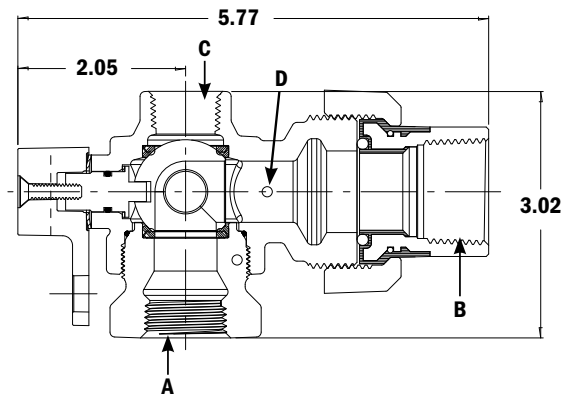
5 PSIG | Tamperproof | Lockwing | Union | By-Pass Option

Can be assembled directly to the meter outlet, or used with a meter bar that provides a solid anchor to the meter set. This valve can be produced with or without a by-pass feature. These valves are designed for use with natural, manufactured or LP gas only.

- 837B - Black Iron
- 837G - Zinc Coated with a Clear Chromate Finish Iron
- Outlet - Insulated Union with FNPT Threads Tailpiece
- Inlet - FNPT Threads
- Brass Ball with 3/4" port



Shown without Cast Meter Bar



A	B	C	D
Inlet Sizes	Outlet Thread Sizes	By-pass Tap Size (optional)	Pressure Tap Sizes (optional)
1", 3/4" FNPT	3/4", 1" NPT	3/8" NPT	1/8", 1/4" NPT

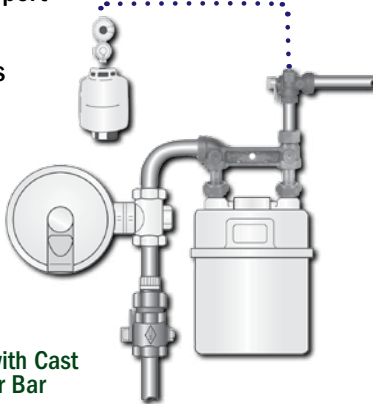
BYPASS BALL VALVES

835B & 835G - Meter Outlet / Bypass Valves

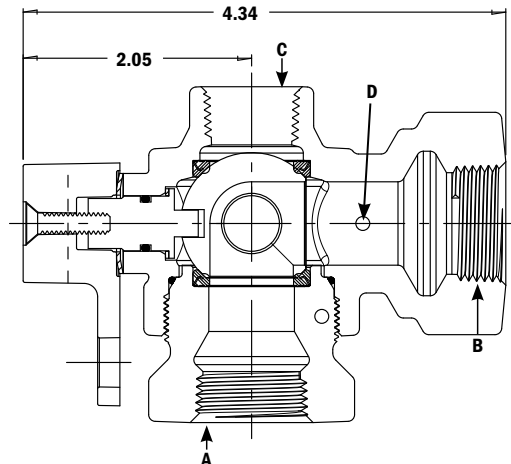
5 PSIG | Tamperproof | Lockwing | By-Pass Option

Can be assembled directly to the meter outlet, or used with a meter bar that provides a solid anchor to the meter set. This valve can be produced with or without a by-pass feature. These valves are designed for use with natural, manufactured or LP gas only.

- 835B - Black Iron
- 835G - Zinc Coated with a Clear Chromate Finish Iron
- Brass Ball with 3/4" port
- Inlet - FNPT Threads
- Outlet - FNPT Threads



Shown with Cast Meter Bar



A	B	C	D
Inlet Sizes	Outlet Thread Sizes	By-pass Tap Size (optional)	Pressure Tap Sizes (optional)
1", 3/4" FNPT	3/4", 1" NPT	3/8" NPT	1/8", 1/4" NPT

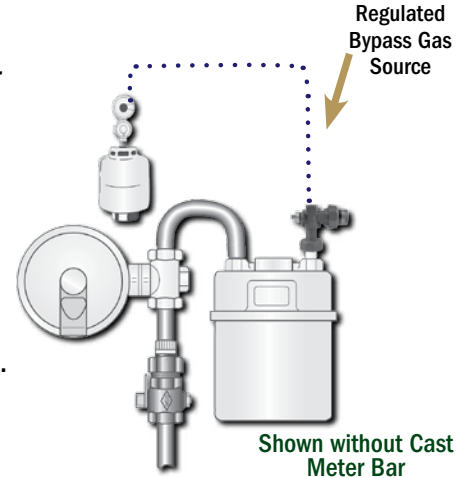
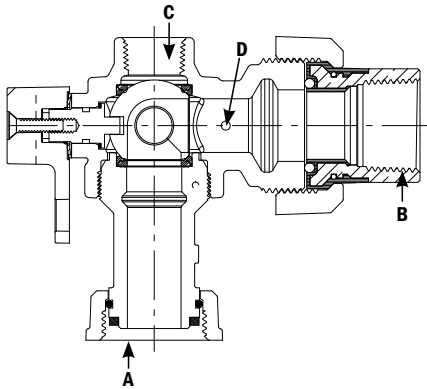
857B & 857G - Meter Outlet / Bypass Valves

5 PSIG | Tamperproof | Lockwing | Union | By-Pass Option



Can be assembled directly to the meter outlet, or used with a meter bar that provides a solid anchor to the meter set. This valve can be produced with or without a by-pass feature. These valves are designed for use with natural, manufactured or LP gas only.

- **857B** - Black Iron
- **857G** - Zinc Coated with a Clear Chromate Finish Iron
- Brass Ball with 3/4" port
- Inlet - Meter Swivel Nut
- Outlet - Insulated Union with FNPT Threads Tailpiece
- For meter bar by-pass options, see pages 30 & 31.
- Typical installation, see page 14.



Shown without Cast Meter Bar

A	B	C	D
Inlet Meter Nut Sizes	Outlet Thread Sizes	By-pass Tap Size (optional)	Pressure Tap Sizes (optional)
10LT, 1A, OEM 20LT, 30LT	3/4", 1" NPT	3/8" NPT	1/8", 1/4" NPT

BYPASS BALL VALVES

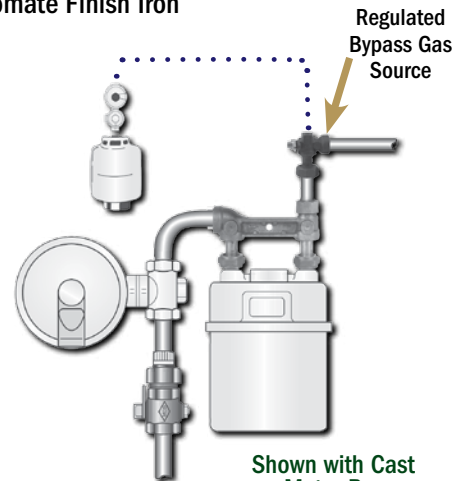
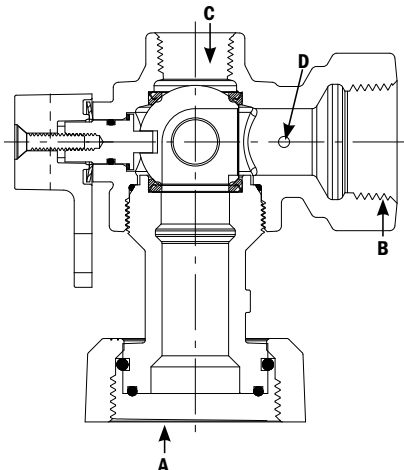
855B & 855G - Meter Outlet / Bypass Valves

5 PSIG | Tamperproof | Lockwing | By-Pass Option



Can be assembled directly to the meter outlet, or used with a meter bar that provides a solid anchor to the meter set. This valve can be produced with or without a by-pass feature. These valves are designed for use with natural, manufactured or LP gas only.

- **855B** - Black Iron
- **855G** - Zinc Coated with a Clear Chromate Finish Iron
- Brass Ball with 3/4" port
- Inlet - Meter Swivel Nut
- Outlet - FNPT Threads
- For meter bar by-pass options, see pages 30 & 31.
- Typical installation, see page 14.



Shown with Cast Meter Bar

A	B	C	D
Inlet Meter Nut Sizes	Outlet Thread Sizes	By-pass Tap Size (optional)	Pressure Tap Sizes (optional)
10LT, 1A, OEM 20LT, 30LT	3/4", 1" NPT	3/8" NPT	1/8", 1/4" NPT

Meter Bars

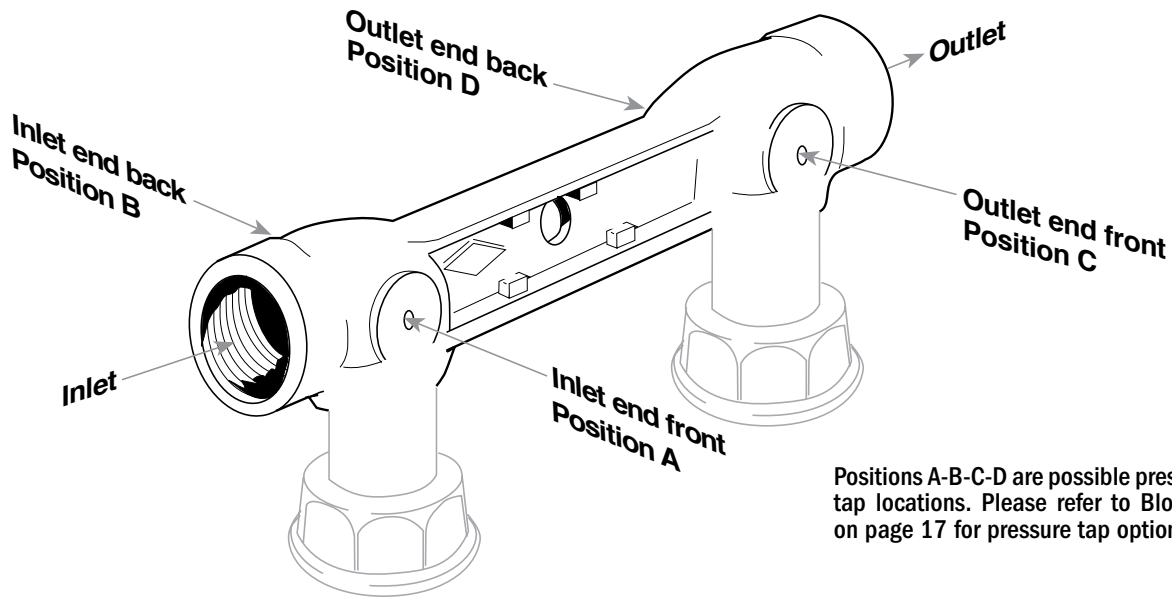
A.Y. McDonald Mfg. Co. Cast Iron Meter Bars have heavy, one piece I-Beam construction to protect the meter from piping stresses and ensure a solid installation.

Gas Meter Bars without Integral Swivels

National Pipe Threads (NPT) are provided on the inlet, outlet, and bottom swivel tapplings. A. Y. McDonald meter bars can fit most requirements by using them with a combination of straight or offset meter swivels.

Gas Meter Bars with Integral Swivels

National Pipe Threads (NPT) are provided on the inlet and outlet tapplings. Special meter swivels are integral to the meter bar, thus decreasing leakage potential and improving convenience of handling and maintenance. Swivels are provided with flat gaskets or o-rings.



Positions A-B-C-D are possible pressure tap locations. Please refer to Block 7 on page 17 for pressure tap options.

INLET AND OUTLET CONNECTIONS

NPT inlet tapping provides a solid connection directly into the bar. Outlets are provided with NPT integral or union type connections. Union connections have a flat rubber gasket or an o-ring seal.

INSULATED UNION OUTLET

The union outlet can be provided insulated to minimize electrolysis.

Note: These bars are intended for use with natural, manufactured and L.P. gas only.



Darla Christophersen
21 Years
of Service
Albia, IA

Material Specifications

- METER BAR** - Cast iron per ASTM A126 Class B
- UNION NUT** - Malleable iron per ASTM A47 or Ductile iron per ASTM A536
- UNION TAILPIECES** - Zinc plated yellow dichromate finished steel
- INSULATED UNION TAILPIECES** - Zytel nylon insulation
- FLAT GASKET/O-RINGS** - Buna-N or neoprene suitable for use with natural, manufactured and L.P. gases
- SWIVELS AND SWIVEL NUTS** - Malleable iron per ASTM A47 or Ductile iron per ASTM A536
- METER PLUGS** - Cast iron per ASTM A126 Class B

- Meter bars are electronically leak tested or equivalent at 90 PSIG.
- All connections with pipe threads require the use of a proven thread sealant at installation.

Building a Meter Bar Model Number

A.Y. McDonald Mfg. Co. Gas Meter Bars can be ordered to fit your requirements. Select the features you need from list below and build your own ordering number. Please note the difference in numbers between regular meter bars, and meter bars with built in swivels. Meter bars with swivels have two extra blocks before the size to select the size and type of swivels.

GAS METER BARS

Example: Model number **6600GCAB** 1x1 means:



BLOCK 1

6 = All meter bars

BLOCK 2 - METER BAR TYPE

- 3 = Bypass meter bar, 1" 2-port valve, 1", 3-port valve
- 4 = Bypass meter bar, two 1", 3-port valves
- 5 = Standard meter bar w/integral MNPT inlet
- 6 = Standard meter bar
- 7 = Meter bar with integral 3/4" valve (relube-unless specified differently)
- 8 = Meter bar with integral 1" valve (non-relube-unless specified differently)
- 9 = Meter bar with 3/4" union valve (sleeved)

BLOCK 3 - METER BAR SPREAD

- 0 = 6 1/2" spread
- 1 = 6" spread
- 2 = 6" spread w/integral meter swivels
- 4 = 7" spread
- 5 = 11 1/8" spread
- 6 = 6" spread w/integral cast meter swivels
- 7 = 8 1/4" spread w/integral cast meter swivels
- 8 = 8 1/4" spread

BLOCK 4 - END CONFIGURATION/BAR TYPE

- 0 = Horizontal inlet by horizontal outlet
- 1 = Back inlet by back outlet
- 2 = Direct center (back) inlet by vertical outlet
- 3 = Direct center (back) inlet by horizontal outlet
- 4 = Horizontal inlet by vertical outlet
- 5 = Horizontal inlet by back outlet
- 8 = Vertical inlet by vertical outlet
- 9 = Vertical elbow inlet x horizontal outlet

BLOCK 5 - FINISH/PACKING CONDITIONS

- = Black cast iron finish
- A = Black finish, meter bar with 3/4" non-relube integral valve
- G = Zinc and Clear Chromate finish
- L = Alternate Locking
- N = CMMC Style meter bar with lockwing - zinc plated finish
- P = Painted finish
- R = Lockwing Painted finish
- X = Bulk packed (painted finish)
- Y = Bulk packed (zinc finish)
- Z = Bulk packed (black finish)

BLOCK 6 - OUTLET END TYPE

- A = Compression steel pipe union (inlet and outlet)
- B = Female integral
- C = Female insulated O-ring union
- D = Female insulated O-ring union (reducing NPT)
- E = Female insulated flat gasket union (reducing NPT)
- F = Female insulated flat gasket union
- H = Male insulated O-ring union
- J = Male insulated flat gasket union
- K = Male non-insulated O-ring union
- L = Male non-insulated flat gasket union
- M = Male integral
- S = Female non-insulated O-ring union
- U = Female non-insulated flat gasket union
- W = Female non-insulated flat gasket union (reducing NPT)

BLOCK 7 - TAP(S) POSITION

- = No tap
 - SINGLE TAP
 - A = Pos. A
 - B = Pos. B
 - C = Pos. C
 - D = Pos. D
 - MULTIPLE TAPS
 - E = Pos. A & B
 - H = Pos. A & C
 - J = Pos. A & D
 - K = Pos. B & C
 - L = Pos. B & D
 - N = Pos. C & D
- See drawing on page 16 for positions
- Q = Pos. A, B & C
 - R = Pos. A, B & D
 - T = Pos. A, C & D
 - W = Pos. B, C & D
 - X = Pos. A, B, C & D

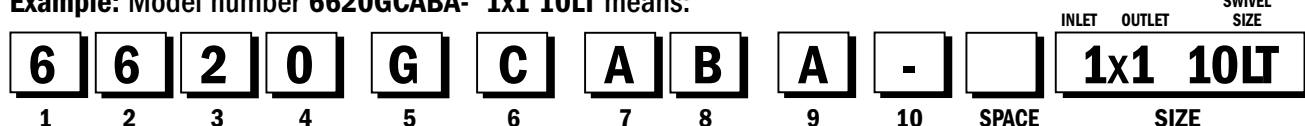
BLOCK 8 - TAP PLUG SIZE/TYPE*

- = No tap
- A = 1/8" NPT recessed hex head plug
- B = 1/8" NPT square head plug
- C = 1/8" NPT - no plug
- D = 1/4" NPT recessed hex head plug
- E = 1/4" NPT square head plug
- F = 1/4" NPT - no plug
- G = 3/8" NPT recessed hex head plug
- H = 3/8" NPT square head plug
- J = 3/8" NPT - no plug
- M = 1/8" NPT hex head plug
- N = 1/4" NPT square head plug in inlet and 1/8" recessed hex head plug in outlet

*For mixed combinations, contact factory.

GAS METER BARS WITH INTEGRAL SWIVELS

Example: Model number **6620GCABA- 1x1 10LT** means:



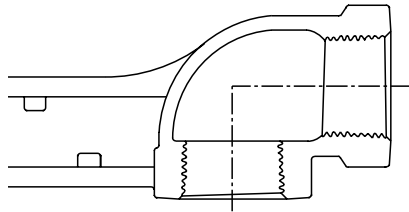
BLOCK 9 - SWIVEL SIZE AND TYPE

- A = 10 LT 10 Light swivel with flat gasket seal
- B = 20 LT 20 Light swivel with flat gasket seal
- C = 20 LTO 20 Light swivel with o-ring seal
- D = 30 LT 30 Light swivel with flat gasket seal
- E = 30 LTO 30 Light swivel with o-ring seal
- F = OEM O-Emco swivel with flat gasket seal
- G = OEMO O-Emco swivel with o-ring seal
- H = 1A #1A Sprague swivel with flat gasket seal
- J = 1AO #1A Sprague swivel with o-ring seal

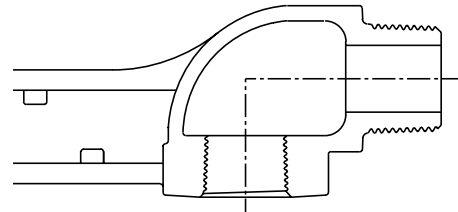
BLOCK 10 - SPECIAL SWIVEL COMBINATIONS

- = Standard swivels and nuts (same as block #5)
- A = Swivel gaskets or o-rings assembled with the wrap
- B = Brass swivels and nuts
- C = Brass swivels and standard nuts (same as the bar)
- D = Brass nuts and standard swivels (same as the bar)
- G = Zinc Coated with a Clear Chromate finish swivels and nuts
- H = Zinc Coated with a Clear Chromate finish nuts only
- K = NPT Swivels assembled to meter bar
- P = Zinc and yellow chromate plated nuts only
- Q = Zinc with yellow chromate plated nuts only, gaskets attached to bar.

Integral Outlets



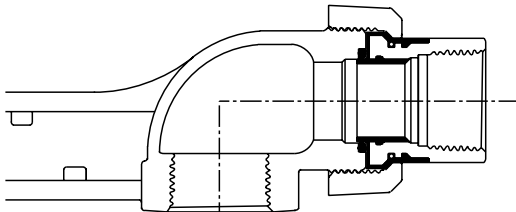
FNPT threads



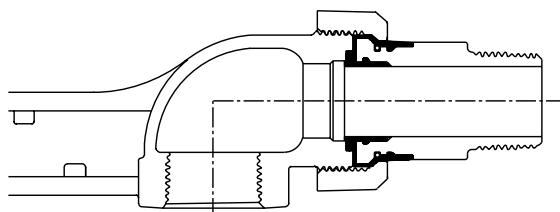
MNPT threads

Insulated Union Outlets

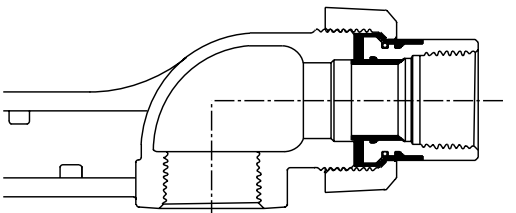
- Insulated tailpiece has second o-ring molded into the plastic to improve sealing without over-tightening the union nut.



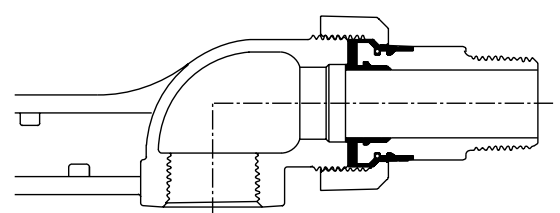
O-Ring seal/FNPT threads



O-Ring seal/MNPT threads

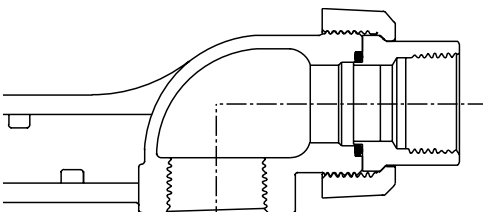


Flat gasket seal/FNPT threads

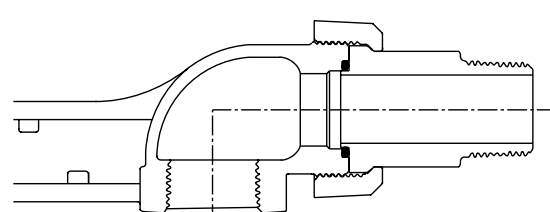


Flat gasket seal/MNPT threads

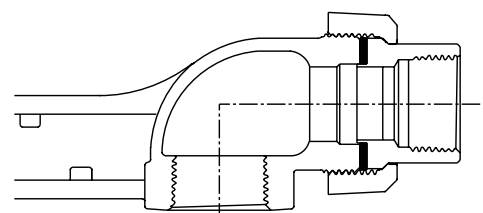
Non-Insulated Union Outlets



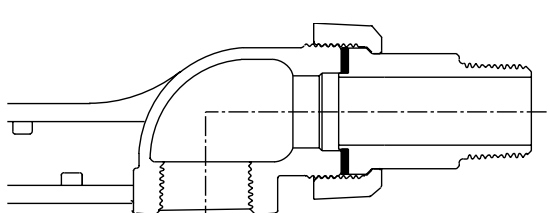
O-Ring seal/FNPT threads



O-Ring seal/MNPT threads



Flat gasket seal/FNPT threads



Flat gasket seal/MNPT threads

6600, 6610, & 6640

Horizontal Inlet & Outlet | No Attached Swivels



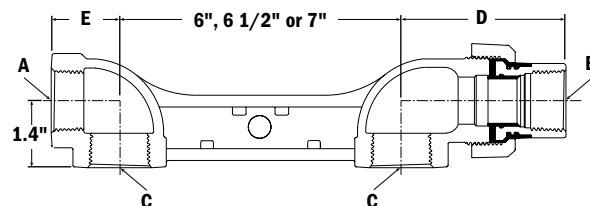
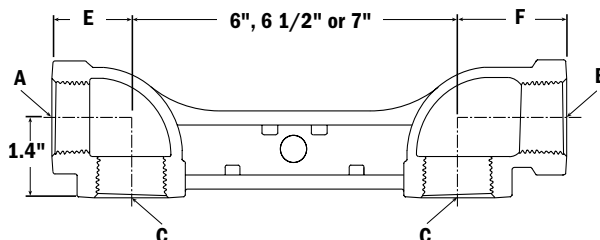
Series	Centerline	
6610-B	6"	- FNPT x FNPT
6600-B	6 1/2"	- *MNPT Outlet
6640-B	7"	Option Available



Series	Centerline	
6610	6"	- FNPT x Union
6600	6 1/2"	- Insulated O-Ring or Flat Gasket Union
6640	7"*	- Non-insulated O-Ring or Flat Gasket Union

* Only Insulated O-Ring Union Available

Note: These bars are intended for use with natural, manufactured and L.P. gas only.



A	B	C	D	E	F	Centerline
3/4"	3/4"	3/4"	3.3	1.4	2"	6" and 6 1/2"
1"	1"	1"	3.4	1.4	2"	
3/4"	1"	3/4"	3.4	1.4	2"	
1"	1"	3/4"	3.4	1.4	2"	6"
3/4"	3/4"	1"	3.4	1.4	2"	
1"	3/4"	3/4"	3.3	1.4	2"	
1 1/2"	1 1/2"	1 1/2"		1 3/4"	1 3/4"	6"
1 1/4"	1 1/4"	1 1/4"	3.5	1.4	2"	7"

METER BARS



Series	Centerline	
6614-B	6"	- FNPT x FNPT
6604-B	6 1/2"	



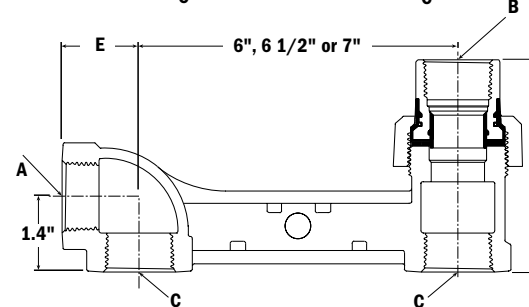
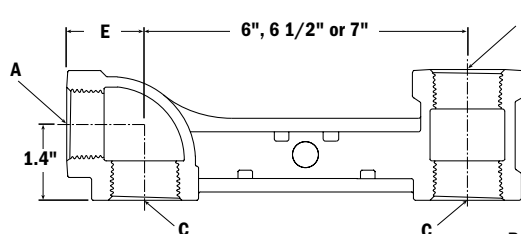
Series	Centerline	
6614	6"	- FNPT x Union
6604	6 1/2"	- Insulated O-Ring or Flat Gasket Union
6644	7"*	- Non-insulated O-Ring or Flat Gasket Union

* Only Insulated O-Ring Union Available

- For side taps, add letters. See page 16 & 17.
- For other options, see page 18.
- NOTE: All dimensions shown are for reference only. Contact factory if specific dimensional values or tolerances are required.
- **Note:** These bars are intended for use with natural, manufactured and L.P. gas only.

6604, 6614, & 6644

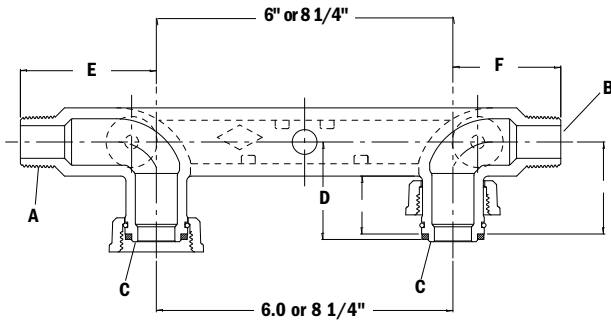
Horizontal Inlet & Vertical Outlet



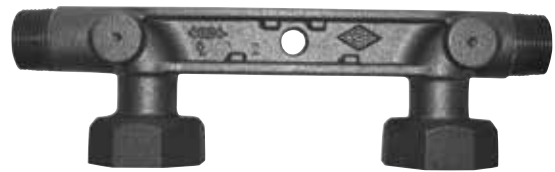
A	B	C	D	E	Centerline
3/4"	3/4"	3/4"	3.8	1.4	6" and 6 1/2"
1"	1"	1"	3.9	1.4	
3/4"	1"	3/4"	3.9	1.4	
1"	1"	3/4"	3.9	1.4	7"
3/4"	1"	1"	3.9	1.4	
1"	3/4"	3/4"	3.8	1.4	
1 1/4"	1 1/4"	1 1/4"	4.2	1.75	7"

6560 & 6570

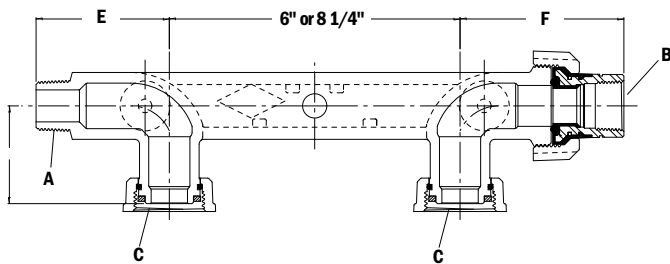
Integral MNPT Inlet & Outlet | Cast Integral Swivels



A	B	C	D	E	F	Centerline
1"	1"	20LT	2.2	2.75	2.19	6"
1"	1"	10LT	2.0	2.75	2.19	
1"	1"	20LT	2.17	3.5	2.5	8 1/4"
1 1/4"	1 1/4"	30LT	2.2	3.5	2.5	



Series	Centerline	
6560-M	6"	- MNPT x MNPT
6570-M	8 1/4"	



A	B	C	D	E	F	Centerline
1"	1"	20LT	2.2	2.5	3.6	6"
1"	1"	10LT	2.0	2.5	3.6	
1"	1"	20LT	2.17	3.5	4.0	8 1/4"
1 1/4"	1 1/4"	30LT	2.2	3.5	4.0	



Series	Centerline	
6560	6"	- MNPT x Union
6570	8 1/4"	

- For side taps, add letters. See page 16 & 17.
- For other options, see page 18.
- NOTE: All dimensions shown are for reference only. Contact factory if specific dimensional values or tolerances are required.
- Note: These bars are intended for use with natural, manufactured and L.P. gas only.



Typical Space - Saving Installation

FEATURES:

- **Strength** - Solid One Piece Cast Iron Construction
- **Accuracy** - Correct Meter Alignment Every Time
- **Time** - Ready to Install From Factory
- **Safety** - Fewer Leak Paths Connect Directly To Regulator
- **Space** - Compact Meter Sets
- Replaceable Meter Nuts

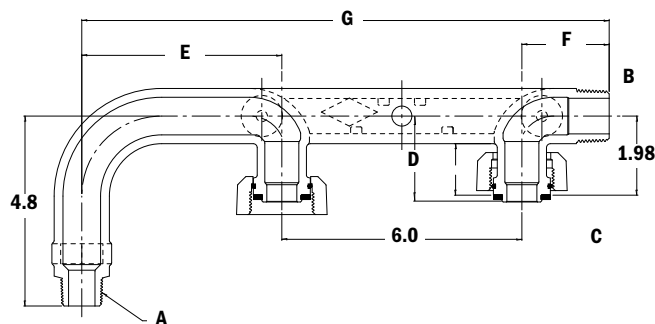
6569 Series

Integral MNPT Inlet & Outlet | Cast Integral Swivels

- 6569-M-- Integral MNPT



A	B	C	D	E	F	G
1"	1"	10LT	2.0	5.0	2.2	13.2
1"	1"	1A	2.2	5.0	2.2	13.2
1"	1"	20LT	2.2	5.0	2.2	13.2



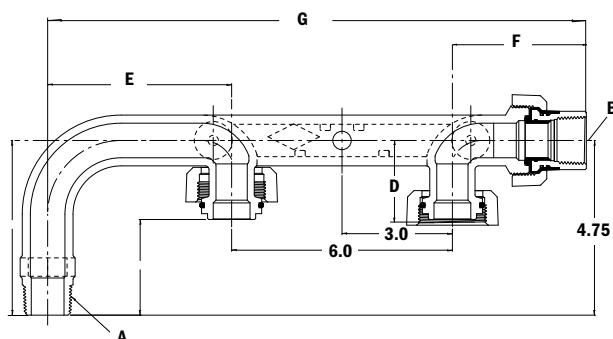
Integral MNPT Inlet & Union Outlet | Cast Integral Swivels

- 6569-C-- Female insulated O-ring union outlet

- 6569-F-- Female insulated flat gasket union outlet



A	B	C	D	E	F	G
1"	1"	10LT	2.0	5.0	3.6	14.6
1"	1"	1A	2.2	5.0	3.6	14.6
1"	1"	20LT	2.2	5.0	3.6	14.6



METER BARS

- For side taps, add letters. See page 16 & 17.
- For other options, see page 18.
- NOTE: All dimensions shown are for reference only. Contact factory if specific dimensional values or tolerances are required.
- Note: These bars are intended for use with natural, manufactured and L.P. gas only.

Typical Installation

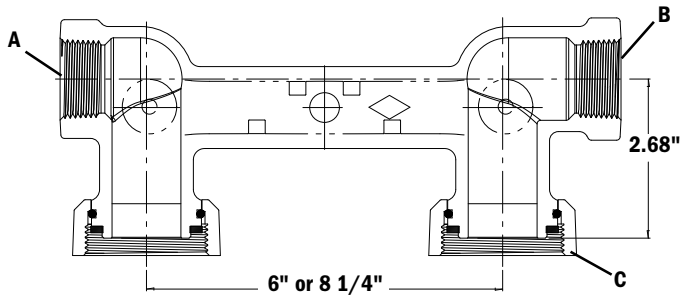
FEATURES:

- **Strength** - Solid One Piece Cast Iron Construction
- **Accuracy** - Correct Meter Alignment Every Time
- **Time** - Ready to Install From Factory Replaceable Meter Nuts
- **Safety** - Fewer Leak Paths Connect Directly To Regulator
- **Space** - Compact Meter Sets



6660 & 6670

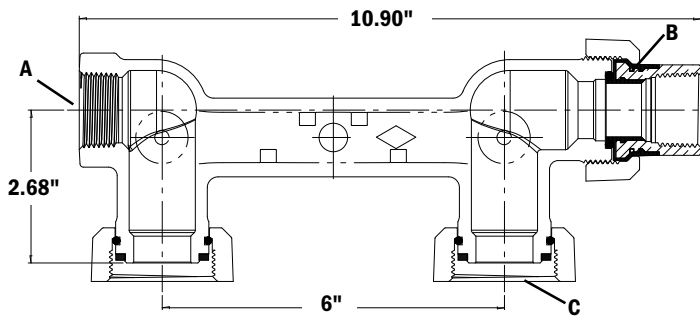
Horizontal Inlet & Outlet | Cast Integral Swivels



Series	A	B	C - Swivel Nut
6660	3/4" or 1"	3/4" or 1"	20LT or 30LT
6670	1" or 1 1/4"	1 1/4"	20LT or 30LT



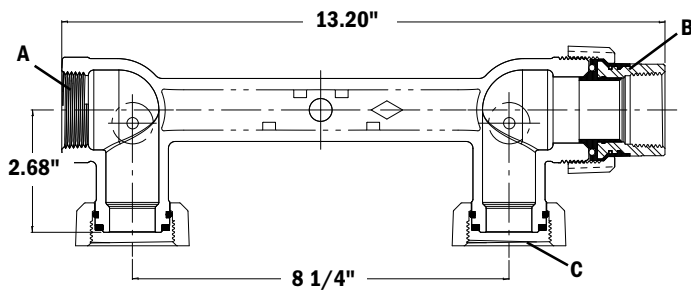
Series	Centerline	- FNPT x FNPT
6660-B	6"	
6670-B	8 1/4"	



Series	A	B	C - Swivel Nut
6660	3/4" or 1"	3/4" or 1"	20LT or 30LT



Series	Centerline	- FNPT x Union Outlet
6660	6"	



Series	A	B	C - Swivel Nut
6670	1" or 1 1/4"	1 1/4"*	20LT or 30LT

* Only Insulated O-Ring
Union Available



Series	Centerline	- FNPT x Union Outlet
6670	8 1/4"	

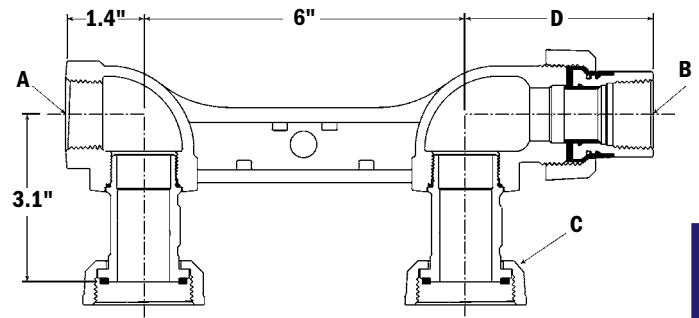
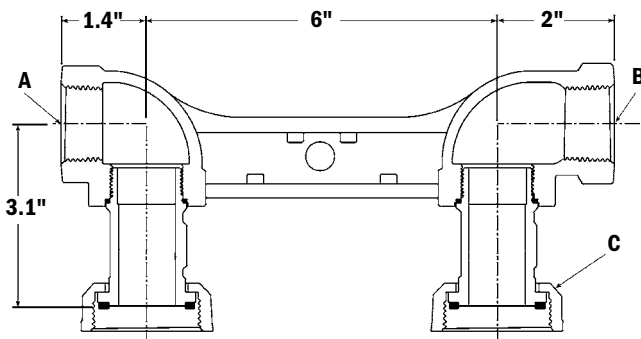
- For side taps, add letters. See page 16 & 17. - For other options, see page 18.
- NOTE: All dimensions shown are for reference only. Contact factory if specific dimensional values or tolerances are required.
- Note: These bars are intended for use with natural, manufactured and L.P. gas only.

6620 Series

Horizontal Inlet & Outlet | Integral Swivels

- 6620-B-- Integral FNPT Outlet
- 6620-M-- Integral MNPT Outlet
- 6" Centerline

- 6620-C-- Female insulated o-ring union outlet
- 6620-F-- Female insulated flat gasket union outlet
- 6620-S-- Female non-insulated o-ring union outlet
- 6620-U-- Female non-insulated flat gasket union outlet
- 6" Centerline



A	B	C - Swivel Nut	D
3/4"	3/4"	10LT, 1A, 20LT, or OEM	3.3"
1"	1"	10LT, 1A, 20LT, or OEM	3.4"
3/4"	1"	10LT, 1A, 20LT, or OEM	3.4"
1"	3/4"	10LT, 1A, 20LT, or OEM	3.3"

- For side taps, add letters. See page 16 & 17.
- For other options, see page 18.
- NOTE: All dimensions shown are for reference only. Contact factory if specific dimensional values or tolerances are required.
- Note: These bars are intended for use with natural, manufactured and L.P. gas only.

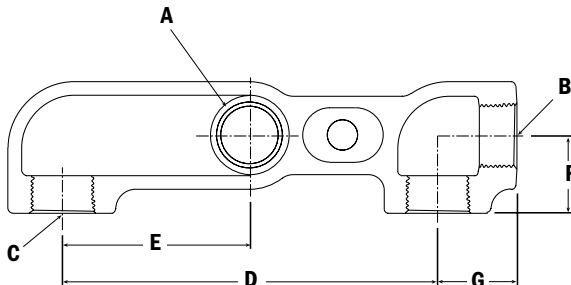
METER BARS



6613 & 6643 Series

Back Inlet & Horizontal Outlet

- 6613-B-- Integral FNPT
- 6" Centerline
- 6643-B-- Integral FNPT
- 7" Centerline



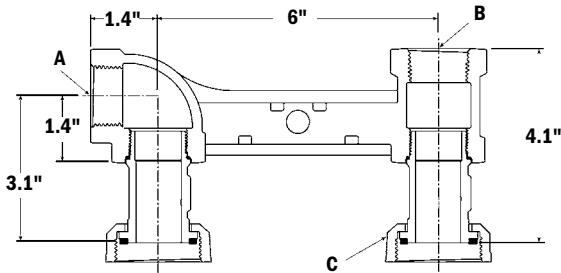
Model	A	B	C	D	E	F	G
6613-B	3/4"	3/4"	3/4"	6.00	3.00	1.25	1.28
6643-B	1 1/4"	1 1/4"	1 1/4"	7.00	3.50	1.62	1.75

Note: These bars are intended for use with natural, manufactured and L.P. gas only.

6624 Series

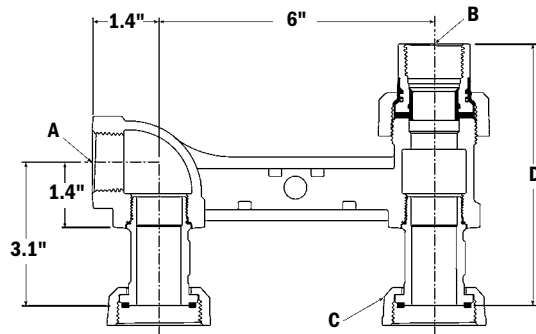
Horizontal Inlet & Vertical Outlet | Integral Swivels

- 6624-B-- Integral FNPT Outlet
- 6" Centerline



A	B	C - Swivel Nut	D
3/4"	3/4"	10LT, 1A, 20LT, or OEM	5.7"
1"	1"	10LT, 1A, 20LT, or OEM	5.8"
3/4"	1"	10LT, 1A, 20LT, or OEM	5.8"
1"	3/4"	10LT, 1A, 20LT, or OEM	5.7"

- 6624-C-- Female insulated o-ring union outlet
- 6624-F-- Female insulated flat gasket union outlet
- 6624-S-- Female non-insulated o-ring union outlet
- 6624-U-- Female non-insulated flat gasket union outlet
- 6" Centerline



- For side taps, add letters. See page 16 & 17. - For other options, see page 18.
- NOTE: All dimensions shown are for reference only. Contact factory if specific dimensional values or tolerances are required.
- Note: These bars are intended for use with natural, manufactured and L.P. gas only.

METER BARS

Follow Us & Subscribe

For the latest industry news, product information and exclusive promotions - follow us on YouTube or subscribe to A.Y. Alerts!

To subscribe to our YouTube channel, go to youtube.com/aymcdonaldmfg.

To sign up to A.Y. Alerts, contact your Territory Manager, call 1-800-AYCARES, or visit us at aymcdonald.com/AY_Alerts_Newsletter.html.



Meter Connections

Tony talks about HPG meter connections.

01 Min 34 Sec



Meter Bypass Bars and Valves

Tony talks about the different lines A.Y. McDonald has to offer.

02 Min 21 Sec



How to Purge Properly

Tony talks about the proper way to purge a gas valve.

02 Min 54 Sec



Assembling Valves into Piping Systems

Tony talks about assembling valves into HPG piping systems.

02 Min 43 Sec



Re-Lubrication of Plug Style Meter Stops

Tony Althaus walks you through the tools and steps needed in the process of re-lubricating our lubricated plug style meter valves.

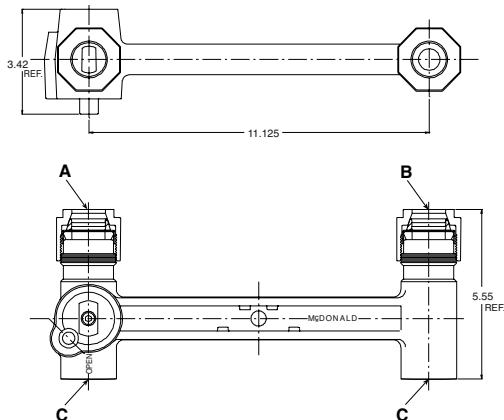
02 Min 21 Sec

6758 Series - Integral Valve

High Security Lock Design Integral Valve | Vertical Compression Inlet & Outlet



- 6758-A-- Compression steel pipe union inlet & Outlet.
- 11 1/8" Centerline
- With Relube Valve - This A.Y. McDonald Gas Valve may be re-lubricated in the full open or the full closed position when the valve is pressurized or un-pressurized. See page 9.
- For side taps, add letters. see page 17 & 18.
- For other options, see page 18.
- NOTE: All dimensions shown are for reference only. Contact factory if specific dimensional values or tolerances are required.
- Note: These bars are intended for use with natural, manufactured and L.P. gas only.



A	B	C
3/4"	3/4"	1/2"
3/4"	3/4"	3/4"

NOTE: All dimensions shown are for reference only. Contact factory if specific dimensional values or tolerances are required.

WE MAKE

Terry Davis
Operator
12 Years of Service
Albia, IA

INNOVATION WORK

The game has changed when it comes to industrial meter change-outs. Meet our 6480 Series Industrial Bypass Meter—the only gas meter that allows you to change out meters without interrupting service. Making life for you and your customers that much easier.

Visit AYMcDonald.com or call 1.800.292.2737 to learn how our Bypass Meter Bar products can work for you.



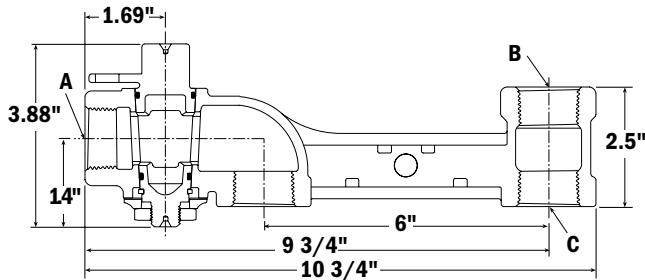
More than a brand. We're a family.

METER BARS WITH VALVES

6814 Series

Horizontal Inlet with Integral 1" Valve & Vertical Outlet

- 6814-B-- Integral FNPT outlet
- 6" Centerline

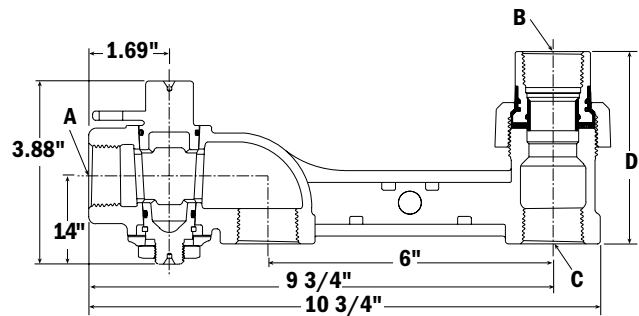


A	B	C	D	A	B	C	D
3/4"	3/4"	3/4"	4.0	1"	1"	3/4"	4.1
1"	1"	1"	4.1	3/4"	1"	1"	4.1
3/4"	1"	3/4"	4.1	1"	3/4"	3/4"	4.0

*Using 1x3/4 tailpipe with special model no. Contact factory.

Horizontal Inlet with Integral 1" Valve & Vertical Outlet with Union

- 6814-C-- Female insulated o-ring union outlet
- 6814-F-- Female insulated flat gasket union outlet
- 6814-S-- Female non-insulated o-ring union outlet
- 6814-U-- Female non-insulated flat gasket union outlet
- 6" Centerline

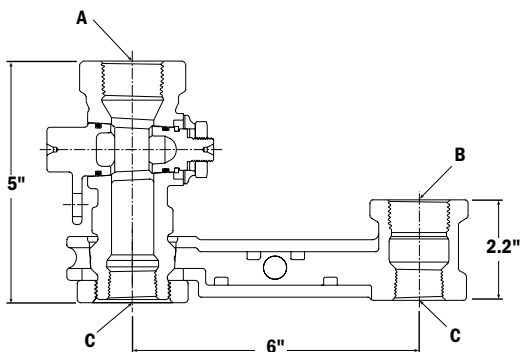
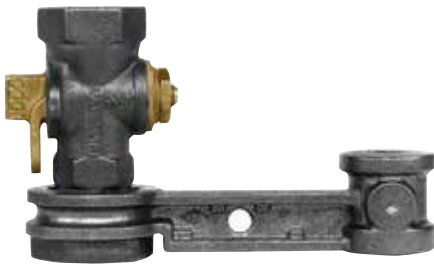


Note: These bars are intended for use with natural, manufactured and L.P. gas only.

6918 Series

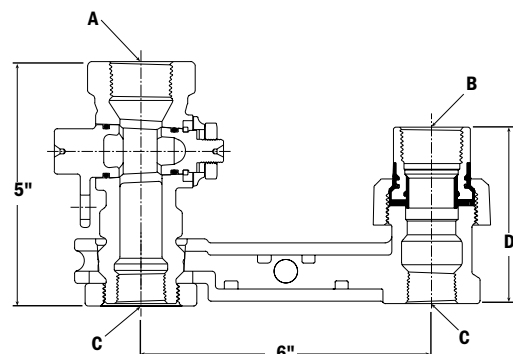
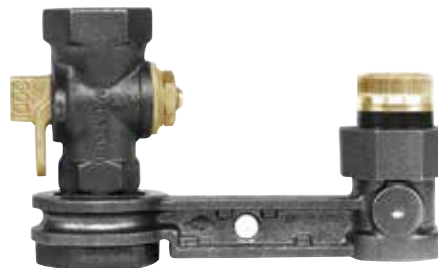
Vertical Inlet with 3/4" Sleeved Union Valve & Vertical Outlet

- 6918-B-- Integral FNPT outlet
- 6" Centerline



A	B	C	D
1"	3/4"	3/4"	3.5
1"	1"	3/4"	3.7

- 6918-C-- Female insulated o-ring union outlet
- 6918-F-- Female insulated flat gasket union outlet
- 6918-S-- Female non-insulated o-ring union outlet
- 6918-U-- Female non-insulated flat gasket union outlet
- 6" Centerline



- For side taps, add letters. See page 16 & 17.
- For other options, see page 18.
- NOTE: All dimensions shown are for reference only. Contact factory if specific dimensional values or tolerances are required.
- Note: These bars are intended for use with natural, manufactured and L.P. gas only.

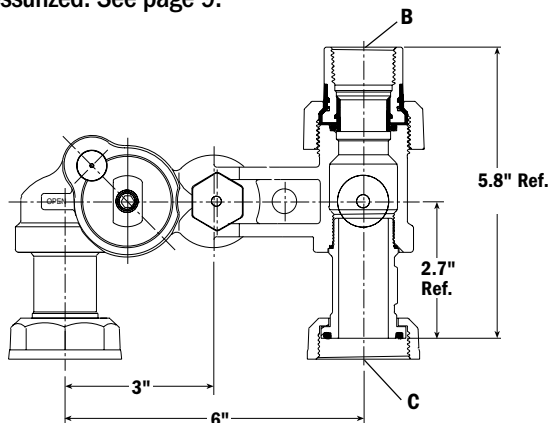
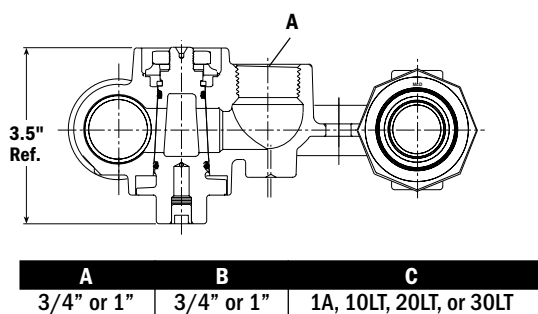
METER BARS WITH VALVES

6722 Series - Multiple Meter Application

High Security Lock Design Integral Valve | Rear Center Horizontal Inlet & Vertical Outlet



- 6722-C-- Female insulated o-ring union outlet
- 6722-F-- Female insulated flat gasket union outlet
- 6722-S-- Female non-insulated o-ring union outlet
- 6722-U-- Female non-insulated flat gasket union outlet
- For CMMC multiple meter manifold applications
- *3/4" outlet obtained with reducing endpiece
- 6" Centerline
- **With Relube Valve** - This A.Y. McDonald Gas Valve may be re-lubricated in the full open or the full closed position when the valve is pressurized or un-pressurized. See page 9.



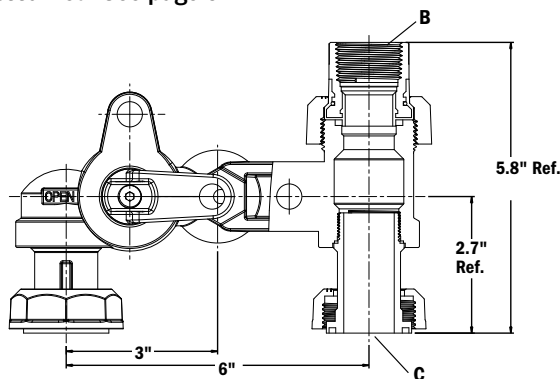
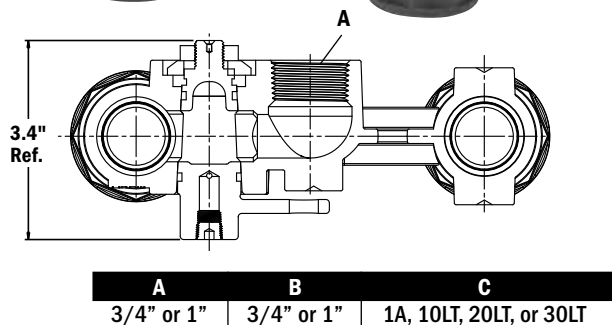
Note: These bars are intended for use with natural, manufactured and L.P. gas only.

6722L Series - Multiple Meter Application

Standard Lockwing Design Integral Valve | Rear Center Horizontal Inlet & Vertical Outlet



- For CMMC multiple meter manifold applications
- *3/4" outlet obtained with reducing endpiece
- 6" Centerline
- **With Relube Valve** - This A.Y. McDonald Gas Valve may be re-lubricated in the full open or the full closed position when the valve is pressurized or un-pressurized. See page 9.



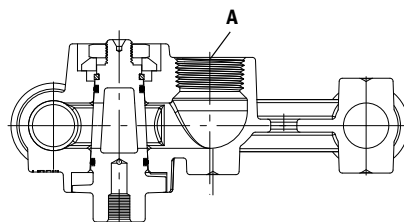
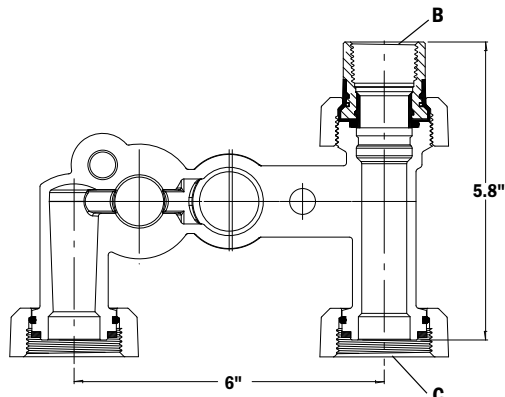
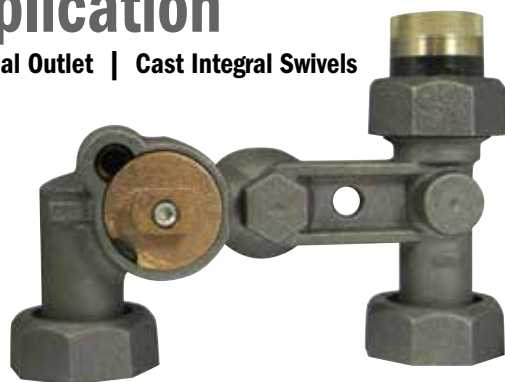
- For side taps, add letters. See page 16 & 17. - For other options, see page 18.
- NOTE: All dimensions shown are for reference only. Contact factory if specific dimensional values or tolerances are required.
- Note: These bars are intended for use with natural, manufactured and L.P. gas only.

METER BARS WITH VALVES

6762 Series - Multiple Meter Application

High Security Lock Design Integral Valve | Rear Center Horizontal Inlet & Vertical Outlet | Cast Integral Swivels

- For CMMC multiple meter manifold applications
- *3/4" outlet obtained with reducing endpiece
- 6" Centerline
- **With Relube Valve** - This A.Y. McDonald Gas Valve may be re-lubricated in the full open or the full closed position when the valve is pressurized or un-pressurized. See page 9.
- **Note:** These bars are intended for use with natural, manufactured and L.P. gas only.

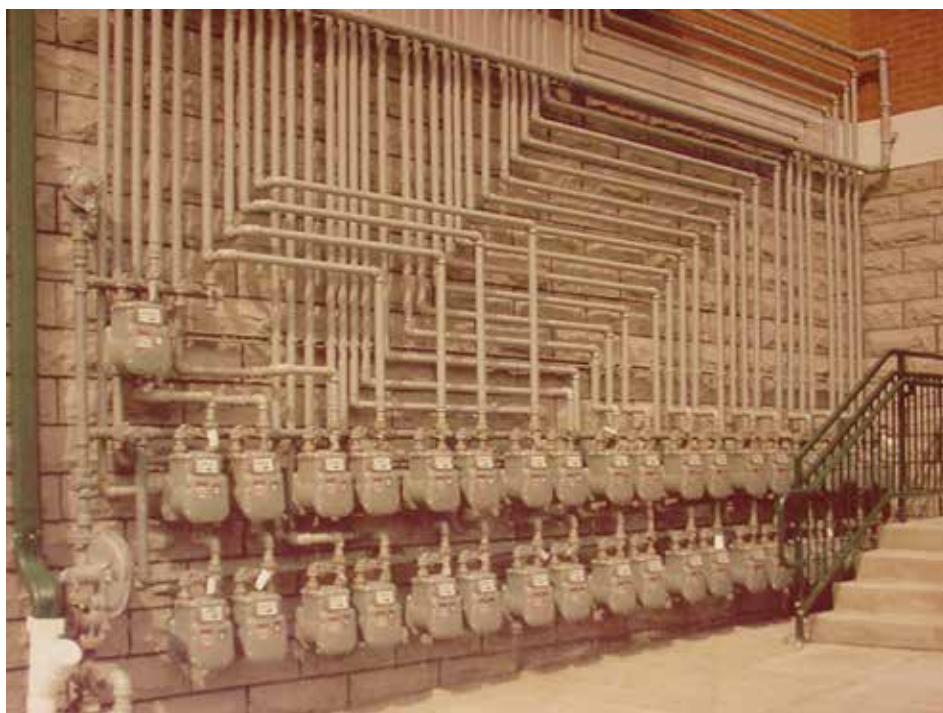


A	B	C
3/4" or 1"	3/4" or 1"	1A, 20LT

Typical Installation

Multiple Meter Manifolds

METER BARS WITH VALVES

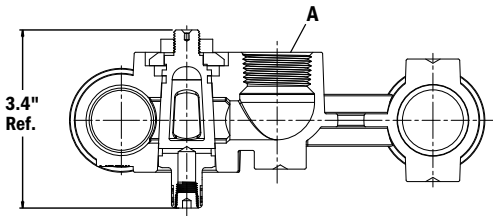


6712L Series - Multiple Meter Application

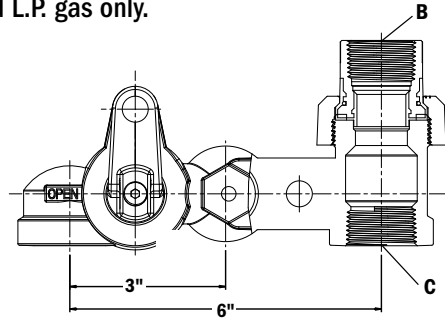
Standard Lockwing Integral Valve | Rear Center Horizontal Inlet & Vertical Outlet | No Swivels Attached



- 6712LC-- Female insulated o-ring union outlet
- 6" Centerline
- *3/4" outlet obtained with reducing endpiece
- With Relube Valve - This A.Y. McDonald Gas Valve may be re-lubricated in the full open or the full closed position when the valve is pressurized or un-pressurized. See page 9.
- Note: These bars are intended for use with natural, manufactured and L.P. gas only.

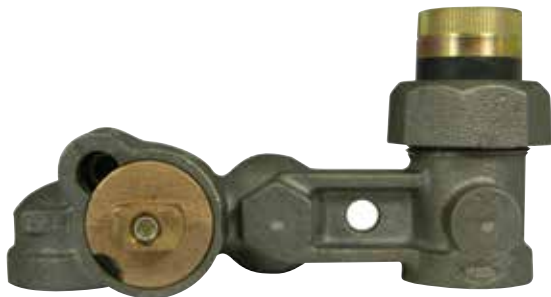


A **B** **C**
 3/4" or 1" | 3/4" or 1" | 3/4" or 1"

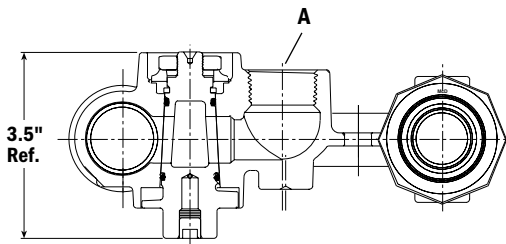


6712 Series - Multiple Meter Application

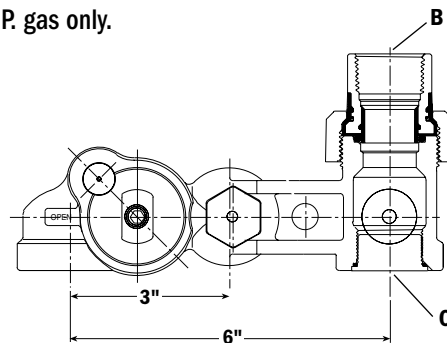
High Security Lock Design Integral Valve | Rear Center Horizontal Inlet & Vertical Outlet | No Swivels Attached



- 6712-C-- Female insulated o-ring union outlet
- 6" Centerline
- *3/4" outlet obtained with reducing endpiece
- With Relube Valve - This A.Y. McDonald Gas Valve may be re-lubricated in the full open or the full closed position when the valve is pressurized or un-pressurized. See page 9.
- Note: These bars are intended for use with natural, manufactured and L.P. gas only.



A **B** **C**
 3/4" or 1" | 3/4" or 1" | 3/4" or 1"

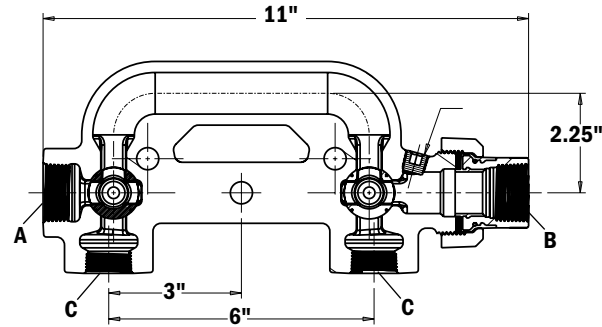
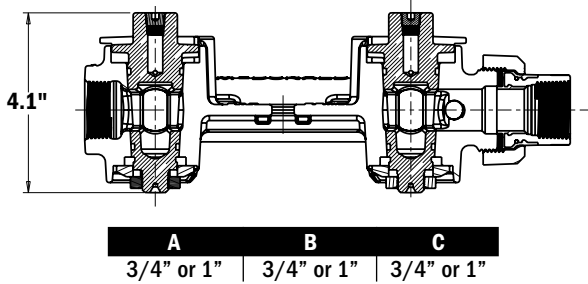


METER BARS WITH VALVES

6410 Series - Residential Meter Application

High Security Lock Design | Horizontal Inlet & Outlet | By-Pass Meter Bar - 2 Integral Valves | No Swivels Attached

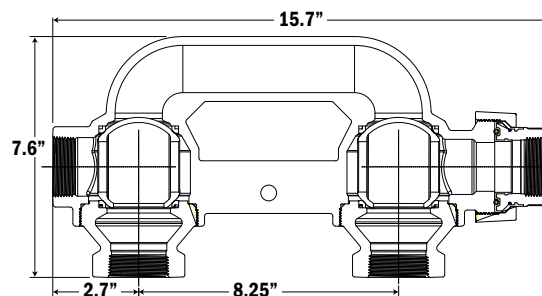
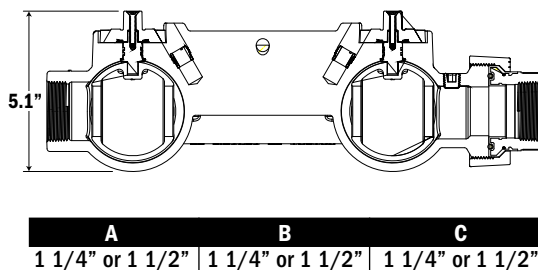
- 6410-C-- Female insulated o-ring union outlet
- 6410-F-- Female insulated flat gasket union outlet
- 6" Centerline
- With Relube Valve - The valves in this A.Y. McDonald bar may be re-lubricated in the full open or full closed position when the valve is pressurized or un-pressurized. See page 9.
- 5 PSIG rated.
- Note: These bars are intended for use with natural, manufactured and L.P. gas only.



6480 Series - Industrial Bypass Meter Bar

High Security Lock Design | Horizontal Inlet & Outlet | By-Pass Meter Bar - 2 Integral Valves | No Swivels Attached

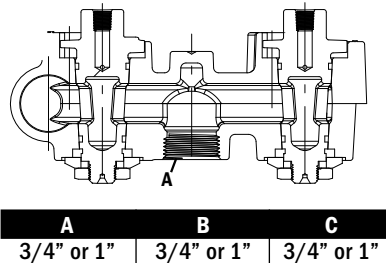
- 6480-C-- Female insulated o-ring union outlet
- 6480G---
- 8.25" Centerline
- Maximum Flow in Bypass Mode
- 1 1/4" or 1 1/2" End Connections (With Insulated Union Outlet)
- 25 PSIG rated.
- Note: These bars are intended for use with natural, manufactured and L.P. gas only.



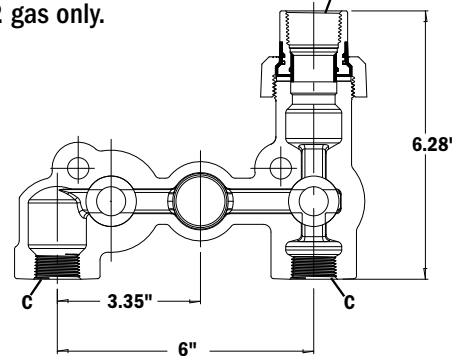
BYPASS METER BARS

6312 Series - Multiple Meter Application

High Security Lock Design | Rear Center Inlet & Vertical Outlet | By-Pass Meter Bar - 2 Integral Valves | No Swivels Attached



- 6312-C-- Female insulated o-ring union outlet
- 6312-F-- Female insulated flat gasket union outlet
- 6" Centerline
- **With Relube Valve** - The valves in this A.Y. McDonald bar may be re-lubricated in the full open or the full closed position when the valve is pressurized or un-pressurized. See page 9.
- For other by-pass valve options see pages 15 & 16.
- 5 PSIG rated.
- **Note:** These bars are intended for use with natural, manufactured and L.P. gas only.



6312 Multiple Meter Manifold By-Pass Bar



See our video on website for operation of the By-Pass meter bar.

6410 Residential / 6480 Industrial By-Pass Meter Bar



See our video on website for operation of the By-Pass meter bar.

IT'S ABOUT TIME!

By-Pass Systems that Make Sense.

Full Flow Even in By-Pass Mode

- No interruption in service or reduction in flow capacity.
- No loss of pilot lights.
- Scheduling, re-lights, and associated cost are a thing of the past.
- Meter change-outs can be performed anytime, 12 months a year.

Safe - Fast - Secure

- No need for additional hoses, regulators, bottles, or any special tools.
- Your gas supply is always ready & regulated to the correct pressure.
- A few turns of the valves and your by-pass is complete.
- Industry proven locking design for theft protection.
- Performance testing proven at **gti.**

BYPASS METER BARS

It is about time, and time is money.
If you want a real return on your investment \$\$, call us today for more information.

Meter Nuts

Meter Nuts are used to connect straight and/or offset swivel gas fittings to the gas meter. Manufactured per ANSI B109.1.



BLACK PART NO.	SIZE	THREADS PER INCH	I.D. DIM. IN INCHES	GALVANIZED PART NO.	BLACK PART NO.	SIZE	THREADS PER INCH	I.D. DIM. IN INCHES	GALVANIZED PART NO.
4815-671	5LT	12	0.880"	4815-673	4815-566	45LT	11 1/2	1.94"	4815-576
4815-501	10LT	11 1/2	1.16"	4815-517	4815-848	2A	11 1/2	1.67"	4815-850
4815-507	20LT	11 1/2	1.42"	4815-523	4815-624	3A / 4A	11 1/2	2.02"	4815-626
4815-543	30LT	11 1/2	1.69"	4815-557	4815-830	60LT	11 1/2	1.94"	4815-832
4815-513	1A	12	1.34"	4815-529	4815-806	5A	8	2.97"	4815-808
4815-564	0 EMCO	11 1/2	1.34"	4815-574	4815-700	100LT	11	2.438"	4815-702

Meter Plugs

Meter Plugs are used to prevent the unintentional flow of gas from meter sets without meters attached. They also prevent insects and other foreign material from entering the gas piping. They are available as shown, or can be supplied with 1/8" or 1/4" pipe taps (see Block 8, page 18) in the center of the hex, with or without standard pipe plugs.



PART NO.	SIZE	THREADS PER INCH
4815-836	5LT	12
4820-181	10LT	11 1/2
4820-180	#1A*	12
4820-182	20LT	11 1/2
4815-663	30LT	11 1/2
4815-665	45LT	11 1/2

Gaskets for Swivels

Gaskets are used to seal malleable iron offset or straight fittings on the face of the gas meter when tightening the swivel nut on meter thread or meter nut plug. These rubber gaskets made of Buna-N or neoprene are resistant to the action of natural and manufactured gases. The inside diameter is intended to lightly grip the pilot O.D. of the fitting to minimize problems during assembly of the swivel nut to the meter.



PKG. PART NO.	SIZE	I.D. DIM. INCHES	O.D. DIM. INCHES	THICKNESS	PKG. QTY.
4820-197	5LT	.72	.94	.109	100
4820-184	10LT	.968	1.251	.109	100
4820-185	Sprague #1A and 0 Emco	.968	1.406	.109	100
4820-186	20LT	1.290	1.625	.109	100
4820-187	30LT	1.468	1.875	.109	50

PKG. PART NO.	SIZE	I.D. DIM. INCHES	O.D. DIM. INCHES	THICKNESS	PKG. QTY.
4820-188	45LT	1.672	2.094	.109	50
4820-193	2A	1.118	1.718	.109	50
4820-190	3A / 4A	1.47	2.13	.109	50
4820-191	5A	2.295	3.232	.109	50
4820-192	60LT	1.88	2.29	.109	50

6300 - 3 Part Union

3 Part Unions are designed to prevent electrolysis or other corrosive action in 3/4" through 2" gas service lines. They are resistant to most chemical substances, including gas, water and petroleum oils at normal temperatures. Meets ANSI B1.20.1 standards.

- 150 PSIG
- All have female NPT headpiece
- Sizes Available 3/4", 1", 1 1/4", 1 1/2", or 2"



MODEL NUMBERS	
6300	Female insulated o-ring union outlet - Black
6301	Female insulated flat gasket union outlet - Black
6310	Male insulated o-ring union outlet - Black
6311	Male insulated flat gasket union outlet - Black

Repair Unions

- Union Nut
- Insulated End Piece
- O-Ring or Flat Gasket
- Sizes Available 3/4", 1"



MODEL NUMBERS	
6276GR	Female insulated o-ring outlet - Zinc
6300R	Female insulated o-ring outlet
6300GR	Female insulated o-ring outlet - Zinc
6301R	Female insulated flat gasket outlet
6301GR	Female insulated flat gasket outlet - Zinc
6310R	Male insulated o-ring outlet
6311R	Male insulated flat gasket outlet

Swivels - Non Insulated are used with meter nuts to connect to gas meter. Manufactured per ANSI B109.1.

	DESCRIPTION	BLACK	GALVANIZED	LENGTH	THREAD SIZE	WT.	BOX QTY
5LT	5LT Straight	4815-726	4815-728	2 1/8"	1/2" MNPT	0.18	200
	5LT 3/8" Offset	4815-667	4815-669	2 1/8"	1/2" MNPT	0.17	100
	5LT 1 1/4" Offset	4815-822	4815-824	3"	1/2" MNPT	0.23	100
10LT	10LT Straight	4815-503	4815-519	2 5/16"	3/4" MNPT	0.29	100
	10LT 1/2" Offset	4815-802	4815-804	2 5/16"	3/4" MNPT	0.25	100
	10LT 1" Offset	4815-505	4815-521	3 1/8"	3/4" MNPT	0.39	100
	10-5LT 3/4" Offset	4815-704	4815-706	3"	1/2" MNPT	0.43	100
	10LT 1 1/4" Offset	4815-675	4815-677	3 1/4"	3/4" MNPT	0.44	100
	10LT 3 15/16" Offset	4815-818	4815-820	4 1/8"	3/4" MNPT	0.57	40
	10-5LT 3" Offset	4815-679	4815-681	4"	1/2" MNPT	0.59	50
	10LT Elbow	4815-738	4815-740		3/4" MNPT	0.42	100
1A	1A Straight	4815-537	4815-551	2 1/8"	3/4" MNPT	0.33	100
	1A Straight	4815-539	4815-553	2 13/32"	1" MNPT	0.37	100
	1A 1" Offset	4815-515	4815-531	2 11/16"	3/4" MNPT	0.39	100
	1A Spud	4815-535	4815-549	1 1/8"	3/4" FNPT	0.18	200
20LT	20LT Straight	4815-509	4815-525	2 3/4"	1" MNPT	0.47	100
	20LT Straight	4815-863	4815-864	4"	1" MNPT	0.57	50
	20LT 1" Offset	4815-511	4815-527	3 1/2"	1" MNPT	0.57	100
	20LT 1 1/4" Offset	4815-584	4815-586	3 25/32"	1" MNPT	0.68	50
	20-10LT 1 5/8" Offset	4815-683	4815-685	3 3/4"	3/4" MNPT	0.62	50
	20-5LT 3" Offset	4815-541	4815-555	3 1/2"	1/2" MNPT	0.67	50
	20-10LT 3 5/8" Offset	4815-712	4815-714	3 1/2"	3/4" MNPT	0.87	50
	20-10LT Straight	4815-730	4815-732	2 3/8"	3/4" MNPT	0.42	100
	20-10LT Elbow	4815-814	4815-816		3/4" MNPT	0.45	50
20LT Elbow	4815-691	4815-693		1" MNPT	0.66	50	
30LT	30LT Straight	4815-545	4815-559	2 29/32"	1 1/4" MNPT	0.60	50
	30LT Straight	4815-867	4815-868	2 1/2"	1 1/4" MNPT	0.40	80
	30LT 1" Offset	4815-547	4815-561	3 3/4"	1 1/4" MNPT	0.84	50
	30LT 1 1/2" Offset	4815-871	4815-872	3 3/4"	1 1/4" MNPT	0.73	50
	30-20LT Straight	4815-687	4815-689	2 27/32"	1" MNPT	0.50	100
	30-20LT 1 1/4" Offset	4815-616	4815-618	3 25/32"	1" MNPT	0.78	50
	30-10LT 3" Offset	4815-840	4815-842	4"	3/4" MNPT	0.70	40
	30LT Elbow	4815-875	4815-876		1 1/4" MNPT	0.69	40
45LT	45LT Straight	4815-568	4815-578	2 15/16"	1 1/2" MNPT	0.75	50
	45LT 1" Offset	4815-570	4815-580	4"	1 1/2" MNPT	1.05	50
	45LT 4 1/2" Offset	4815-902	4815-906	8 1/2"	1 1/2" MNPT	2.58	12
	45LT 1 5/8" Offset	4815-911	4815-912	3 3/4"	1 1/2" MNPT	1.16	25
	45LT 2 1/2" Offset	4815-572	4815-582	5 1/2"	1 1/2" MNPT	1.51	25
	45-30LT Straight	4815-734	4815-736	3 7/8"	1 1/4" MNPT	1.02	50
45-30LT 1 5/8" Offset	4815-852	4815-854	4"	1 1/4" MNPT	0.86	30	
2A	#2 Straight	4815-844	4815-846	3 1/8"	1 1/4" MNPT	0.56	50
3A/4A	#3/#4 Straight	4815-856	4815-857	3 1/8"	1 1/2" MNPT	0.80	50
	#3/#4 4 1/2" Offset	4815-904	4815-908	8 9/16"	1 1/2" MNPT	2.72	12
60LT	60LT Straight	4815-826	4815-828	2 7/8"	1 1/2" MNPT	0.74	40
	60LT 1" Offset	4815-879	4815-880	5 3/8"	1 1/2" MNPT	1.20	25
	60LT 4 1/2" Offset	4815-884	4815-886	8 3/4"	1 1/2" MNPT	2.64	12
5A	5A Straight	4815-810	4815-812	2 1/8"	2" FNPT	1.20	25
100LT	100LT Straight	4815-696	4815-698	3 3/4"	2" MNPT	1.51	40



See Next Page for Insulated Styles

Insulated Swivels & Adapters



1A

Swivels - Insulated are used with meter nuts to connect to gas meter. Manufactured per ANSI B109.1.

DESCRIPTION	ZINC	LENGTH	THREAD SIZE	WT.	BOX QTY
1A Spud	4815-723	1"	3/4" FNPT	0.16	144
1A Straight	4815-755	2 3/8"	3/4" MNPT	0.24	72
1A Straight	4815-760	2 3/8"	1" MNPT	0.31	72
1A 1" Offset	4815-765	2 3/4"	3/4" MNPT	0.34	72



20LT

20LT Straight	4815-746	2 3/4"	1" MNPT	0.45	72
20LT 1 1/4" Offset	4815-748	3 11/16"	1" MNPT	0.60	30
20-10LT Straight	4815-774	2 3/8"	3/4" MNPT	0.34	72
20-10LT Spud	4815-779	1 1/4"	3/4" FNPT	0.20	144



30LT

30LT Straight	4815-796	3"	1 1/4" MNPT	0.54	50
30LT 1" Offset	4815-791	3 1/2"	1 1/4" MNPT	0.76	30
30-20LT Straight	4815-786	2 7/8"	1" MNPT	0.46	72

45LT

45LT Straight (BMI)*	4815-882	2 15/16"	1 1/2" MNPT	0.63	50
----------------------	----------	----------	-------------	------	----

All insulated swivels are zinc plated for corrosion protection. The zinc is applied after machining so the threads are also protected. *45LT size available only black

Meter Adapters

The **McDonald Meter Adapters** are used to efficiently convert from one meter size to another. Each adapter comes with a flat gasket seal on the female end. In addition, each fitting is zinc plated for corrosion protection. The zinc is applied after machining so the threads are also protected.



If you are converting meter sizes in your system, consider these fittings for a cost effective approach.

Manufactured per ANSI B109.1.

Part #	Male Meter Thread (converting from)	Female Meter Thread (converting to)	WT.	Box Qty
4820-006	1A	20LT	0.54	50
4820-007	10LT	20LT	0.60	50
4820-008	1A	10LT	0.36	50
4820-011	30LT	20LT	0.55	40
4820-013	10LT	1A	0.36	50

Tess Rowe
13 Years of
Service
Albia, IA



CONTROLLING PROVISIONS: These terms and conditions supersede all previous terms and conditions and shall control any sale by A.Y. McDonald Mfg. Co. ("Seller"). No alteration or waiver of these terms and conditions shall be valid unless specifically accepted in writing by an authorized representative of Seller.

PRICES: Billing prices are those in effect at the time the order is shipped. All prices are subject to change without notice. Possession of a price sheet shall not be construed as an offer to sell. Seller reserves the right to reject any order.

TERMS: 2% 10th Prox., Net 25th (A 2% cash discount can be taken on the 10th of the month following the shipment. The month is defined as the 26th through the 25th. For example, a February 25th invoice is due 2% on March 10th, a February 26th invoice is due 2% April 10th, and all invoices are due net the 11th and considered past due on the 26th of the month). Without open credit terms, payment may be required prior to shipping. A 2% monthly service charge (or the maximum amount permitted by law) may be applied to the balance of any past-due invoice. Buyer shall pay any necessary collection fees, including reasonable attorney fees.

TAXES: Any sales tax, use tax, manufacturer tax, duty, or other cost imposed by any government entity shall, at Seller's option, be added to the purchase price and payable by buyer. Buyer must certify any tax exemption and agree to indemnify Seller against any tax imposed contrary to such certification.

FREIGHT: All prices are F.O.B. Seller's factory, with full freight allowed within the contiguous United States and Canada on the orders that qualify pursuant to the Freight Program schedule. Seller reserves the right to select the carrier and route of shipment and to ship at the most economical rate. All extra charges for special handling or delivery services will be paid for by the buyer. Terms for shipment outside the contiguous United States and Canada shall be established on a case-by-case basis.

"LIMITED WARRANTY Subject to the limitations stated herein, A.Y. McDonald Mfg. Co. ("Seller") warrants that high pressure gas products manufactured by Seller shall be free from defects in material and workmanship and shall perform the services for which they are intended when properly installed, under normal use, and under ordinary conditions, for a period of ninety (90) days from the date of shipment from Seller's factory. This Limited Warranty does not cover or apply to water service products, plumbing products, or pumps or pump accessories manufactured by Seller. Buyer must notify Seller in writing of a potentially defective product as soon as possible and not later than ninety (90) days from the date of shipment from Seller's factory. Upon receipt of such notice, Seller shall, at its option and at its expense, examine such product at Seller's factory or such other location as Seller shall determine. Should Seller agree to a return of the product, buyer shall follow in every respect the packaging and transportation instructions provided by Seller. In no case shall a product be returned without first obtaining the permission of Seller. If a product is proven to the satisfaction of Seller to be defective, then Seller shall, at its option and at its expense, repair or replace such product or reimburse buyer for the price paid by buyer for such product. The cost of shipping to buyer a repaired or replaced product shall be paid by Seller on the same shipping terms as the original shipment of such product to buyer. Except as stated herein, buyer shall assume all responsibility and expense for any dismantling, removal, reinstallation, and shipping in connection with this Limited Warranty, and no claims will be allowed for labor, shipping, materials, or other costs incident to the repair, replacement, or return of a product.

THIS LIMITED WARRANTY IS THE ONLY WARRANTY PROVIDED BY SELLER AND IS MADE IN LIEU OF ALL OTHER WARRANTIES, EXPRESS OR IMPLIED, INCLUDING BUT NOT LIMITED TO THE IMPLIED WARRANTIES OF MERCHANTABILITY AND FITNESS FOR A PARTICULAR PURPOSE.

SELLER'S LIABILITY IS LIMITED TO REPAIR, REPLACEMENT, OR REIMBURSEMENT AS PROVIDED ABOVE, AND IN NO EVENT SHALL SELLER'S LIABILITY EXCEED THE PURCHASE PRICE OF THE PRODUCT(S) INVOLVED. THIS LIMITED WARRANTY PROVIDES THE EXCLUSIVE REMEDY AGAINST SELLER FOR CLAIMS RELATING TO PRODUCTS, WHETHER IN CONTRACT, IN TORT (INCLUDING NEGLIGENCE), OR UNDER ANY OTHER LEGAL THEORY, AND WHETHER ARISING OUT OF WARRANTIES, REPRESENTATIONS, INSTRUCTIONS, OR DEFECTS FROM ANY CAUSE. IN NO EVENT SHALL SELLER BE LIABLE FOR OR OBLIGATED TO PAY ANY CONSEQUENTIAL, INCIDENTAL, SPECIAL, INDIRECT, OR PUNITIVE DAMAGES OF ANY KIND.

THIS LIMITED WARRANTY EXTENDS ONLY TO BUYERS WHO PURCHASE SELLER'S PRODUCT(S) DIRECTLY FROM SELLER ("ORIGINAL PURCHASERS"), INCLUDING DISTRIBUTORS, WHOLESALERS, UTILITIES, AND CONTRACTORS. THIS LIMITED WARRANTY IS NOT ASSIGNABLE OR OTHERWISE TRANSFERABLE BY THE ORIGINAL PURCHASER TO ANY OTHER PARTY. SELLER EXTENDS NO WARRANTY, EXPRESS OR IMPLIED, INCLUDING BUT NOT LIMITED TO THE IMPLIED WARRANTIES OF MERCHANTABILITY AND FITNESS FOR A PARTICULAR PURPOSE, TO "CONSUMERS," AS THAT TERM IS DEFINED IN THE MAGNUSON-MOSS WARRANTY ACT (15 U.S.C. SECTIONS 2301 ET SEQ.) AND THE REGULATIONS PROMULGATED THEREUNDER. IN NO EVENT SHALL THE DURATION OF ANY IMPLIED WARRANTY OF MERCHANTABILITY OR FITNESS FOR A PARTICULAR PURPOSE BE LONGER THAN THE NINETY (90) DAY PERIOD PRESCRIBED HEREIN.

This Limited Warranty shall not apply to product failure or defect: due to a defect in the design, engineering, or installation of any water, gas, or other system; where the product has been modified without the prior written authority of Seller; caused by the failure to install or use the product in conformity with any instructions or specifications provided by Seller; caused by the improper installation, use, application, maintenance, repair, transportation, handling, or storage of the product; caused by the fault or negligence of anyone other than Seller or any other act or event beyond the control of Seller. Seller makes no warranties as to any products or product parts or components that are not manufactured by Seller. The limitations of liability contained in this Limited Warranty shall be effective without regard to Seller's performance or failure or delay of performance under any other term or condition of any trade customs, warranty, or other agreement. No employee, representative, or agent of Seller, nor any other person, has authority to assume or incur on behalf of Seller any liability, obligation, or responsibility in place of or in addition to this Limited Warranty."

CLAIMS: Inspect all shipments immediately upon receipt, examining products for damage and verifying quantity. Any claim of damage, shortage, or non-conformance must be made in writing within 5 business days of receipt of goods (any claim of damage or shortage must be noted on the Freight Carrier's signed delivery receipt).

ORDERS: Seller is not responsible for and shall not be held liable for damages resulting from delays or failures in shipment, nor shall Seller be liable for any delay or failure to provide goods where occasioned by any force majeure event, including without limitation: strikes and other labor disputes; fires; acts of God; floods, snowstorms, tornados, and other storms; unusually severe inclement weather conditions; fuel, energy, carrier, or material shortages or embargoes; war; terrorism; civil disturbances; acts of civil or military authority; court order or decree; partial or complete destruction of factory or other facility; acts of buyer; inability to obtain or retain fuel, energy, carriers, materials, facilities, or labor without litigation or the payment of penalties or unreasonable prices or the acceptance of unreasonable terms and conditions; and any other cause beyond Seller's control.

RETURNS: Goods cannot be returned without the prior written approval of Seller. Return freight must be prepaid by buyer. After inspecting the returned goods, Seller may impose upon buyer: (1) a handling and restocking charge equal to a minimum of 25% of the invoiced cost of the returned goods; and, in addition thereto, (2) any costs required to put the goods in like-new condition. All credit memos are subject to cash discount terms as defined in our standard terms.

CANCELLATION: The contract resulting from Seller's acceptance of Buyer's order cannot be cancelled, terminated, or modified by Buyer, in whole or in part, except upon Seller's prior written approval.

INVOICING: Minimum invoice charge of \$50.00 (does not apply to Plumbing Products).

NON-STOCK PRODUCTS: Non-stock products (i.e., customized or non-standard products) may require a minimum order and buyer should make prior inquiry to Seller. Once production has begun, orders for non-stock products cannot be cancelled without the prior written approval of Seller. Seller will not accept the return of non-stock products.

CONSTRUCTION: All sales, contracts, and offers to buy or sell, all rights, remedies and duties of all persons, and the construction and effect of all provisions hereof, shall be governed by and construed according to the laws of the State of Iowa.



WARNING: It is unlawful in CALIFORNIA & VERMONT (effective 1/1/2010); MARYLAND (effective 1/1/2012); LOUISIANA (effective 1/1/2013) and the UNITED STATES OF AMERICA (effective 1/4/2014) to use any product in the installation or repair of any public water system or any plumbing in a facility or system that provides water for human consumption if the wetted surface area of the product has a weighted average lead content greater than 0.25%. This prohibition does not extend to service saddles used in California, Louisiana or under USA Public Law 111-380.



A.Y. McDonald Mfg. Co. is a leading manufacturer of Water Works Brass, Plumbing Valves, Pumps and Water Systems, and High Pressure Gas Valves and Meter Bars. The Company has distinguished itself with a proud tradition of quality and reliability since its founding in 1856.

The mission of A.Y. McDonald Mfg. Co., in the words of our founder, is “to make good products and sell them honestly.” We, the stockholders and employees, accomplish this by extending the McDonald family culture through excellent customer service and by focusing on our customers’ needs.



WARNING: It is unlawful in CALIFORNIA & VERMONT (effective 1/1/2010); MARYLAND (effective 1/1/2012); LOUISIANA (effective 1/1/2013) and the UNITED STATES OF AMERICA (effective 1/4/2014) to use any product in the installation or repair of any public water system or any plumbing in a facility or system that provides water for human consumption if the wetted surface area of the product has a weighted average lead content greater than 0.25%. This prohibition does not extend to service saddles used in California, Louisiana or under USA Public Law 111-380.

