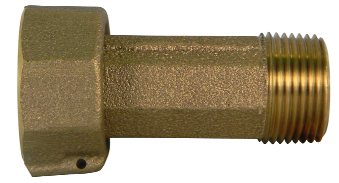


SUBMITTAL DATA SHEET

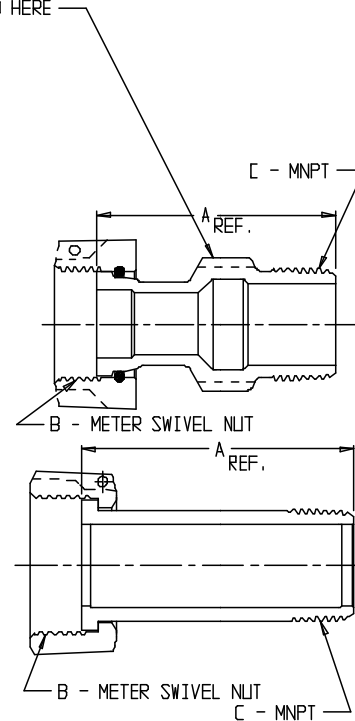
NL Meter Coupling - 74620

Meter Swivel Nut With Wire Seal Hole x MNPT



*NOTE: USE RETAINING RING AS PICTURED HERE

MODEL	SIZE	A	B	C
74620	5/8 X 1/2 X 2.38	2.38	5/8	1/2
74620*	5/8 X 3/4 X 2.19	2.19	5/8	3/4
74620	3/4 X 3/4 X 2.50	2.50	5/8 X 3/4, 3/4	3/4
74620	3/4 X 1/2 X 2.38	2.38	5/8 X 3/4, 3/4	1/2
74620*	3/4 X 1 X 2.50	2.50	5/8 X 3/4, 3/4	1
74620	3/4 X 3/4 X 2.00	2.00	5/8 X 3/4, 3/4	3/4
74620	3/4 X 3/4 X 2.25	2.25	5/8 X 3/4, 3/4	3/4
74620	3/4 X 3/4 X 2.75	2.75	5/8 X 3/4, 3/4	3/4
74620	3/4 X 3/4 X 3.00	3.00	5/8 X 3/4, 3/4	3/4
74620	3/4 X 3/4 X 3.28	3.28	5/8 X 3/4, 3/4	3/4
74620	3/4 X 3/4 X 3.50	3.00	5/8 X 3/4, 3/4	3/4
74620	3/4 X 3/4 X 8.50	8.50	5/8 X 3/4, 3/4	3/4
74620*	3/4 X 3/4 X 12.00	12.00	5/8 X 3/4, 3/4	3/4
74620	1 X 3/4 X 1.75	1.75	1	3/4
74620	1 X 1 X 2.63	2.63	1	1
74620	1 X 1 X 3.00	3.00	1	1
74620	1 X 1 X 3.35	3.35	1	1
74620	1 X 1 X 3.50	3.50	1	1
74620	1 X 1 X 8.50	8.50	1	1
74620	1 X 1 X 12.00	12.00	1	1
74620	1 1/2 X 1 1/2 X 2.84	2.84	1 1/2	1 1/2
74620	2 X 2 X 3.00	3.00	2	2



SUBMITTAL INFORMATION

- Manufactured in compliance with ANSI/AWWA C800 (latest revision)
- Brass components in contact with potable water conform to ASTM B584, UNS C89833 (latest revision) and identified with "NL"
- Certified to NSF/ANSI 61 and NSF/ANSI 372
- Brass components not in contact with potable water conform to ASTM B62 and ASTM B584, UNS C83600 -85-5-5-5 (latest revision)
- Large wrench area provided for proper installation



A.Y. McDonald Mfg. Co.
P.O. Box 508
Dubuque, IA 52004-508

Toll Free: 1-800-292-2737
Fax: 1-800-832-9296
Hours: 7:00 a.m. - 5:00 p.m., CST

sales@aymcdonald.com
www.aymcdonald.com

A.Y. McDonald considers the information on this assembly drawing correct when published. Item and option availability, including specifications, are subject to change without notice.

Submitted by: