


Mueller Streamline Co.
Address: 8285 Tournament Dr., Suite 150

Memphis, TN 38125

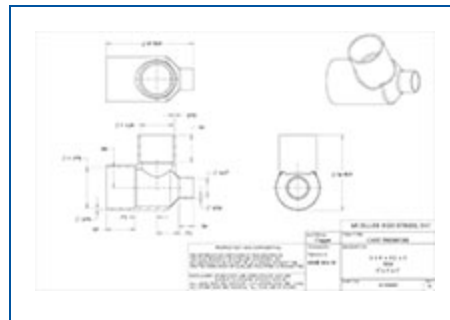
Ph: 901-753-3200

Email: contact@muellerindustries.com
Web: <http://www.muellerindustries.com/>

Item # A 01610NL, Tee Reducing, C x C x C, 1-1/4" x 1/2" x 1"

Streamline® Copper Solder-Joint Fittings for DWV plumbing applications are available in both wrought copper and cast bronze materials. Designed for use in non-pressurized sanitary systems, these fittings commonly feature shorter solder cup designs and more sweeping turns. They are available in a wide range of diameters styles and connections to meet most all sanitary system applications.

- For use in non-pressurized drain, waste and vent sanitary systems
- Constructed of high-grade copper or bronze materials
- Made to applicable ASME standards B16.23, B16.29
- Wrot fittings meet NSF 61G


[Specifications](#) | [Dimensions](#) | [Details](#)
Specifications

Weight	0.483 lb
Material	LEAD-FREE* CAST BRASS ALLOY
Operating Temperature	CDA-Copper-Fitting-Pressue-Temp-Ratings
Operating Pressure	CDA-Copper-Fitting-Pressue-Temp-Ratings
End Type	C - Cup (Female Solder)
End Size	1 1/4 in
Second End Type	C - Cup (Female Solder)
Second End Size	1/2 in
Third End Type	C - Cup (Female Solder)

Third End Size	1 in
-----------------------	------

Standards	ASME B16.15 ASME B16.18 ASME B16.22 ASME B16.24 ASME B16.50 ASME B1.20.1
------------------	---

Dimensions

Overall Length	3.00 in
-----------------------	---------

Overall Height	3.57 in
-----------------------	---------

Overall Width	1.56 in
----------------------	---------

Details

Style	T-300R
--------------	--------

Qty Pcs / Bag	5
----------------------	---

Master Qty Pcs / Box	50
-----------------------------	----

Mueller Description 1	1 1/4 X 1/2 X 1 C TEE
------------------------------	-----------------------

Mueller Description 2	1 3/8 X 5/8 X 1 1/8 OD TEE
------------------------------	----------------------------