

### Features

- Brass construction.
- Brass valve bodies.
- Quarter-turn washerless ceramic disc valves.
- 5-3/16" (132 mm) spout reach.
- Vandal resistant laminar outlet for laminar flow
- Lever handle.
- Less drain.
- 0.5 gal/min (1.9 l/min) maximum flow rate [max at 60 psi (4.14 bar)].



### Codes/Standards

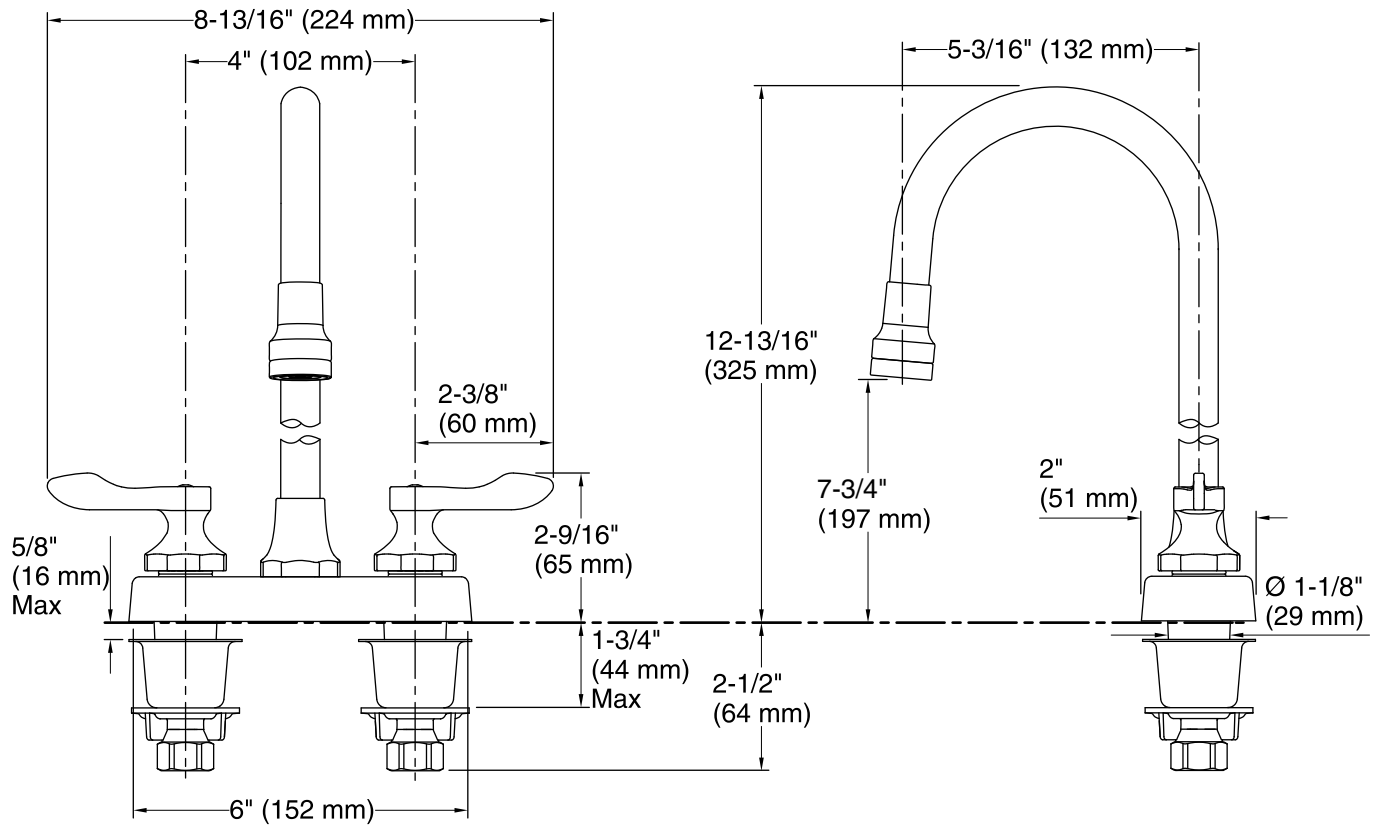
ASME A112.18.1/CSA B125.1  
NSF/ANSI 61  
NSF/ANSI 372  
All applicable US Federal and State material regulations  
DOE - Energy Policy Act 1992  
California Energy Commission (CEC)

**KOHLER® One-Year Limited Warranty**  
See website for detailed warranty information.

### Available Color/Finishes

*Color tiles intended for reference only.*

Color	Code	Description
	CP	Polished Chrome



### Technical Information

All product dimensions are nominal.

#### Faucet:

Flow rate: 0.5 gal/min (1.9 l/min)

Pressure: 60 psi (4.1 bar)

#### Spout:

Spout reach: 5-3/16" (132 mm)

Handle clearance: 2-3/8" (61 mm)

### Notes

Install this product according to the installation guide.