



Iron Plains® Oval Wading Pool®

Bathroom Sink

K-5403-W

Features

- Oval basin.
- No faucet holes; requires wall- or counter-mount faucet.
- Overflow drain.
- White painted underside.

Material

- KOHLER® enameled cast iron.

Installation

- Vessel



ADA

CSA B651

Codes/Standards

ASME A112.19.1/CSA B45.2

ADA

ICC/ANSI A117.1

CSA B651

Lifetime Limited Warranty for KOHLER® Cast Iron Components

See website for detailed warranty information.

Available Colors/Finishes

Color tiles intended for reference only.

Color	Code	Description
-------	------	-------------



0 White

FF Sea Salt™

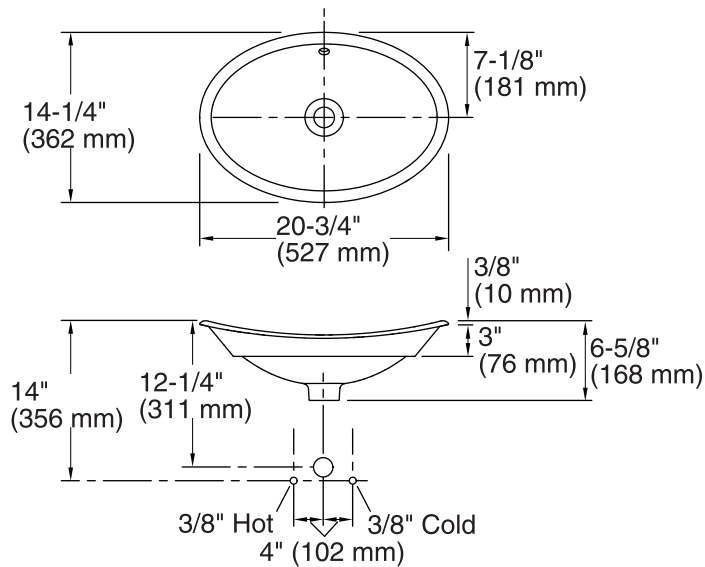
1-800-4KOHLER (1-800-456-4537)

Kohler Co. reserves the right to make revisions without notice to product specifications.

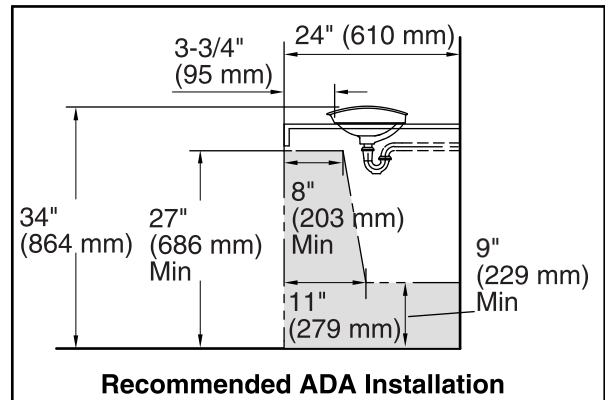
For the most current Specification Sheet, go to www.kohler.com.

4-25-2019 22:47 - US/CA

THE BOLD LOOK
OF **KOHLER**®



Standard Installation



Recommended ADA Installation

Technical Information

All product dimensions are nominal.

Bowl configuration:	Single
Installation:	Vessel
Bowl area:	Length: 19-3/4" (501 mm)
	Width: 13-1/4" (337 mm)
	Bowl depth: 4-15/16" (126 mm)
	With overflow: Yes
	Water depth: 2-1/4" (58 mm)
Template:	1222633-7, required, included

Notes

Install this product according to the installation instructions.

NOTICE: Countertop manufacturer or cutter must use the cut-out template provided with the product, or a current one provided by Kohler Co. (call 1-800-4-KOHLER). Kohler Co. is not responsible for cutout errors when the incorrect cut-out template is used.

ADA, CSA B651 compliant when installed to the specific requirements of these regulations.