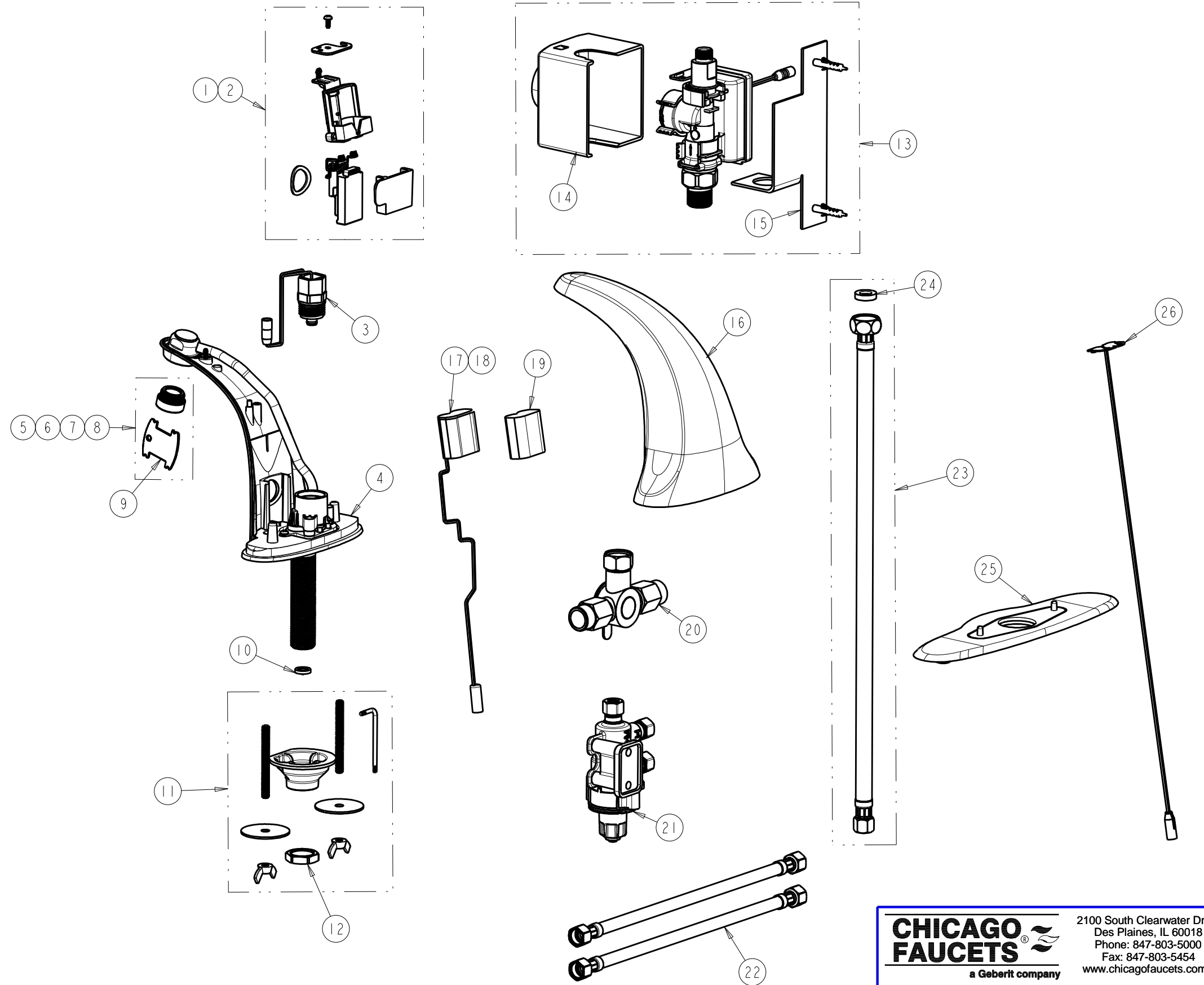


E-TRONIC SERIES

- 116.606.AB.1
- 116.606.AB.M
- 116.706.AB.1
- 116.706.AB.M
- 116.707.AB.1
- 116.707.AB.M
- 116.956.AB.1
- 116.966.AB.1
- 116.976.AB.1



ITEM	PART NO.	DESCRIPTION
1	242.575.00.1	KIT, SSPS E-TRONIC MODULE
2	242.337.00.1	KIT, E-TRONIC MODULE
3	243.152.AB.1	SOLENOID VALVE, DN5
4	-----	BASE (NOT SOLD SEPARATELY)
5	E39VPJKABCP	OUTLET, VP SPRAY w/KEY 0.35 GPM
6	E37VPJKABCP	OUTLET, VP LAMINAR w/KEY 1.5 GPM
7	E2805JKABCP	OUTLET, VP SPRAY w/KEY 0.5 GPM
8	E64VPJKABCP	OUTLET, VP LAMINAR w/KEY 1.0 GPM
9	3-024JKRCF	KEY, VP
10	3300-005JKABNF	FILTER/SCREEN
11	242.339.00.1	KIT, DECK MOUNTING HARDWARE
12	49-004JKRBF	LOCKNUT
13	242.749.AB.1	GENERATOR, COMPLETE UNIT
14	242.750.00.1	COVER, SSPS US
15	242.751.00.1	KIT, WALL MOUNTING SSPS US
16	242.338.21.1	SPOUT COVER
17	242.568.00.1	POWER ADAPTER SSPS, (GREEN)
18	240.747.00.1	POWER ADAPTER AC, (BLACK)
19	242.560.00.1	BATTERY CR-P2 6V (QTY. 6)
20	242.165.AB.1	MICHANICAL, BELOW DECK MIXER
21	131-ABNF	THERMOSTATIC BELOW DECK MIXER
22	250-001KJKABNF	HOSE, 3/8" COM x 3/8" COM x 12" L
23	243.705.AB.1	HOSE, 1/2" IPS x 3/8" COM x 18" L
24	243.704.AB.1	SCREEN FILTER
25	242.164.21.1	COVER PLATE 8"
26	243.290.00.1	BATTERY BACK-UP HYTR-ETRONIC

CHICAGO FAUCETS
 a Geberit company

2100 South Clearwater Drive
 Des Plaines, IL 60018
 Phone: 847-803-5000
 Fax: 847-803-5454
www.chicagofaucets.com

FOR TECHNICAL ASSISTANCE
 1-800-TEC-TRUE (1-800-832-8783)

REPAIR PARTS

BY: JAR DATE: 02-14-14
 CHK: *JAR* REV: 11-30-16

FITTING NO.	116-E-TRONIC-SERIES
SUBMITTED MODEL NO.	
ITEM NO.	