

SF-2400 SF-2450

► **Description**

Sensor Activated, Electronic, Pedestal Hand Washing Faucet for tempered or hot/cold water operation.

► **Models**

- SF-2400 Series 6 VDC Plug-in Adapter Powered with Battery Backup
- SF-2450 Series Battery Powered

► **Flow Rate**

- 0.5 gpm/1.9 Lpm Max Flow Spray Head

► **Specifications**

ADA Compliant, Sensor Activated, 6 VDC, Chrome Plated Brass, Pedestal Hand Washing Faucet with the following features:

- Splash-proof Circuit Control Module
- Adjustable Infrared Sensor Range
- 36" (914 mm) Long Sensor Cable
- 24" (610 mm) Long Flex Hose
- Filtered Solenoid Valve with serviceable Strainer Filter
- Bak-Chek® Tee for Hot/Cold Supply
- 6 VDC Plug-in Adapter (Model SF-2400 only)
- Non-aerated Spray Head
- Includes Four (4) AA-size Batteries
- Includes appropriate Mounting Hardware
- Trim Plate Kit for 4" (102 mm) Centerset Sink

► **Variations (add suffix to Model Number for inclusion with Faucet)**

● **Trim Plates (specify one)**

- 4** 4" Trim Plate for 4" Centerset Sink
- 8** 8" Trim Plate for 8" Centerset Sink

● **Temperature Mixing Valve**

- BDM** MIX-60-A Below Deck Mechanical Mixing Valve

► **Accessories (specify separately)**

● **Standard Outlets**

- SFP-13** 0.5 gpm/1.9 Lpm Spray Head
- SFP-23** 2.2 gpm/8.3 Lpm Aerator Spray Head

● **Vandal Resistant Outlets**

- EAF-15** 0.5 gpm/1.9 Lpm Aerator Spray Head
- SFP-24** 2.2 gpm/8.3 Lpm Aerator Spray Head

● **Adapters**

- SFP-6** 110 VAC/6 VDC Plug-in Adapter
- SFP-20** 220 VAC/6 VDC Type G Rectangular (UK) Plug-in Adapter
- SFP-25** 220 VAC/6 VDC Type C Round Pin (Euro) Plug-in Adapter
- SFP-26** 220 VAC/6 VDC Type A Flat Blade (Asia) Plug-in Adapter
- SFP-35-A** Gang Adapter Kit, includes 1 Plug-in Gang Adapter, 5 Splitter Cables and 1 Extension Cable
- SFP-36** 71" (1800 mm) 120 VAC/6 VDC Plug-in Gang Adapter
- SFP-38** 51" (1300 mm) Splitter Cable
- SFP-37** 51" (1300 mm) Extension Cable



► **ADA Compliant**

► **Automatic**

Sloan SF-2400 and SF-2450 Electronic Pedestal Hand Washing Faucets operate by means of an infrared sensor. When the user enters the sensor's effective range, the Solenoid activates the water flow. Tempered water flows from the Faucet until the user steps away. The Faucet then automatically shuts off.

► **Hygienic**

The ultimate in sanitary protection — there are no handles to turn or buttons to push. Helps to control the spread of infectious diseases.

► **Economical**

Automatic operation provides water usage savings over other faucet devices. Reduces maintenance and operation costs.

► **Warranty**

1 year (limited)

► **Compliant to:**

ASME A112.18.1



This space for Architect/Engineer approval

Job Name _____ Date _____

Model Specified _____ Quantity _____

Variations Specified _____

Customer/Wholesaler _____

Contractor _____

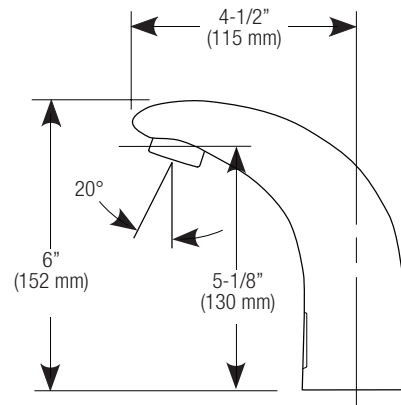
Architect _____

SF-2400 SF-2450

- ▶ **Description**
Sensor Activated, Electronic, Hand Washing Faucet for tempered or hot/cold water operation.
- ▶ **Models**
 - ☐ SF-2400 Series 6 VDC Plug-in Adapter Powered with Battery Backup
 - ☐ SF-2450 Series Battery Powered
- ▶ **Flow Rate**
 - ☐ 0.5 gpm/1.9 Lpm Max Flow Outlet

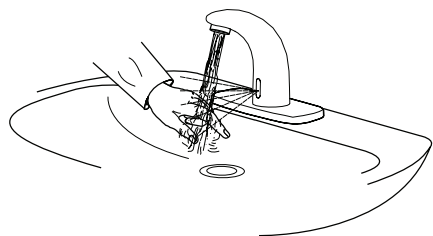
ELECTRICAL SPECIFICATIONS

- ▶ **Control Circuit**
6 VDC Input/Output
- ▶ **Adapter**
6 VDC Plug-in (Model 2400 only)
- ▶ **Battery Life**
Four (4) Alkaline AA Batteries 2 years at 8,000 cycles/month
- ▶ **Solenoid Valve**
6 VDC, Serviceable Strainer, 3/8" Compression Inlet, 1/2" NPSM Outlet
- ▶ **Sensor Range**
Nominal:
4" - 7" (102 mm - 178 mm)

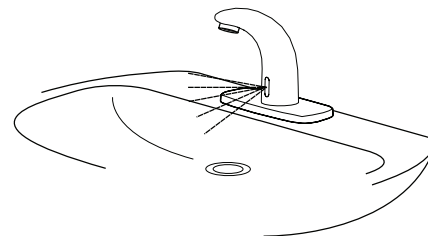


OPERATION

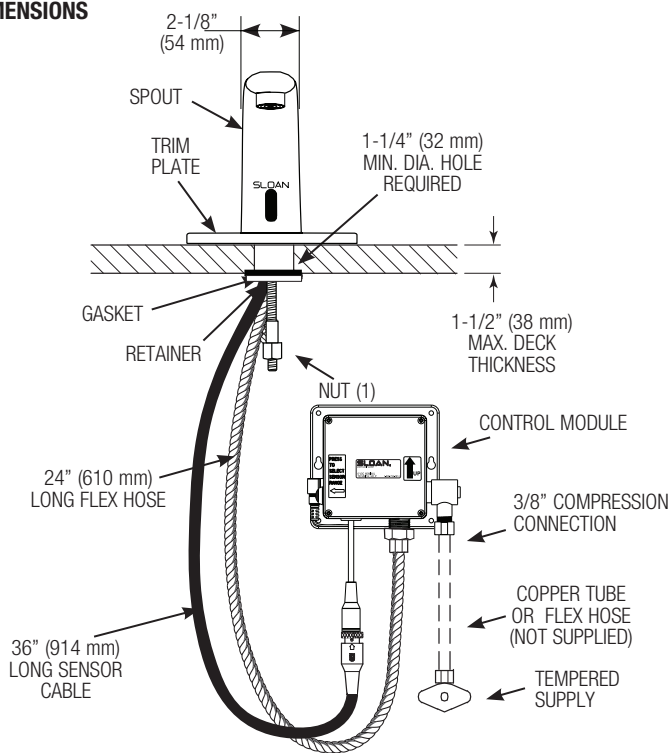
1. When a user's hands enter the sensing range, water flows from the spout.



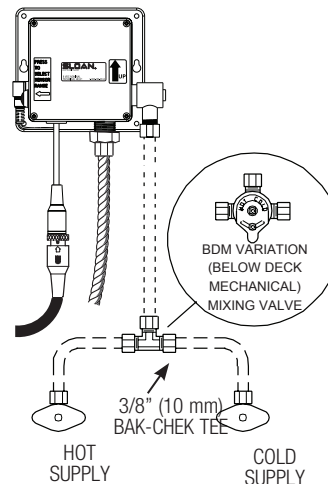
2. When hands are removed, the water flow stops.



ROUGH-IN DIMENSIONS



HOT AND COLD WATER SUPPLY APPLICATIONS (SPECIFY IN MODEL VARIATION)



SLOAN VALVE COMPANY • 10500 SEYMOUR AVENUE • FRANKLIN PARK, IL 60131

Phone: 1-800-982-5839 or 1-847-671-4300 • Fax: 1-800-447-8329 or 1-847-671-4380 • www.sloanvalve.com