

F200 Charged-Media Air Cleaner

PRODUCT DATA



APPLICATION

The F200 Charged-Media Air Cleaner captures a significant amount of the air-borne particles from the air circulated through the unit.

FEATURES

- **Charged-Media filter captures particles as small as 0.3 micron.**
- **Efficiency ratings based on the American Society of Heating, Refrigerating and Air Conditioning Engineers Standard 52.2-1999.**
- **Applicable to all gas, oil, and electric forced warm air furnaces and to compressor cooling up to 5 tons.**
- **Mounts in the return air duct.**
- **Cabinet can support weight of residential furnace and evaporator coil.**
- **Requires no electrical connections.**
- **Mounts in any position.**
- **Requires no maintenance except periodic battery and media filter replacement.**
- **Quick and easy media filter replacement.**
- **Later upgrade to electronic air cleaner is easy.**
- **Integral pressure sensors signal when filter change is required based on increased pressure drop threshold at filter.**
- **Filter change status is transmitted to wall-mounted AIRWATCH® Indicator.**
- **The RF AIRWATCH® Indicator is included.**

Contents

Application/Features	1
Specifications/Ordering Information	2
Installation and Checkout	7
Checkout	8
F200E Parts List.	10



SPECIFICATIONS

IMPORTANT

The specifications in this publication do not include normal manufacturing tolerances; therefore, an individual unit may not exactly match the listed specifications. This product is tested and calibrated under closely controlled conditions, and some minor differences in performance can be expected if those conditions are changed.

Model:

F200E Charged-Media Air Cleaner includes a cabinet, access door and pleated media filter, and an RF AIRWATCH® Indicator.

Application:

Use with gas, oil, and electric forced warm air furnaces and with compressor cooling. Can be used with heat pumps if filter is changed regularly to prevent excessive pressure drop.

Efficiency:

Efficiency Ratings: Based on American Society of Heating, Refrigerating and Air-Conditioning Engineers Standard 52.2-1999. Efficiency ranges are defined for small particles, E1=0.3 to 1.0 microns; medium particles, E2=1.0 to 3.0 microns; and large particles, E3=3.0 to 10.0 microns.

Initial Efficiency:

E1=64%

E2=91%

E3=99%

Minimum Efficiency Reporting Value (MERV): 13 at 492 fpm.

Filter Media: Pleated for greater media capacity.

Filter Element: Underwriters Laboratories, Inc.: UL 900, Class 2 Listed.

Pressure Drop: See Fig. 3.

Initial Pressure Drop: 0.31 in. wc at 492 fpm.

Temperature Rating: -40° to +140°F (-40° to +60°C).

Dimensions: See Fig. 1.

Mounting:

Mounts in any position in the return air duct, usually next to the furnace blower compartment. Cabinet is sturdy enough to support weight of a residential furnace and evaporator coil.

Upgrade Path:

The F200 uses the same cabinet as the F300 Electronic Air Cleaner. Upgrade may require installing the cell key, electronic cells, protective screens and installation and wiring of the power box, depending on model.

ORDERING INFORMATION

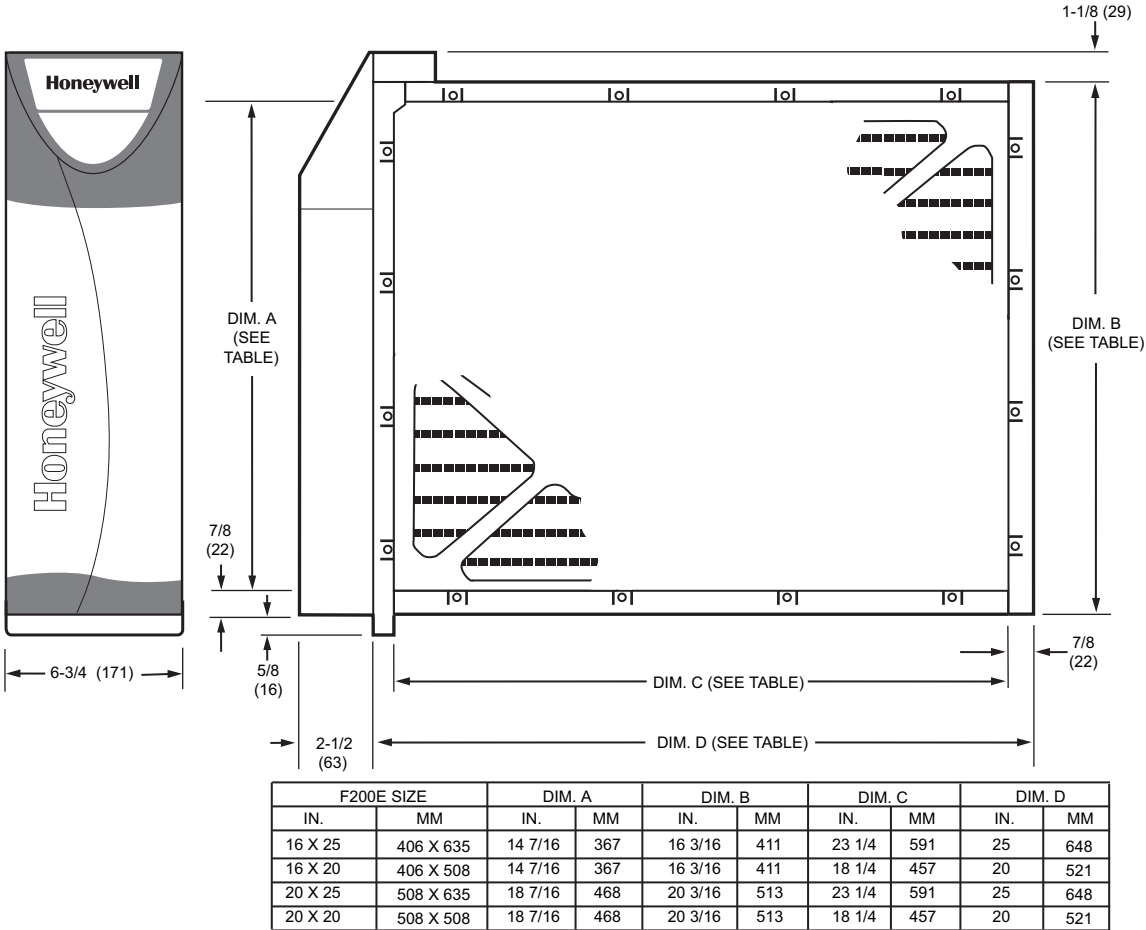
When purchasing replacement and modernization products from your TRADELINE® wholesaler or distributor, refer to the TRADELINE® Catalog or price sheets for complete ordering number.

If you have additional questions, need further information, or would like to comment on our products or services, please write or phone:

1. Your local Honeywell Automation and Control Products Sales Office (check white pages of your phone directory).
2. Honeywell Customer Care
1885 Douglas Drive North
Minneapolis, Minnesota 55422-4386
3. <http://customer.honeywell.com> or <http://customer.honeywell.ca>

In Canada—Honeywell Limited/Honeywell Limitée, 35 Dynamic Drive, Toronto, Ontario M1V 4Z9.

International Sales and Service Offices in all principal cities of the world. Manufacturing in Australia, Canada, Finland, France, Germany, Japan, Mexico, Netherlands, Spain, Taiwan, United Kingdom, U.S.A.



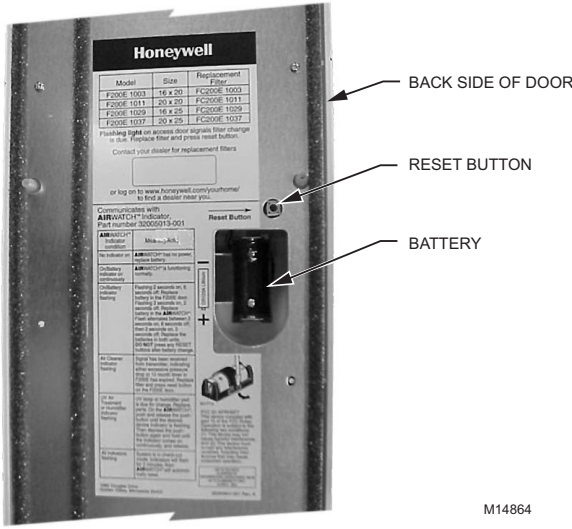
M14784A

Fig. 1. Installation dimensions in in. (mm) of air cleaner.

Media Replacement:

Replace the filter at least annually or when the built-in pressure sensors in the F200 door detect that airflow is impaired and the filter requires cleaning. This condition causes the indicator light on the F200 door to begin flashing and the transmitter to send a signal to the wall-mounted RF Indicator that the filter needs replacing.

After replacing the filter, press the reset button on the F200 door to reset both the door indicator light and the RF AIRWATCH® Air Cleaner Indicator. See Fig. 2. (See Table 1 for AIRWATCH® operation.)



M14864

Fig. 2. RF transmitter door - interior view.

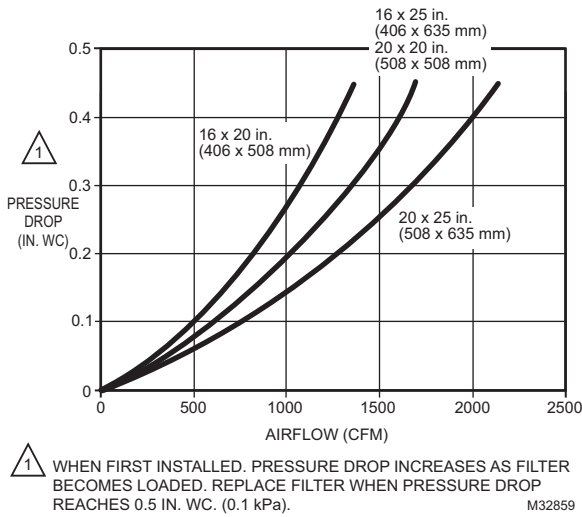


Fig. 3. Capacity, Pressure Drop and Area of F200 Filter Media.

PLANNING THE INSTALLATION

Location

The media air cleaner should be installed where all the air passing through the system is circulated through it. The best location is in the return air duct next to the blower compartment so the media air cleaner can help to keep the blower motor and evaporator coils clean. Do not mount in the supply air duct.

For most efficient air cleaning, spread airflow evenly across the face of the media. If the duct is a different size than the media air filter cabinet, gradual transitions are required. If the duct turns sharply just before the air filter, turning vanes are required.

Choose a location that is readily accessible for checking and replacing the filter. Allow at least 26 in. (660 mm) clearance in front of the unit for removal of the cartridge.

Install the media air filter where the temperature will not exceed the ratings in the Specifications.

Applications With Air Conditioning

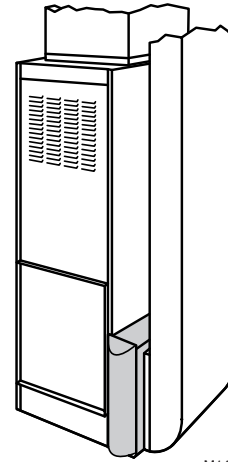
Mount the media air cleaner upstream of the evaporator coil in a cooling system. The filter will help to keep the coil clean and reduce maintenance.

Applications With A Humidifier

The media air cleaner is compatible with humidifiers. Avoid applications where water mist will reach the media. If an atomizing humidifier is used, the filter media will require replacement more often because of minerals in the water.

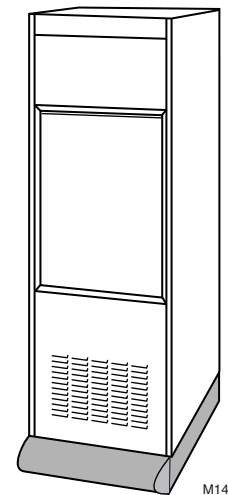
Choose Mounting Position

The media air cleaner can be mounted in any position, but the arrow on the cartridge must point in the same direction as the airflow. See Figs. 4-11 for proper location of the media air cleaner for a variety of furnace installations. Note that the media air cleaner cabinet is sturdy enough to easily support the weight of the furnace and evaporator coil. See Fig. 5.



M14786

Fig. 4. Highboy furnace, with side installation. Media air filter is mounted vertically where return enters side inlet of furnace.



M14787

Fig. 5. Media air cleaner is mounted horizontally where return enters from below.

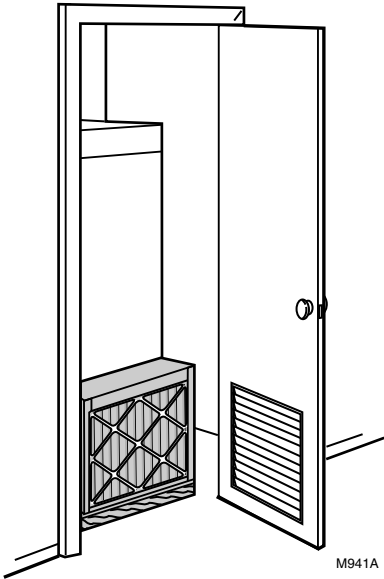


Fig. 6. Highboy furnace, with closet installation. Media air cleaner is mounted vertically on furnace between furnace and louvered return air opening in closet door.

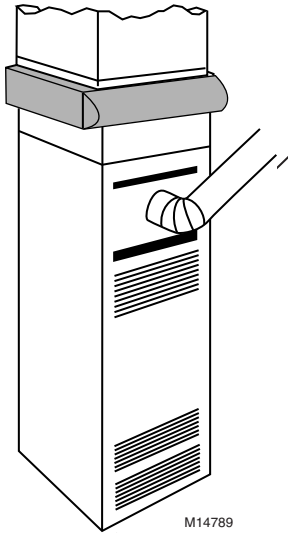


Fig. 8. Counterflow furnace, with media air cleaner mounted horizontally in return duct or plenum just above furnace.

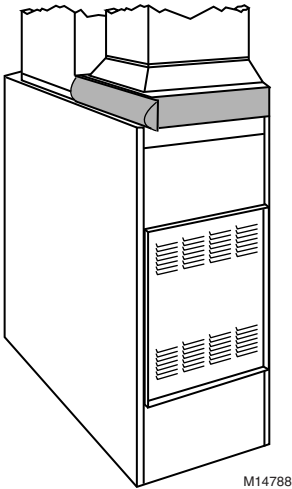


Fig. 7. Lowboy furnace, with media air cleaner mounted horizontally in return plenum just above furnace and opposite heating plenum.

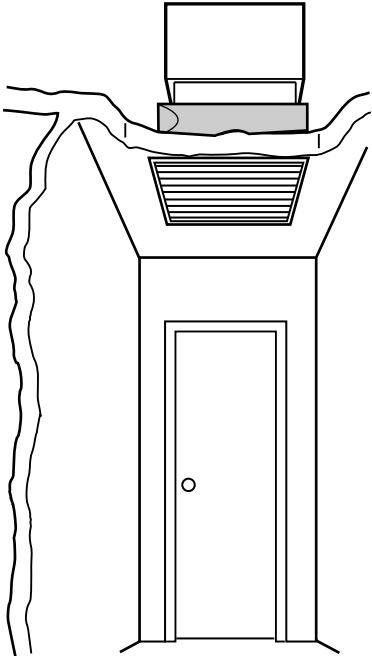
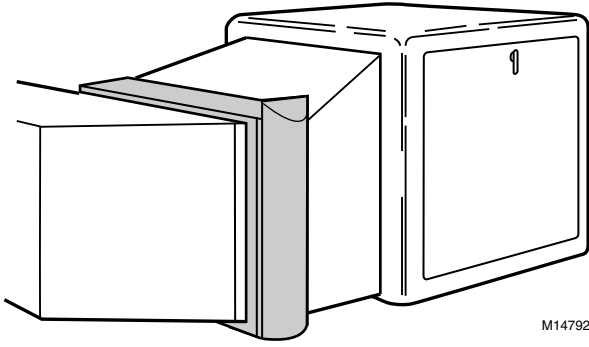


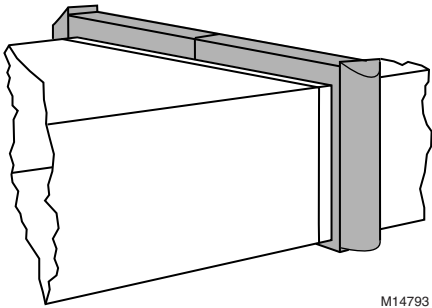
Fig. 9. Central fan installation, with media air cleaner mounted horizontally in central return duct.



M14792

Fig. 10. Horizontal furnace, with media air filter mounted vertically in return duct near furnace.

NOTE: When more than one media air cleaner is used, each air cleaner requires a separate RF AIRWATCH®, if communication is desired with all units.



M14793

Fig. 11. Two or more media air cleaners used in a high capacity system.

Determining Sheetmetal Requirements

The media air cleaner is adaptable to all new or existing forced air heating and cooling systems used in residential applications. Transitions or turning vanes may be required in some applications for effective media air cleaner operation.

Transitions

Transitions are needed when the duct is a different size than the media air cleaner cabinet. Follow these guidelines when fabricating:

1. Use gradual transitions to reduce air turbulence and increase efficiency. See Fig. 12.

2. Use no more than 20 degrees (about 4 in. per running ft. (100 mm per 300 linear mm)) of expansion on each side of a transition fitting.

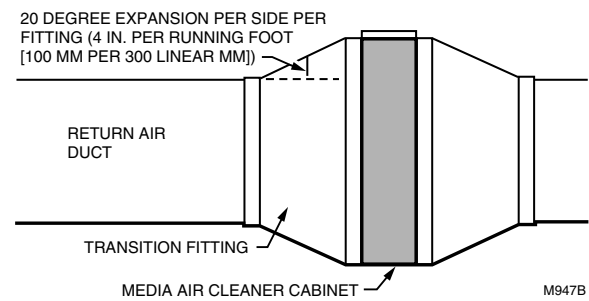
Turning Vanes

If the media air cleaner is installed next to an elbow or angle fitting, add turning vanes inside the angle to distribute airflow more evenly across the face of the media. See Fig 13.

Offsets

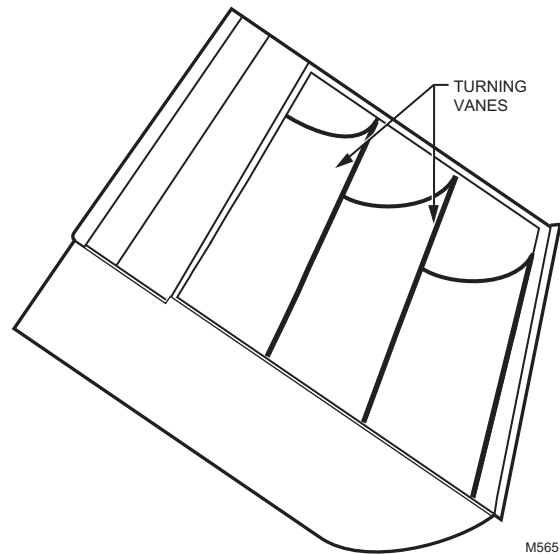
If the duct connection to the furnace in a side installation allows less than 7 in. (178 mm) for mounting media air cleaner cabinet, attach an offset to the elbow. See Fig. 14.

DUCT SIZE CHANGED GRADUALLY TO PREVENT TURBULENCE.



M947B

Fig. 12. Duct size changed gradually to prevent turbulence.



M5651

Fig. 13. Turning vanes installed in bend help distribute airflow evenly over face of media.

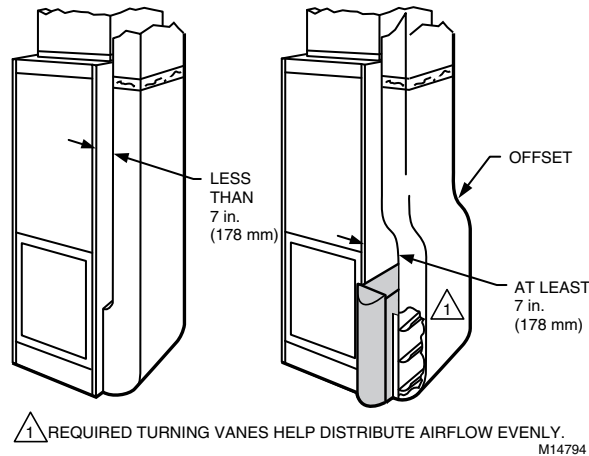


Fig. 14. Typical use of duct offset to make room for media air cleaner.

INSTALLATION AND CHECKOUT

When Installing this Product...

1. Read these instructions carefully. Failure to follow them could damage the media air filter or cause a hazardous condition.
2. Check the ratings given in the instructions and on the media air cleaner to make sure the product is suitable for your application.
3. Installer must be a trained, experienced service technician.

Remove Furnace Filter And Clean Blower Compartment

Before starting the installation, remove and discard the existing furnace filter (if used). Thoroughly clean the blower compartment. If possible, power vacuum the ductwork to remove accumulated dust in an occupied home or remove construction dirt in a new home. The media air cleaner cannot remove dirt that has settled in the blower compartment and distribution ducts.

Install The Cabinet

The following procedure describes a typical side installation on an existing highboy furnace. Alternate procedures are noted as appropriate. Other changes in installation procedures may be necessary to complete your installation.

Review The Installation Plan

Temporarily place the cabinet on the floor, oriented as it will be when installed. Insert and remove the cartridge to make sure the plan allows adequate clearance for easy removal and replacement of the cartridge.

Make sure that shop-fabricated sheetmetal components, such as turning vanes, are available.

Fasten The Cabinet To The Furnace

Align the cabinet with the return air opening. Place blocks under the cabinet, as necessary, to make sure the unit sits securely. Create an opening in the furnace to match the cabinet opening. Attach the cabinet securely to the furnace. Attach the unit directly or fit a starting collar in the furnace opening. Either drill holes and fasten with sheetmetal screws or rivets, or use slip joints. If you are drilling holes, use a locking pliers to help hold the unit in place during drilling.

Install Turning Vanes

Install turning vanes to help distribute air equally over the full surface of the upstream side of the media. Install them whenever an abrupt 90 degree elbow is installed directly against the media air cleaner cabinet.

Fasten Cabinet To Ductwork

Fasten side of cabinet to the ductwork using sheet-metal screws, rivets, or slip joints, as appropriate.

Connect Ductwork

Connect the vertical duct section to the elbow. If the vertical drop of the duct is less than 7 in. (178 mm) from the side of the furnace, shorten the horizontal trunk or attach an offset fitting to the elbow. See Fig. 12. When ductwork is properly aligned, connect the vertical duct to the horizontal trunk.

Seal Joints

Seal all joints in the return air system between the media air filter and the furnace to prevent dust from entering the clean airstream.

Install Filter Cartridge

Slide the filter cartridge into the cabinet, making sure the arrow on the cartridge points in the direction of air flow.

Install battery in door. Replace access door. Insert the tab on the bottom of the door into the slot in the cabinet. Swing the door closed and press it into place.

Install RF AIRWATCH® Indicator

The AIRWATCH® Indicator provides a signal when the F200 filter needs replacing. When the filter begins restricting airflow because of accumulated dirt, pressure sensors in the F200 initiate a radio frequency signal to be sent to the AIRWATCH® Indicator. The AIRWATCH Indicator also has 12-month timers to indicate when the humidifier pad and the ultraviolet air treatment lamps need replacing.

Install Battery

1. Remove the AIRWATCH® Indicator from the base:
 - a. Depress the tab on the bottom edge of the base.
 - b. Pull off the bottom of the front cover.
2. Install one CR123A Lithium Battery (provided) in the holder on the back of the unit.
3. Observe that the On/Battery LCD segment comes on.

Select Location

The RF AIRWATCH can be mounted in any convenient location in the home.

1. Select the desired location (at least six feet away from transmitter in door).
2. Check for communication between the F200 Media Air Cleaner and the AIRWATCH® Indicator as follows:
 - a. Place the AIRWATCH® Indicator in the desired mounting location. Use a piece of masking tape to hold the device to the wall.
 - b. At the F200, press the reset button on the door.
 - c. Verify that the arrows on the AIRWATCH® Indicator are flashing. (The arrows will flash for about two minutes before returning to normal.)
3. If there is no response on the AIRWATCH® Indicator, choose another location within the home and begin again at step 2.

Mount AIRWATCH® Indicator

1. Remove the AIRWATCH® Indicator from the base:
 - a. Depress the tab on the bottom edge of the base.
 - b. Pull off the bottom of the front cover.
2. Position the base on the wall in the desired mounting position; using the holes in the base as a template, mark the locations for the anchors and screws provided.
3. Drill holes (3/16in.) and install the screw anchors provided.
4. Position the base over the holes and install the screws provided; tighten the screws until the base is mounted firmly to the wall.
5. Reinstall AIRWATCH® Indicator onto base:
 - a. Hook the top.
 - b. Snap the bottom into place.

Initialize the AIRWATCH® Indicator to accept signals from the F200 transmitter:

1. Be sure the RF AIRWATCH® receiver is at least six feet away from the transmitter in the door to ensure communication.
2. Push and hold the AIRWATCH® Indicator button until all four arrows come on (about five seconds).
3. Push the red reset button on the F200 door within two minutes.
4. Observe the indicator arrows on the RF AIRWATCH® begin to flash and continue for about two minutes until initialization is completed.

The AIRWATCH® Indicator default setting is UV Light and Humidifier timers are disabled; the Filter indicator is always enabled. To display active timers:

1. Press and hold the button on the AIRWATCH® Indicator for about three seconds.
2. Observe the arrow showing the active timer(s).

To activate a timer:

1. Press and release the AIRWATCH® Indicator button until the desired device is selected, as indicated with the flashing arrow.
2. Press and hold the button until the arrow stops flashing.
3. Release the button while the arrow is on.

To deactivate a timer:

1. Press and release the AIRWATCH® Indicator button until the desired device is selected, as indicated with the flashing arrow.
2. Press and hold the button until the arrow turns off (about four seconds).
3. Release the button while the arrow is off.

AIRWATCH® Indicator Operation

The Indicator has an LCD with four indicator segments: On/ Battery, Air Cleaner, UV Air Treatment and Humidifier. See Table 1.

Checkout

Visually check the installation. Make sure:

- Airflow is in the direction of the arrow on the media air filter cartridge.
- Turning vanes and transitions, if used, are properly installed.
- Joints in sheetmetal between media air filter and furnace are sealed.
- All sheetmetal connections are complete.
- Original furnace filter has been removed and blower compartment is cleaned.

Replace any access doors removed during the Installation or Checkout.

Run the furnace or cooling system through one complete cycle to make sure the system operates as desired.

Table 1. AIRWATCH® Indicator LCD Description.

AIRWATCH® Indicator Condition	Meaning/Action
No indicator on.	AIRWATCH® has no power; replace battery in AIRWATCH®
On/Battery indicator on continuously.	AIRWATCH® is functioning normally.
On/Battery indicator flashing.	Flashing two seconds on, six seconds off: Replace battery in the RF door. Do not press any reset buttons after battery change. Flashing two seconds on, two seconds off: Replace battery in AIRWATCH®. Do not press any reset buttons after battery change. Flashing alternates between two seconds on, six seconds off; then two seconds on, two seconds off: Replace the batteries in both units. Do not press any reset buttons after battery change.
Air Cleaner indicator flashing.	Signal was received from transmitter, indicating either excessive pressure drop or 12-month timer has expired. Replace filter and press reset button inside RF door. See Fig. 2.
UV Air Treatment indicator flashing or Humidifier indicator flashing.	UV lamp(s) or humidifier pad needs replacing. Replace parts. On the AIRWATCH®, push and release button until desired device indicator is flashing. Then press button again and hold until indicator comes on continuously; then release.
All indicators flashing.	System is in checkout mode. Indicators flash for two minutes, then AIRWATCH® automatically resets.

F200 CHARGED-MEDIA AIR CLEANER



Table 2. F200E Parts List.

Callout No.	Description	F200E1003 16 x 20 in.	F200E1029 16 x 25 in.	F200E1011 20 x 20 in.	F200E1037 20 x 25 in.
1	Replacement filter	FC200E1003	FC200E1029	FC200E1011	FC200E1037
2	Door with RF Transmitter	32004876-002	32004876-002	32004876-001	32004876-001
3	AIRWATCH® RF Receiver	W8600B1005	W8600B1005	W8600B1005	W8600B1005

Automation and Control Solutions

Honeywell International Inc.
1985 Douglas Drive North
Golden Valley, MN 55422

Honeywell Limited-Honeywell Limitée
35 Dynamic Drive
Toronto, Ontario M1V 4Z9
customer.honeywell.com

Honeywell

® U.S. Registered Trademark
© 2011 Honeywell International Inc.
68-0238EF-04 M.S. Rev. 06-11
Printed in U.S.A.

Filtre à air à auto-ionisation F200

DONNÉES TECHNIQUES



CARACTÉRISTIQUES

- Filtre à auto-ionisation qui retient des particules dont la taille fait aussi peu que 0,3 micron.
- Efficacité et capacité de rétention établies d'après la norme 52.2-1999 de l'American Society of Heating, Refrigerating and Air-Conditioning Engineers.
- Convient à tous les systèmes de chauffage à air pulsé au gaz, au mazout ou à l'électricité et aux compresseurs de refroidissement allant jusqu'à 5 tonnes.
- S'installe dans la gaine de reprise d'air.
- Le boîtier résistant peut recevoir le poids d'un appareil de chauffage résidentiel et d'un serpentin d'évaporation.
- Ne requiert aucun raccordement électrique.
- S'installe dans n'importe quelle position.
- N'exige aucun entretien à l'exception du remplacement périodique du filtre à fibres.
- Remplacement simple et rapide du filtre à fibres.
- Peut par la suite être remplacé facilement par un filtre à air électronique.
- Capteurs de pression intégrés qui indiquent quand il faut remplacer le filtre en fonction du seuil de chute de pression plus élevé au filtre.
- Le signal de remplacement du filtre est transmis à un indicateur mural AIRWATCH^{MC}.
- L'indicateur AIRWATCH^{MC} à radiofréquences est inclus.

APPLICATION

Le filtre à air à auto-ionisation F200 retient une importante quantité de particules contenues dans l'air qui le traverse.

Contents

Application/Caractéristiques	1
Fiche technique/Pour commander	2
Installation	7
Vérification	9
Liste des pièces du F200.	10



FICHE TECHNIQUE

IMPORTANT

Les caractéristiques techniques indiquées dans la présente publication ne comprennent pas les tolérances normales de fabrication. Par conséquent, il se peut que l'appareil ne corresponde pas exactement aux caractéristiques indiquées. De même, le produit a été mis à l'essai et étalonné dans des conditions entièrement contrôlées et on peut s'attendre à de légères différences de fonctionnement si ces conditions sont modifiées.

Modèle :

Filtre à auto-ionisation F200 avec boîtier, porte d'accès, médium filtrant en papier accordéon et indicateur à radiofréquences AIRWATCH^{MC}.

Application :

Convient aux appareils de chauffage à air pulsé au gaz, au mazout et à l'électricité et aux compresseurs de refroidissement. Peut être utilisé dans un système à pompe à chaleur si le filtre est remplacé à intervalle régulier pour éviter une trop grande chute de pression.

Efficacité :

Efficacité établie d'après la norme 52.2-1999 de l'American Society of Heating, Refrigerating and Air-Conditioning Engineers. Les pourcentages d'efficacité sont définis pour les

petites particules, $E_1 = 0,3$ à 1 micron; particules moyennes, $E_2 = 1,0$ à 3,0 microns; et les grosses particules, $E_3 = 3,0$ à 10 microns.

Efficacité initiale :

$E_1=64\%$

$E_2=91\%$

$E_3=99\%$

Médium filtrant : Papier plissé pour une plus grande capacité.

Élément de filtration répertorié par les : Underwriters Laboratories Inc., UL 900, classe 3.

Capacité hute de pression : Voir la Fig. 2.

Chute de pression initiale : 0,31 po c.e. à 492 pi³/min.

Température ambiante nominale : -40 à 60 C (-40 à 140 F).

Encombrement : Voir la Fig. 1.

Installation :

S'installe dans n'importe quelle position dans la gaine de reprise d'air, habituellement près du compartiment du ventilateur de l'appareil de chauffage. Le boîtier est suffisamment résistant pour recevoir le poids d'un appareil de chauffage résidentiel et d'un serpentin d'évaporation.

Possibilité de mise à niveau :

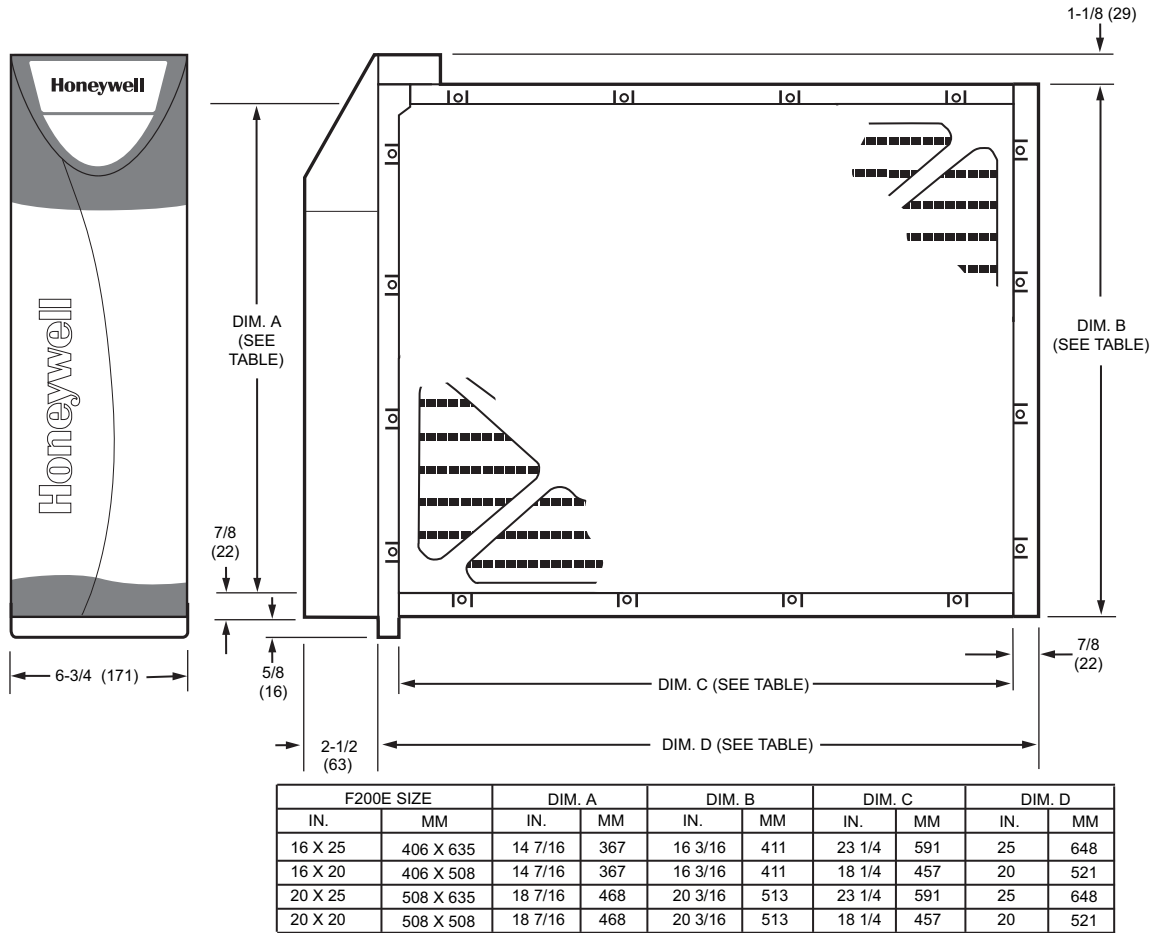
Le F200 fait appel au même boîtier que le filtre à air électronique F300. La mise à niveau peut nécessiter l'installation d'un clavette de cellule, de cellules électroniques, d'écrans protecteurs; selon les modèles, il faudra également installer et raccorder le bloc d'alimentation.

POUR COMMANDER

Au moment d'acheter des produits de modernisation ou de remplacement auprès de votre grossiste ou distributeur TRADELINE®, consultez le catalogue TRADELINE® ou les tarifs pour obtenir le numéro de pièce. Prière d'adresser toute question additionnelle, demande d'information ou commentaires sur les produits et services par écrit ou par téléphone :

1. Au bureau des ventes de produits de régulation et d'automatisation Honeywell de votre localité (consulter les pages blanches de l'annuaire téléphonique).
2. À Honeywell Customer Care
1885 Douglas Drive North
Minneapolis, Minnesota 55422-4386

Au Canada : Honeywell Limited-Honeywell Limitée, 35 Dynamic Drive, Toronto (Ontario) M1V 4Z9. Points de vente et de service dans toutes les grandes villes du monde. Usines en Allemagne, en Australie, au Canada, en Espagne, aux États-Unis, en Finlande, en France, au Japon, au Mexique, aux Pays-Bas, au Royaume-Uni et à Taiwan.



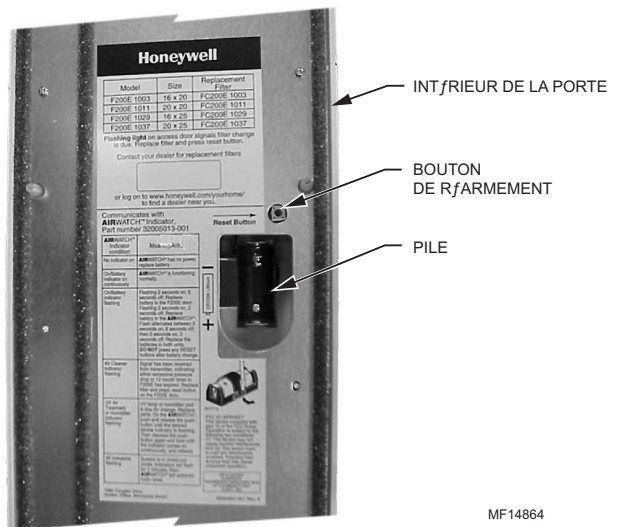
M14784B

Fig. 1. Encombrement du filtre à air in mm (po).

Remplacement du médium filtrant :

Remplacer le filtre au moins une fois par année ou lorsque les capteurs de pression intégrés dans la porte du F200 détectent que l'écoulement d'air a diminué et qu'il faut nettoyer le filtre. Dans un tel cas, le voyant situé sur la porte du F200 s'allume et clignote, et le transmetteur envoie un signal à l'indicateur mural à radiofréquences, indiquant ainsi à l'utilisateur qu'il faut remplacer le filtre.

Une fois le filtre remplacé, appuyer sur le bouton de réarmement situé sur la porte du F200 ainsi que sur celui de l'indicateur mural à radiofréquences AIRWATCH^{MC}. Voir Fig. 2. (Voir le Tableau 1 pour savoir comment fonctionne l'indicateur AIRWATCH^{MC}.)



MF14864

Fig. 2. Porte avec transmetteur RF- vu de l'intérieur.

Taille du filtre (en po)	Número de pièce
16 x 25	FC100A1029
16 x 20	FC100A1003
20 x 25	FC100A1037
20 x 20	FC100A1011

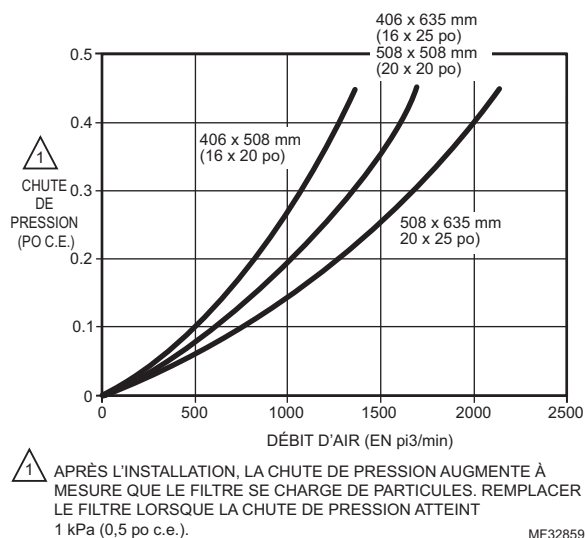


Fig. 3. Appareil de chauffage à caissons superposé. Filtre à air installé sur le côté à la verticale, à l'endroit où entre l'air repris, sur le côté de l'appareil de chauffage.

PLANIFICATION DE L'INSTALLATION

Emplacement

Installer le filtre à air de manière que tout l'air qui passe dans le système puisse circuler dans le filtre. Le meilleur endroit est la gaine de retour d'air, à côté du compartiment de ventilation; à cet endroit, le filtre à air contribuera en effet à garder le moteur du ventilateur et les serpentins de l'évaporateur plus propres. Ne pas installer le filtre dans la gaine de soufflage.

Le filtrage de l'air sera plus efficace si le débit d'air est réparti uniformément sur la surface du filtre. Si la gaine et le boîtier du filtre à air n'ont pas les mêmes dimensions, il est préférable d'installer des raccords de transition. Si la gaine présente un angle aigu juste avant le filtre à air, il est recommandé d'utiliser des déflecteurs.

Choisir un emplacement facile d'accès pour la vérification et le remplacement du filtre. Prévoir un dégagement d'au moins 660 mm (26 po) sur le devant de l'appareil pour le retrait de la cartouche.

Installer le filtre à air à fibres à un endroit où la température ne dépasse pas les limites indiquées dans la fiche technique.

Applications - appareil de refroidissement

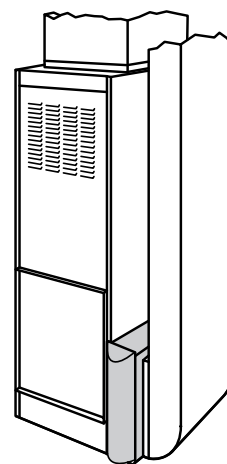
Le filtre à air devrait être installé en amont du serpentin de l'évaporateur. Le filtre à air aidera à garder le serpentin propre et permettra de réduire la fréquence de l'entretien.

Applications - humidificateur

Le filtre à air convient aux systèmes avec humidificateurs. Éviter les installations où l'eau vaporisée peut atteindre le médium filtrant. Dans le cas d'une installation avec humidificateur atomiseur, il faudra remplacer le médium filtrant plus souvent en raison des sédiments que contient l'eau.

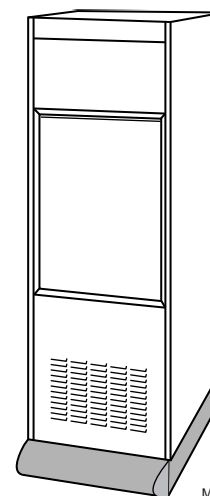
Choisir la position d'installation du filtre

Le filtre à air peut être installé dans n'importe quelle position, mais les flèches figurant sur la cartouche doivent pointer dans le même sens que celui de l'écoulement de l'air. Voir les figures 4 à 11 pour observer l'emplacement adéquat du filtre à air selon le type d'appareil de chauffage. Il est à noter que le boîtier du filtre à air est robuste et qu'il peut facilement recevoir le poids de l'appareil de chauffage et du serpentin d'évaporation. Voir la Fig. 5.



M14786

Fig. 4. Appareil de chauffage à caissons superposé. installé sous l'appareil de chauffage à l'horizontale, à l'endroit où entre l'air repris, au bas de l'appareil de chauffage.



M14787

Fig. 5. Appareil de chauffage à caissons superposé, dans une armoire. Filtre à air installé sur le côté à la verticale sur l'appareil de chauffage, entre l'appareil de chauffage et la grille de reprise d'air placée dans l'ouverture de la porte de l'armoire.

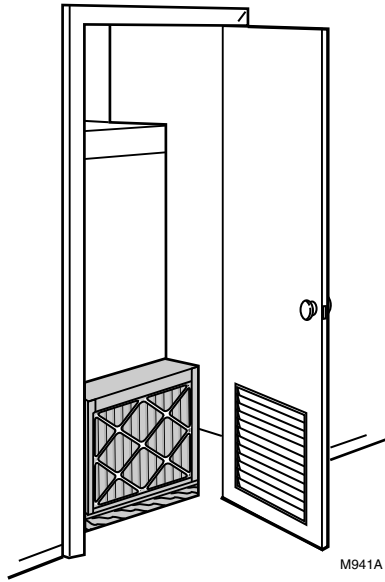


Fig. 6. Appareil de chauffage à caissons juxtaposés. Filtre à air installé à l'horizontale dans le plénum d'air repris juste au-dessus de l'appareil de chauffage, face au plénum d'alimentation.

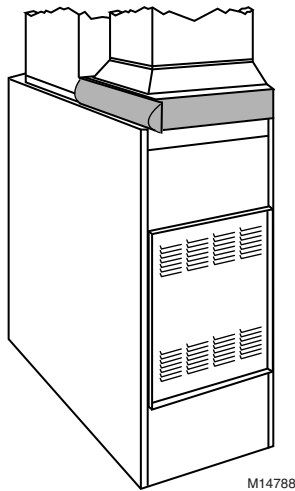


Fig. 7. Appareil de chauffage à contre-courant. Filtre à air installé à l'horizontale dans la gaine de reprise d'air ou dans le plénum juste au-dessus de l'appareil de chauffage.

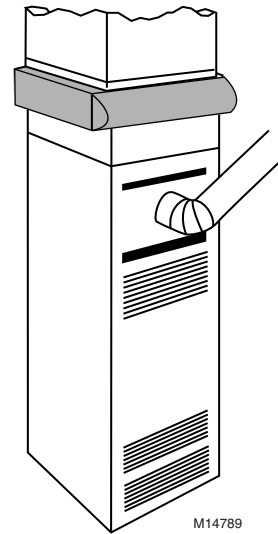


Fig. 8. Appareil de ventilation centrale. Filtre à air installé à l'horizontale dans une gaine de reprise centrale.

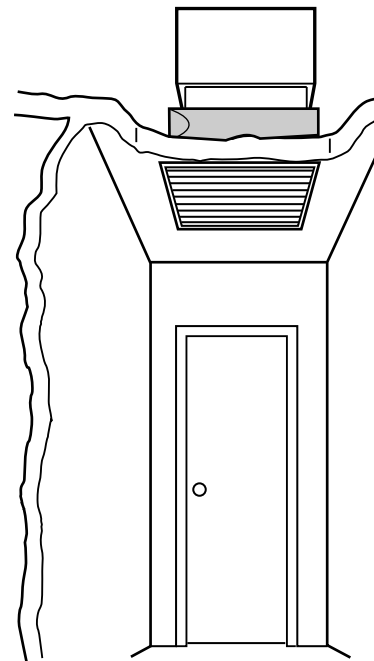
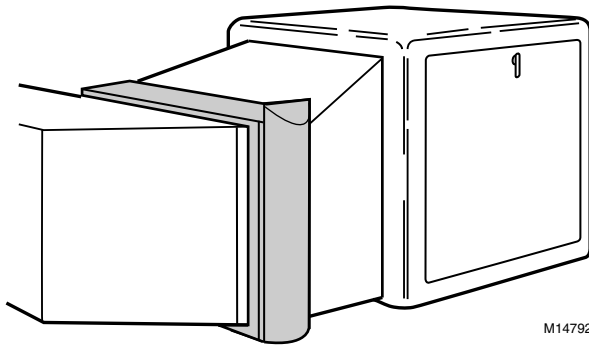


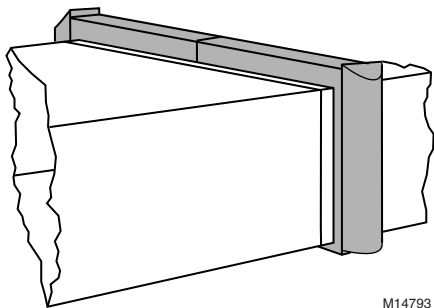
Fig. 9. Appareil de chauffage horizontal. Le filtre à air est monté à la verticale à l'endroit où entre l'air repris près de l'appareil de chauffage.



M14792

Fig. 10. Appareil de chauffage horizontal. Le filtre à air est monté à la verticale à l'endroit où entre l'air repris près de l'appareil de chauffage.

REMARQUE : Lorsqu'il y a plus d'un filtre à air élément filtrant à fibres, il faut un indicateur AIRWATCH^{MC} à radiofréquences par filtre si l'on souhaite communiquer avec chacun des appareils.



M14793

Fig. 11. Deux filtres à air ou plus installés dans un système à haut rendement.

Raccords de gaines requis

Le filtre à air se combine à tout système résidentiel de chauffage, de refroidissement et de ventilation à air pulsé neuf ou en place. Des raccords de transition ou de dérivation et des déflecteurs peuvent être nécessaires pour assurer un meilleur rendement dans certaines applications.

Raccords de transition

Des raccords de transition sont nécessaires lorsque les dimensions de la gaine et du boîtier du filtre à air sont différentes.

1. Les raccords de transition réduisent la turbulence et augmentent l'efficacité. Voir la Fig. 12.
2. L'expansion maximale doit être de 20 degrés (environ 100 mm par 300 mm linéaires [4 po par pied linéaire]) de chaque côté du raccord de transition.

Défecteurs

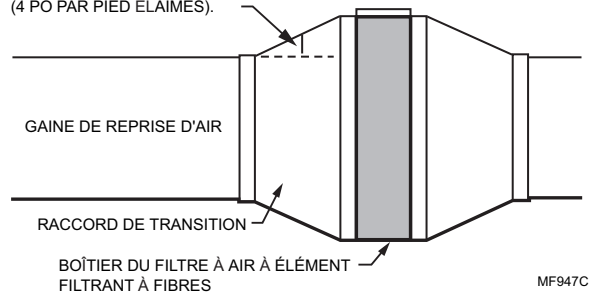
Si le filtre à air est installé près d'un coude (raccord à angle), installer les déflecteurs à l'intérieur du coude pour assurer une distribution d'air plus uniforme à la surface du filtre. Voir la Fig. 13.

Raccords de dérivation

Si le raccord entre la gaine et l'appareil dans le cas d'une installation sur le côté offre un dégagement inférieur à 178 mm (7 po) pour le boîtier du filtre à air, ajouter un raccord de dérivation au coude. Voir la Fig. 14.

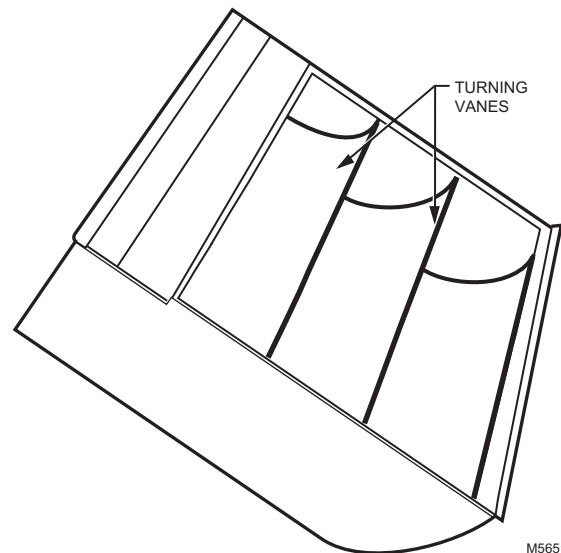
MODIFICATION GRADUELLE DE LA TAILLE DE LA GAINÉ D'AIR EN VUE DE RÉDUIRE LA TURBULENCE.

EXPANSION DE 20 DEGRÉS DE CHAQUE CÔTÉ, PAR RACCORD (100 MM PAR 300 MM ÉLAIMES) (4 PO PAR PIED ÉLAIMES).



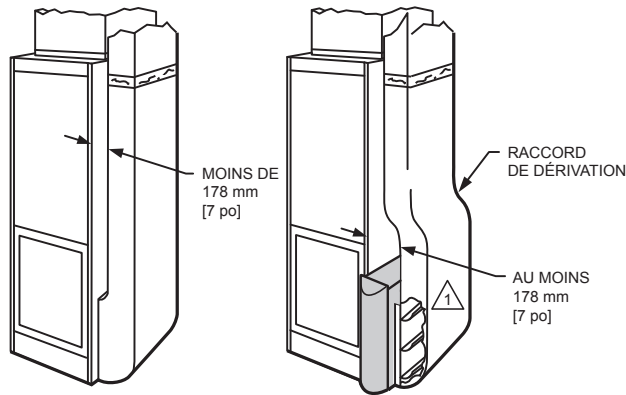
MF947C

Fig. 12. Modification graduelle de la taille de la gaine d'air en vue de réduire la turbulence.



M5651

Fig. 13. Utilisation de déflecteurs pour contribuer à assurer une distribution d'air plus uniforme à la surface du filtre.



1 LES DÉFLECTEURS ASSURENT UNE MEILLEURE RÉPARTITION D'AIR. MF14794

Fig. 14. Utilisation typique d'un raccord de dérivation pour assurer un dégagement suffisant au filtre à air.

INSTALLATION

AVANT D'INSTALLER CE PRODUIT...

1. Lire attentivement les instructions. Le fait de ne pas les suivre risque d'endommager le produit ou de constituer un danger.
2. Vérifier les caractéristiques nominales indiquées dans les instructions et sur le produit, et s'assurer que celui-ci correspond bien à l'application prévue.
3. L'installateur doit être un technicien d'expérience ayant reçu la formation pertinente.
4. Une fois l'installation terminée, vérifier le fonctionnement du produit comme l'indiquent les présentes instructions.

Retirer le filtre de l'appareil de chauffage et nettoyer le compartiment du ventilateur

Avant de procéder à l'installation, retirer et mettre de côté le filtre actuel de l'appareil de chauffage (s'il existe). Nettoyer à fond le compartiment du ventilateur. Si c'est possible, passer l'aspirateur dans le système de gaines pour éliminer la poussière accumulée dans une maison déjà construite ou la saleté due à la construction dans une maison neuve. Le filtre à air ne peut éliminer la poussière accumulée dans le compartiment du ventilateur et les gaines de distribution.

Installer le boîtier

L'installation d'un filtre sur le côté d'un appareil de chauffage à caissons juxtaposés est décrite ci-dessous. D'autres explications sont fournies au besoin. Des modifications peuvent s'avérer nécessaires dans le cas d'un autre système.

Passer en revue le plan de l'installation

Déposer le boîtier sur le sol, orienté comme il le sera une fois l'installation terminée. Insérer et retirer la cartouche pour vérifier que les plans offrent un dégagement suffisant au retrait et au remplacement de la cartouche.

S'assurer d'avoir sous la main des éléments de tôle préfabriqués, comme des déflecteurs.

Fixer le boîtier à l'appareil de chauffage

Aligner le boîtier sur l'ouverture pour la reprise d'air. Placer des blocs sous le boîtier pour que l'appareil soit bien soutenu et de niveau. Percer une ouverture dans l'appareil de chauffage correspondant à celle du boîtier du filtre à air. Fixer solidement le boîtier à l'appareil de chauffage soit directement (voir illustration), soit à l'aide d'un collier de démarrage dans l'appareil de chauffage. Percer des trous et fixer l'appareil à l'aide de rivets ou de vis pour tôle ou utiliser des écrous coulissants. S'il faut percer des trous, utiliser une pince-étau pour maintenir l'appareil en place pendant cette opération.

Installer les déflecteurs

Installer les déflecteurs pour assurer une distribution uniforme de l'air sur toute la surface amont du médium filtrant. Il faut les installer à l'intérieur du coude à 90 degrés, montés directement sur le boîtier du filtre à air.

Fixer le boîtier au système de gaines

Fixer l'autre côté du boîtier sur le coude à l'aide de rivets, de vis pour tôle, ou d'écrous coulissants, au besoin.

Raccorder le filtre à la gaine

Raccorder la section verticale de la gaine au coude. Si la portion verticale de la gaine est à moins de 178 mm (7 po) du côté de l'appareil de chauffage, raccourcir la portion horizontale ou fixer un raccord de dérivation au coude. Voir la Fig. 13. Lorsque la gaine d'air est correctement alignée, raccorder la partie verticale à la partie horizontale.

Sceller les joints

Sceller tous les joints du système de reprise d'air entre le filtre à air et l'appareil de chauffage pour empêcher la poussière de pénétrer dans le courant d'air propre.

Installer la cartouche du filtre

Faire glisser la cartouche du filtre dans le boîtier et vérifier que la flèche figurant sur la cartouche correspond bien au sens d'écoulement de l'air.

Remettre la porte d'accès en place, insérer la languette au bas de la porte dans la fente pratiquée sur le boîtier. Refermer la porte et appuyer pour qu'elle soit solidement en place.

Installation de l'indicateur AIRWATCH^{MC} W8600A

L'indicateur AIRWATCH^{MC} émet un signal lorsqu'il faut remplacer le filtre du F200. Lorsque le filtre devient trop encrassé et qu'il diminue l'écoulement de l'air, des capteurs de pression intégrés au F200 transmettent un signal radio à l'indicateur AIRWATCH^{MC}. L'indicateur AIRWATCH^{MC} peut aussi servir à surveiller l'état du tampon de l'humidificateur et des lampes UV du système de traitement de l'air aux ultraviolets.

Configuration de l'indicateur AIRWATCH^{MC} pour qu'il accepte les signaux du transmetteur du F200 :

1. Placer le récepteur AIRWATCH^{MC} à au moins 6 pieds de la porte du transmetteur dans la porte pour assurer la communication.
2. Appuyer sur le bouton de l'indicateur AIRWATCH^{MC} et le maintenir enfoncé jusqu'à ce que toutes les flèches soient allumées (environ 5 secondes).
3. En moins de deux minutes, appuyer sur le bouton de réarmement situé sur la porte du F200.
4. Observer si les flèches de l'indicateur AIRWATCH^{MC} continuent de clignoter pendant environ deux minutes et si l'appareil se réarme ensuite automatiquement.

Le réglage par défaut de l'indicateur AIRWATCH^{MC} est le suivant : les minuteries du système UV et de l'humidificateur sont hors service, l'indicateur du filtre est toujours en service.

Pour faire afficher les minuteries en service :

1. Appuyer sur le bouton de l'indicateur AIRWATCH^{MC} pendant environ 3 secondes.
2. Observer la flèche qui indique quelles minuteries sont en service.

Pour mettre une minuterie en service :

1. Appuyer sur le bouton de l'indicateur AIRWATCH^{MC} jusqu'à ce que l'appareil voulu soit sélectionné (la flèche pointe vers cet appareil et clignote).
2. Appuyer sur le bouton et le tenir enfoncé jusqu'à ce que la flèche cesse de clignoter.
3. Relâcher le bouton pendant que la flèche est allumée.

Pour mettre une des minuteries hors service :

1. Appuyer sur le bouton de l'indicateur AIRWATCH^{MC} jusqu'à ce que l'appareil voulu soit sélectionné (la flèche pointe vers cet appareil).
2. Appuyer sur le bouton et le tenir enfoncé jusqu'à ce que la flèche s'éteigne (environ 4 secondes).
3. Relâcher le bouton pendant que la flèche est éteinte.

Installation de la pile :

1. Retirer l'indicateur AIRWATCH^{MC} de sa base.
 - a. Appuyer sur la languette sur le rebord inférieur de la base.
 - b. Tirer sur le couvercle par le bas.
2. Installer une pile au lithium CR123A (fournie) dans le porte-pile situé au dos de l'appareil.
3. Observer les segments à cristaux liquides de l'affichage s'allumer.

Choisir un emplacement

L'apparence de l'indicateur AIRWATCH^{MC} s'harmonise à la plus récente gamme de thermostats programmables de luxe Chronotherm^{MC} IV de Honeywell. L'appareil peut aussi être installé à tout autre endroit pratique dans la maison ou près de l'appareil de chauffage. Voir la Fig. 15.

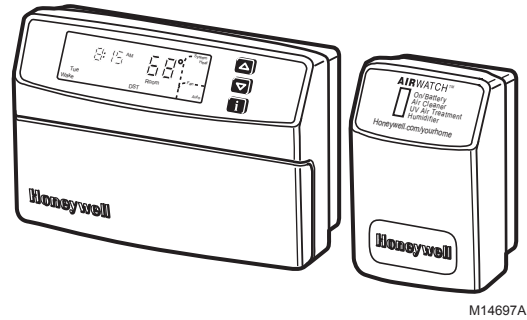


Fig. 15. Choix d'un emplacement.

1. Choisir l'emplacement voulu (à au moins 6 pieds de la porte du transmetteur dans la porte).
2. Vérifier la communication entre le filtre à auto-ionisation F200 et l'indicateur AIRWATCH^{MC} comme suit :
 - a. Placer l'indicateur AIRWATCH^{MC} à l'emplacement choisi. Utiliser du ruban adhésif pour le maintenir en place.
 - b. Au F200, appuyer sur le bouton de réarmement situé sur la porte.
 - c. Vérifier si les flèches de l'indicateur AIRWATCH^{MC} clignotent. (Les flèches clignotent pendant environ deux minutes avant de revenir à la normale.)
3. S'il n'y a pas de réaction à l'indicateur AIRWATCH^{MC}, choisir un autre emplacement dans la maison et reprendre la vérification à l'étape 2.

Installation de l'indicateur AIRWATCH^{MC}

1. Retirer l'indicateur AIRWATCH^{MC} de sa base.
 - a. Appuyer sur la languette sur le rebord inférieur de la base.
 - b. Tirer sur le couvercle par le bas.
2. Placer la base sur le mur à l'endroit choisi; en utilisant les trous de la base comme gabarit, marquer l'emplacement des chevilles et des vis fournies. Marquer également l'emplacement de l'ouverture au centre de la base si une antenne est utilisée.
3. Percer les trous (3/16 po) et insérer les chevilles fournies. Percer un autre trou de 3/16 po destiné à l'antenne externe, selon le cas.
4. Placer la base par-dessus les trous et installer les vis fournies; serrer les vis jusqu'à ce que la base soit fermement fixée au mur.
5. Remettre l'indicateur AIRWATCH^{MC} sur sa base.
 - a. Insérer le fil de l'antenne dans l'ouverture du mur, au besoin.
 - b. Raccrocher le couvercle.
 - c. Appuyer sur le couvercle pour s'assurer qu'il est bien fermé.

Fonctionnement de l'indicateur AIRWATCH^{MC}

L'indicateur comporte un écran à cristaux liquides à quatre segments indicateurs : On/Battery (marche/pile), Air Cleaner (filtre à air), UV Air treatment (système de traitement de l'air aux ultraviolets), et Humidifier (humidificateur). Voir le Tableau 1.

Vérification

Vérifier l'installation visuellement comme suit :

- L'air circule dans le sens indiqué par la flèche figurant sur la cartouche du filtre à air.
- Les déflecteurs et les raccords de transition, le cas échéant, sont bien installés.
- Les joints en tôle entre le filtre à air et l'appareil de chauffage sont scellés.
- Tous les raccords en tôle ont été posés.

- Le filtre original a été retiré et le compartiment du ventilateur a été nettoyé.

Remettre en place toutes les portes d'accès retirées au moment de l'installation.

Faire fonctionner l'appareil de chauffage ou de refroidissement pendant un cycle complet pour vérifier que le système fonctionne comme il se doit.

Tableau 1. Description de l'affichage à cristaux liquides de l'indicateur AIRWATCH^{MC}

État de l'indicateur AIRWATCH ^{MC}	Signification/Mesures à prendre
Aucune flèche n'est allumée.	L'indicateur n'est pas alimenté; remplacer la pile.
Flèche ON/Battery allumée de façon continue.	L'indicateur fonctionne normalement.
Flèche ON/Battery clignotante.	Deux secondes allumée, six secondes éteinte : remplacer la pile dans la porte du F200. N'appuyer sur aucun bouton de réarmement après le remplacement de la pile. Deux secondes allumée, deux secondes éteinte : remplacer la pile de l'indicateur AIRWATCH ^{MC} . N'appuyer sur aucun bouton de réarmement après le remplacement de la pile. Le clignotement alterne et passe de deux secondes allumée, six secondes éteinte à deux secondes allumée, deux secondes éteinte : remplacer les piles des deux appareils. N'appuyer sur aucun bouton de réarmement après le remplacement de la pile.
Flèche du filtre à air clignotante.	L'indicateur a reçu un signal du transmetteur signifiant soit que la chute de pression est trop élevée ou que la période de 12 mois entre deux remplacement de filtre est écoulée. Remplacer le filtre et appuyer sur le bouton de réarmement situé sur la porte du F200.
Flèche du système UV ou flèche de l'humidificateur clignotante.	Il faut remplacer les lampes du systèmes UV ou le tampon de l'humidificateur. Effectuer le remplacement requis. À l'indicateur AIRWATCH ^{MC} , appuyer sur le bouton et le relâcher jusqu'à ce que la flèche de l'appareil voulu clignote. Appuyer à nouveau sur le bouton et le retenir jusqu'à ce que la flèche soit allumée sans interruption, puis relâcher le bouton.
Toutes les flèches clignotent.	L'appareil procède à une auto-vérification. Les flèches clignotent pendant deux minutes, puis l'indicateur se remet automatiquement en marche.

FILTRE À AIR À AUTO-IONISATION F200



Tableau 2. Liste des pièces du F200.

N ^o	Description	F200E1003 16 x 20 en po	F200E1029 16 x 25 en po	F200E1011 20 x 20 en po	F200E1037 20 x 25 en po
1	Filtre de recharge	FC200E1003	FC200E1029	FC200E1011	FC200E1037
2	Porte avec transmetteur RF	32004876-002	32004876-002	32004876-001	32004876-001
3	Récepteur RF AIRWATCH ^{MC}	W8600B1005	W8600B1005	W8600B1005	W8600B1005

Solutions de régulation et d'automatisation

Honeywell International Inc.
1985 Douglas Drive North
Golden Valley, MN 55422

Honeywell Limited-Honeywell Limitée
35, Dynamic Drive
Toronto (Ontario) M1V 4Z9
customer.honeywell.com

Honeywell

© Marque de commerce déposée aux É.-U.
© 2011 Honeywell International Inc.
Tous droits réservés
68-0238EF—04 M.S. Rev. 06-11
Imprimé aux États-Unis