

Features

- Brass construction.
- Quarter-turn washerless ceramic disc valves.
- For 4" (102 mm) centers.
- 4" (102 mm) spout reach.
- Pop-up drain with lift rod and tailpiece.
- Standard aerator.
- Standard handles.
- 1.5 gal/min (5.7 l/min) maximum flow rate [max at 60 psi (4.14 bar)].

Optional Products/Accessories

1160595 .35 gpm Aerator, Medium



Codes/Standards

ASME A112.18.1/CSA B125.1

NSF/ANSI 61

NSF/ANSI 372

All applicable US Federal and State material regulations

DOE - Energy Policy Act 1992

EPA WaterSense®

ICC/ANSI A117.1


KOHLER® Faucet Lifetime Limited Warranty

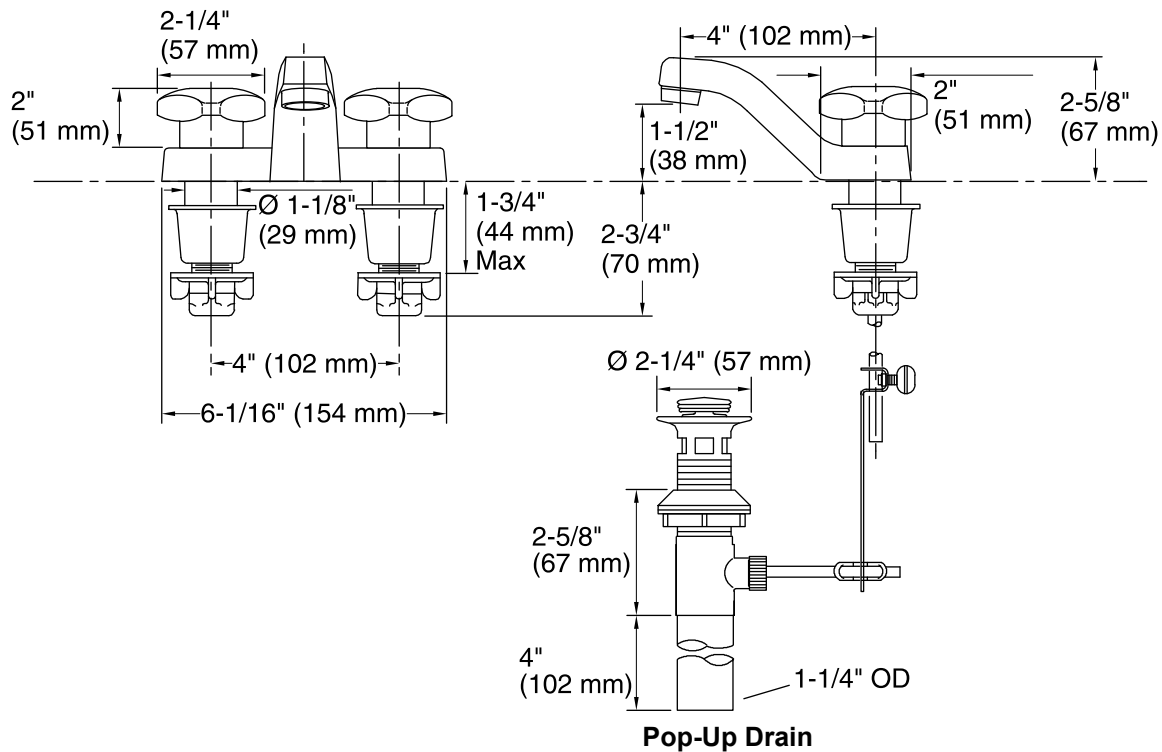
See website for detailed warranty information.

Available Colors/Finishes

Color tiles intended for reference only.

Color	Code	Description
-------	------	-------------

	CP	Polished Chrome
--	----	-----------------



Technical Information

All product dimensions are nominal.

Faucet:

Flow rate: 1.5 gal/min (5.7 l/min)

Pressure: 60 psi (4.1 bar)

Drain included: Yes

Drain tailpiece included: Yes

Spout:

Spout reach: 4" (102 mm)

Handle clearance: 1-1/8" (29 mm)

Notes

Install this product according to the installation guide.