



# Underscore® Oval

## Freestanding BubbleMassage™ Air Bath

### K-5702-G



#### Features

- 122 airjets release thousands of bubbles that surround, support, and massage the body.
- Variable-speed blower lets you adjust massage intensity to 18 levels.
- Lighted keypad.
- Freestanding design creates a striking focal point in your bathing area.
- Oval-shaped basin offers a graceful and spacious bathing experience.
- Dual lumbar support accommodates two-person bathing.
- Wide ledge on one side is ideal for deck-mount faucet and/or handshower.
- Slotted overflow allows for deep soaking.
- Automatic purge cycles remove residual water from air channels after use.
- Requires K-7271 or K-7272 Clearflo slotted overflow bath drain (sold separately).
- Center drain.

#### Material

- Acrylic

#### Hydrotherapy

- BubbleMassage

#### Installation

- Freestanding
- Requires remote installation of the blower.

#### Required Accessories

K-7271 Brass Slotted Overflow Bath Drain

or

K-7272 PVC Slotted Overflow Bath Drain

#### Recommended Accessories

K-24916 Wireless Music Kit



#### Codes/Standards

ASME A112.19.7/CSA B45.10

CSA B45.5/IAPMO Z124

UL 1795

Greenguard UL 2818 - Gold

#### KOHLER® Plastic Baths and Receptors

#### Lifetime Limited Warranty

#### KOHLER® Hydrotherapy Components




#### Five-Year Limited Warranty

See website for detailed warranty information.

#### Available Color/Finishes

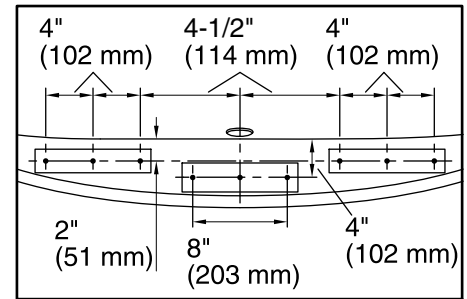
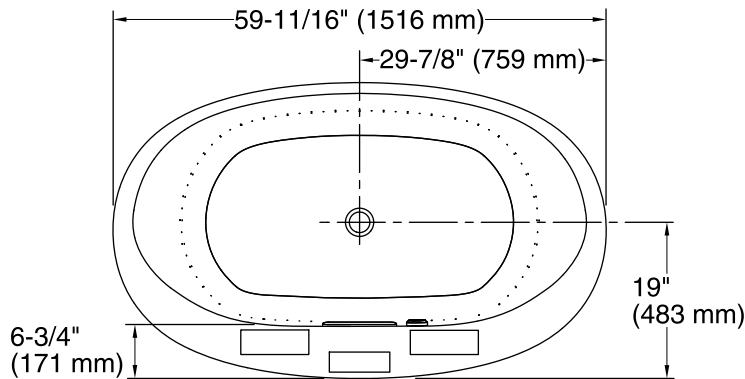
*Color tiles intended for reference only.*

#### Color Code Description

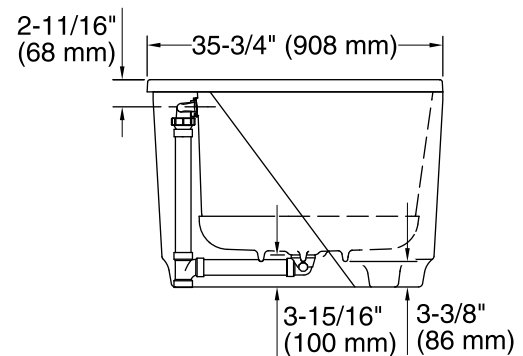
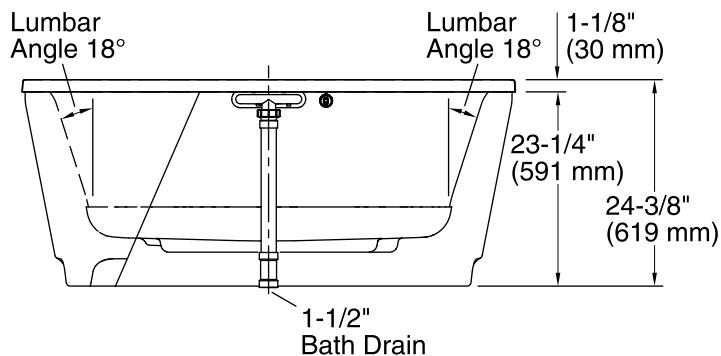
|  |    |         |
|--|----|---------|
|  | 0  | White   |
|  | 96 | Biscuit |
|  | NY | Dune    |

No change in measurements if connected with drain illustrated. (K-7272)

 Recommended Faucet Location



**Recommended Faucet Hole Location**



### Required Electrical Service

One dedicated circuit required, protected with Class A Ground-Fault Circuit-Interrupter (GFCI) or Residual Current Device (RCD).

Blower: 120 V, 15 A, 60 Hz

### Technical Information

All product dimensions are nominal.

Installation: Freestanding  
 Drain location: Center  
 Basin area, bottom: 43" x 25-5/8" (1093 mm x 651 mm)  
 Basin area, top: 55-9/16" x 28-3/8" (1411 mm x 720 mm)  
 Weight: 94.5 lbs (42.9 kg)  
 Minimum floor load: 45.4 lbs/ft<sup>2</sup> (221.7 kg/m<sup>2</sup>)  
 Water depth: 16-5/16" (415 mm)  
 Water capacity: 72.017 gal (272.6 L)  
 Template: Footprint, 1265462, not required, not included  
 Electrical component rating: Blower: 120 V, 10 A, 60 Hz  
 Blower speed: Variable

### Notes

Measure your actual product for rough-in details. Install this product according to the installation instructions.

The hot water supply should be 70% of the capacity of the bath or greater. Installations will vary.

Remote blower installation is required. Relocation kit is included.

If installing a rim-mount faucet, make sure there is no interference above or below the deck before drilling any holes.